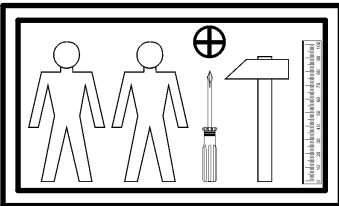
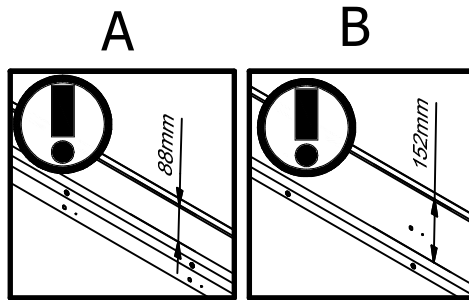
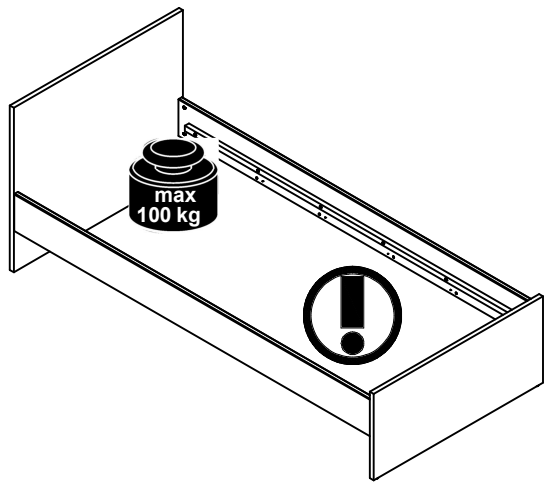
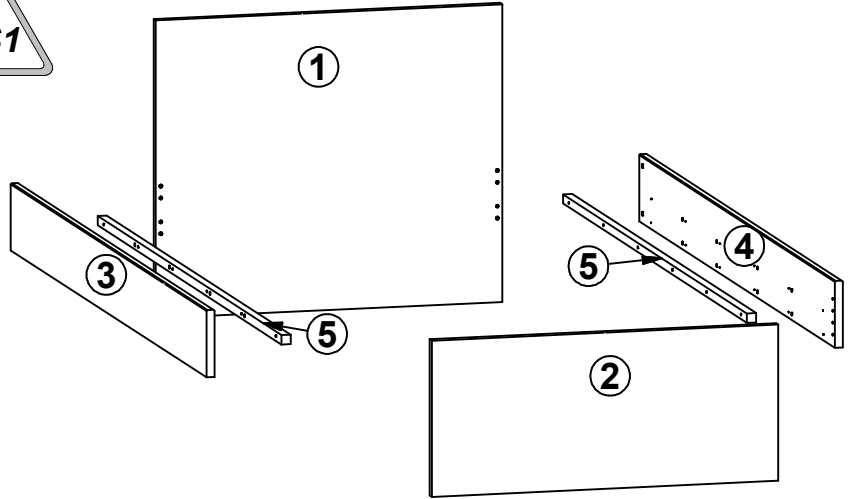


A	B	C	D	
1	S382-4001	950	800	1/2
2	S382-4002	950	420	1/2
3	S382-4003	2000	180	2/2
4	S382-4004	2000	180	2/2
5	ZZ1-747	1880	25	2/2

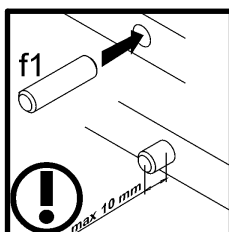
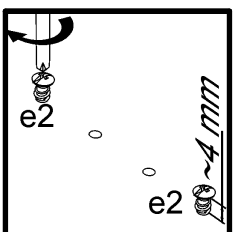
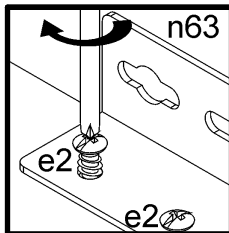
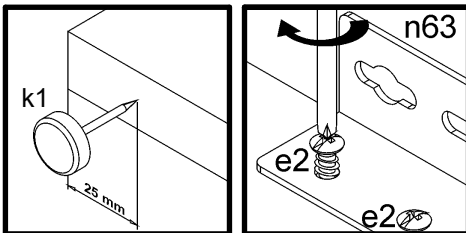
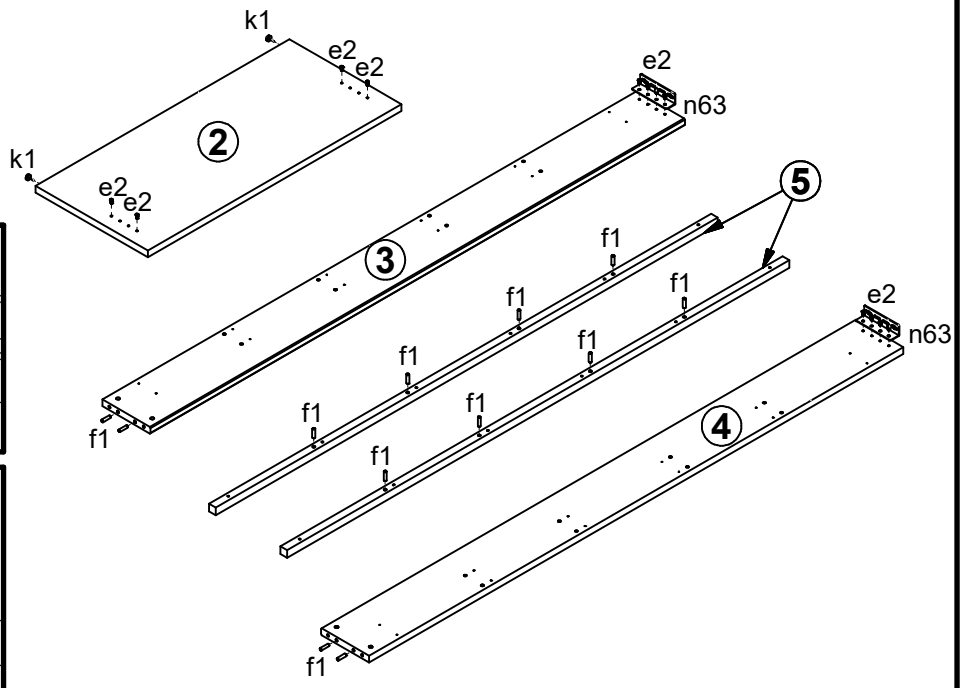


A/B

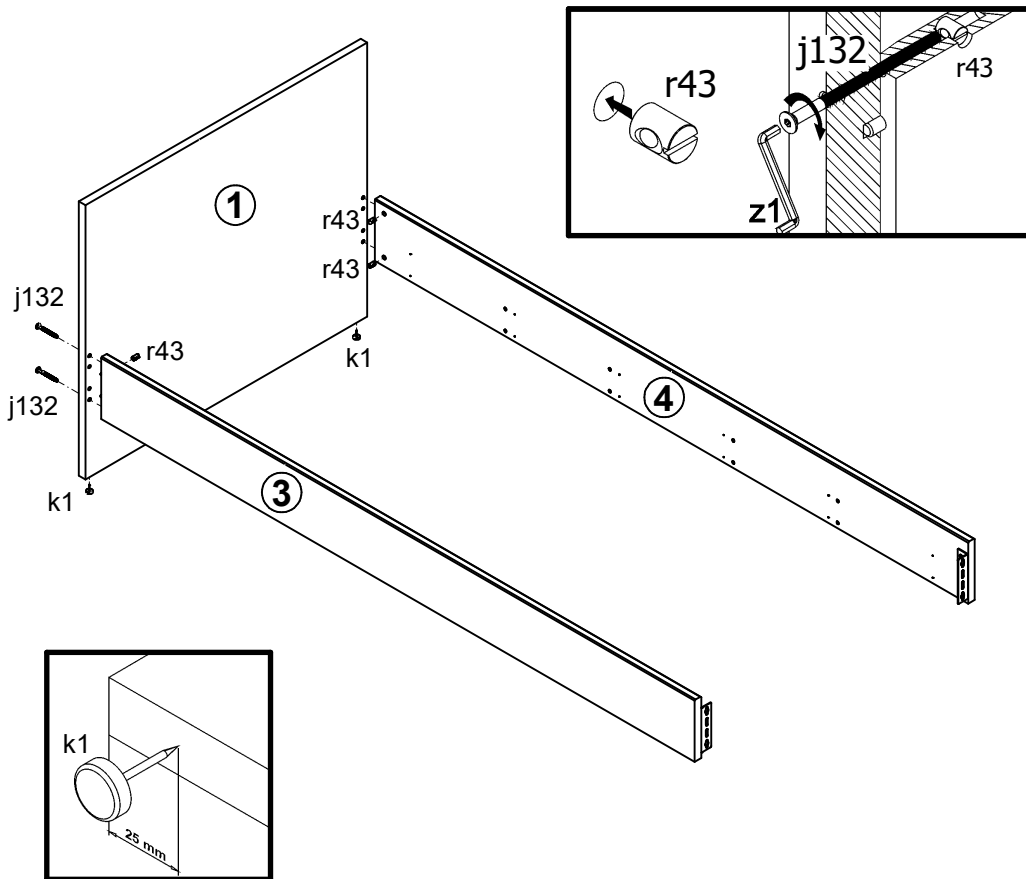


- 16x **e2**
Ø6.3x13 mm
- 12x **f1**
Ø8x30 mm
- 4x **j132**
M6x65 mm
- 4x **k1**
- 2x **n63**
130x34x34/2 mm
- 12x **p10**
Ø4x40 mm
- 6x **p6**
Ø4x35 mm
- 4x **r43**
Ø10x16 mm
- 1x **z1**
4 mm

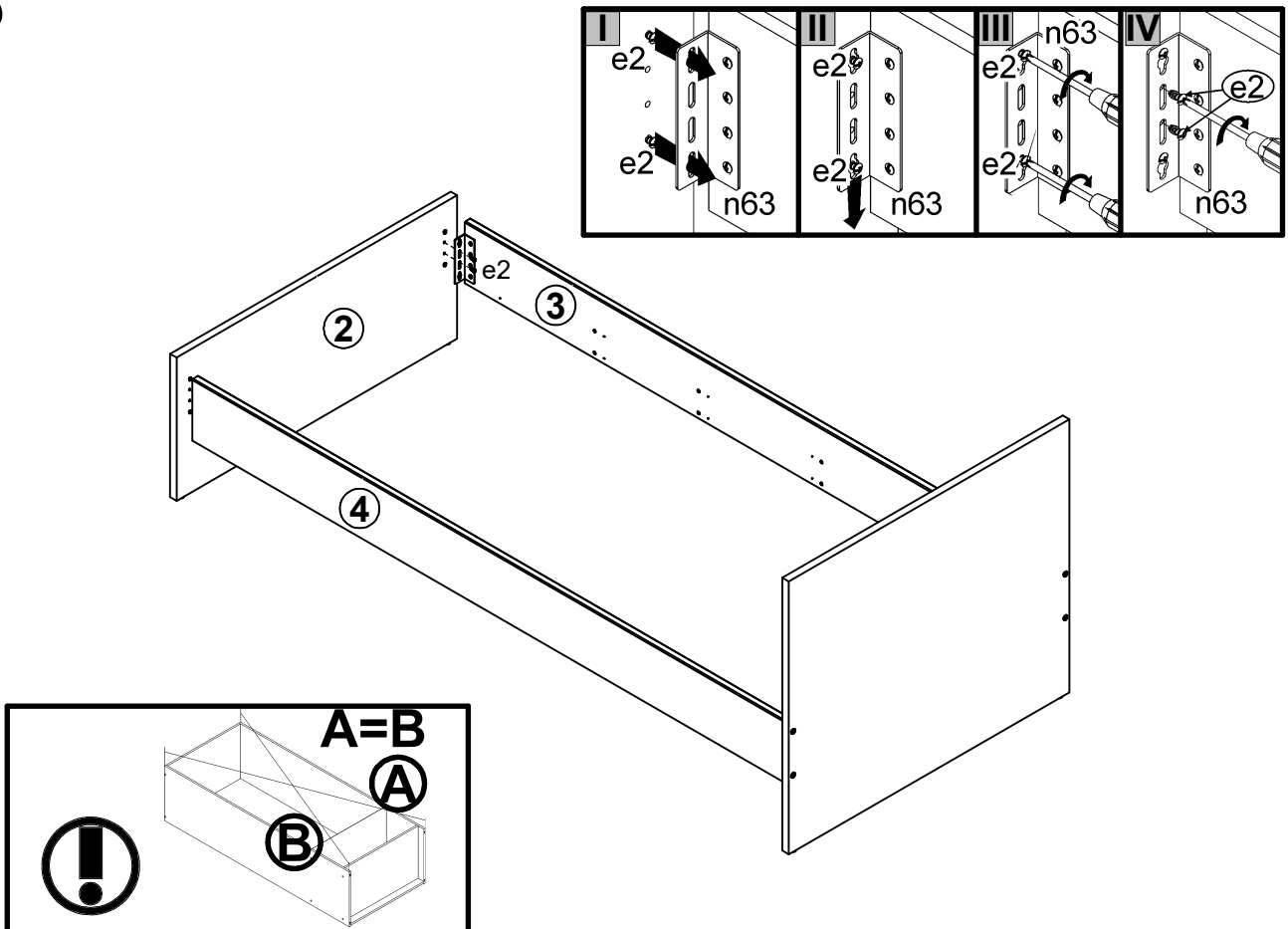
1



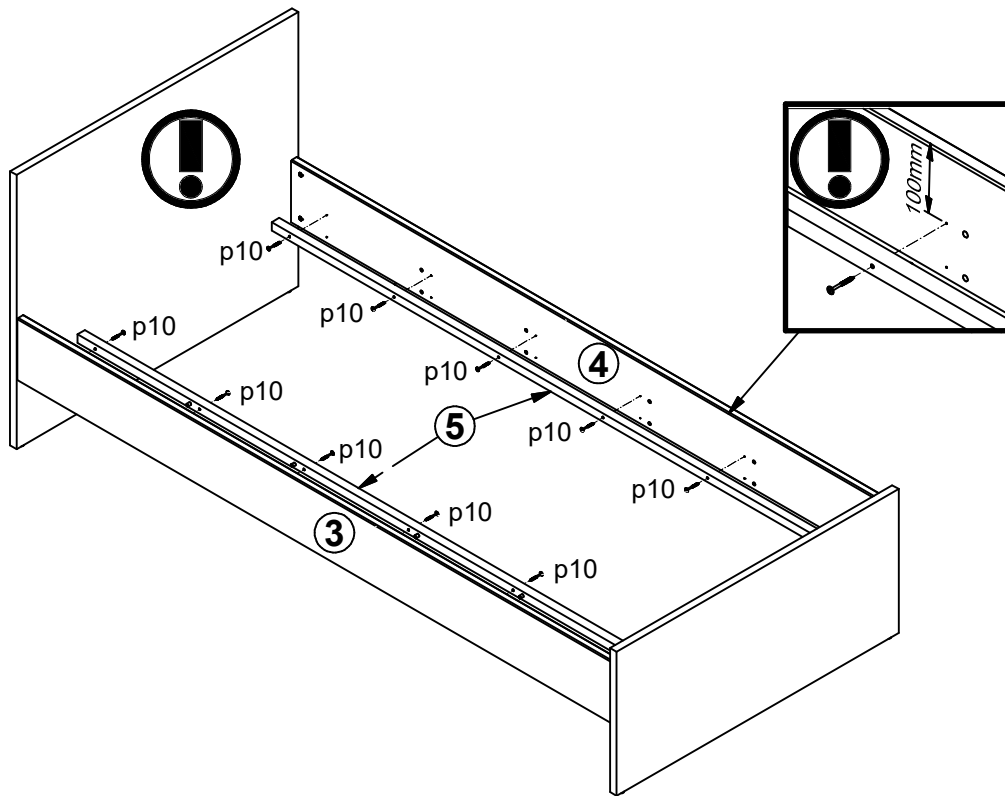
2



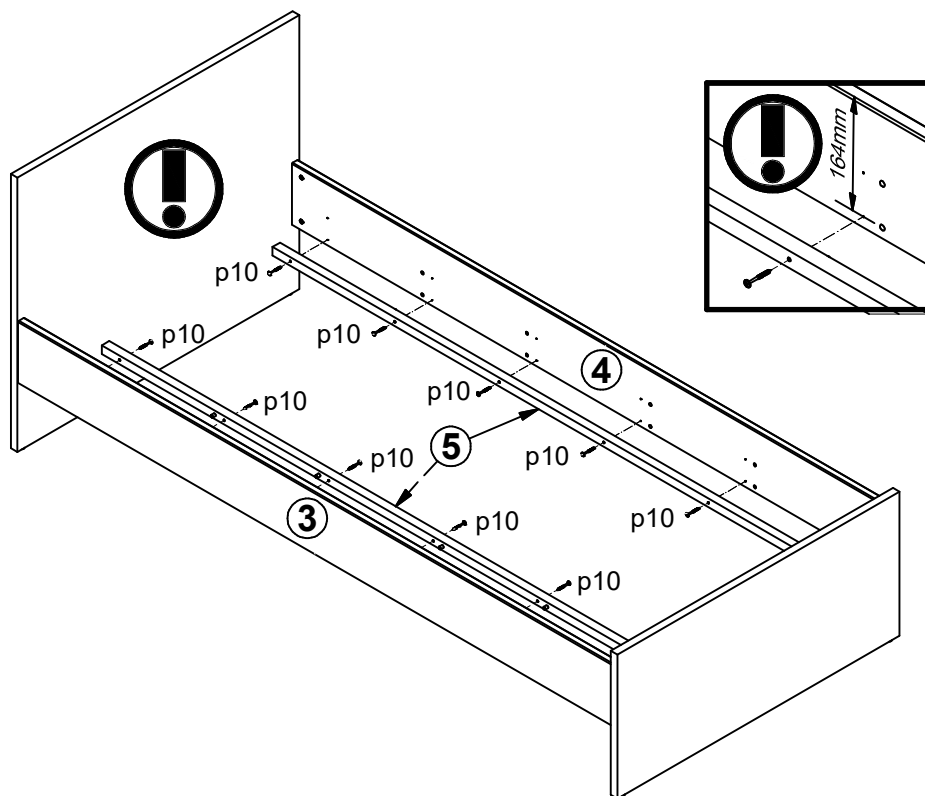
3



4A



4B



5

