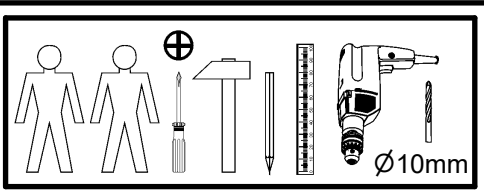
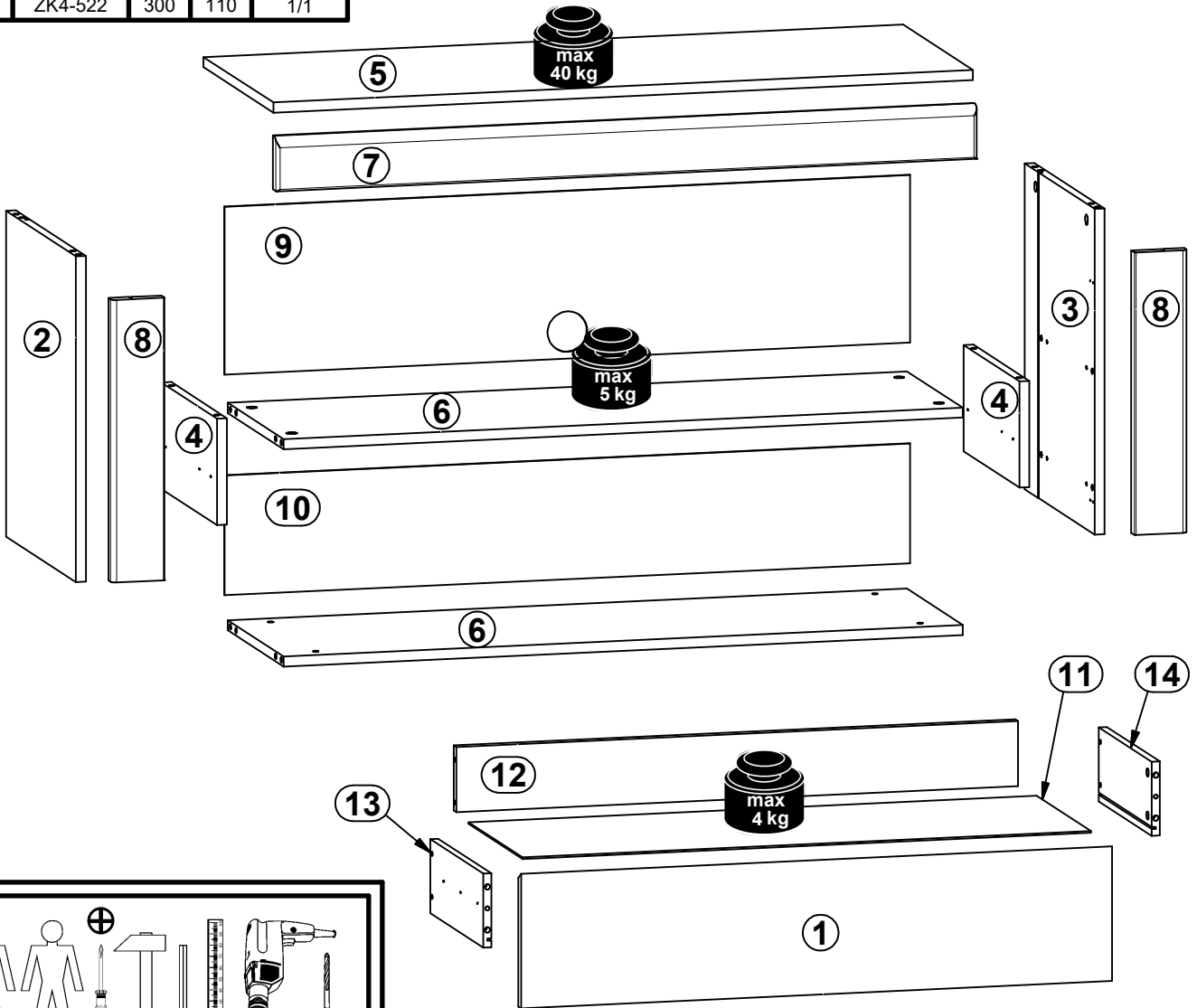
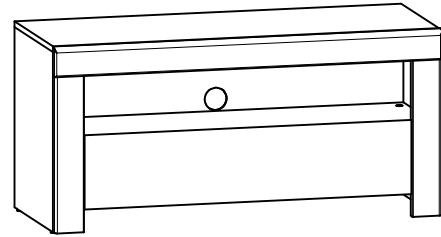
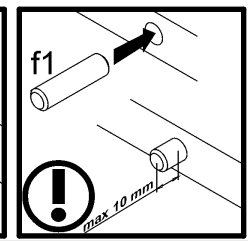
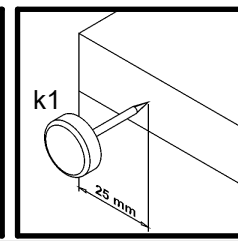
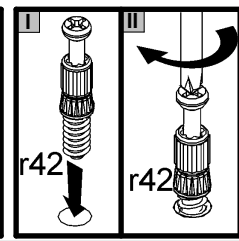
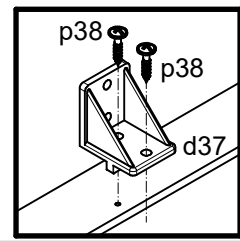
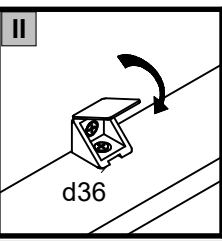
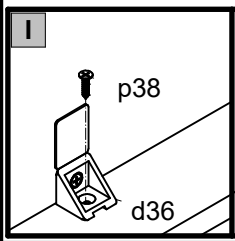
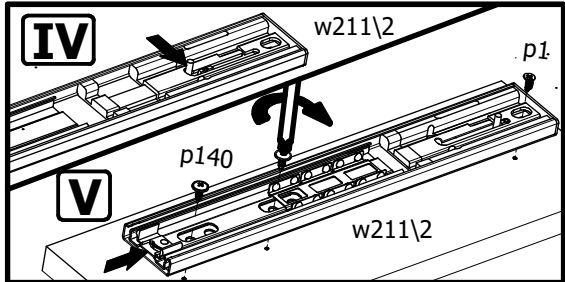
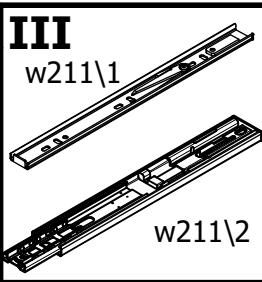
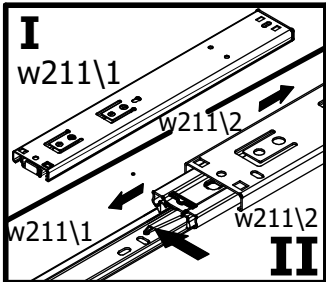
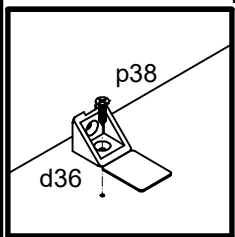
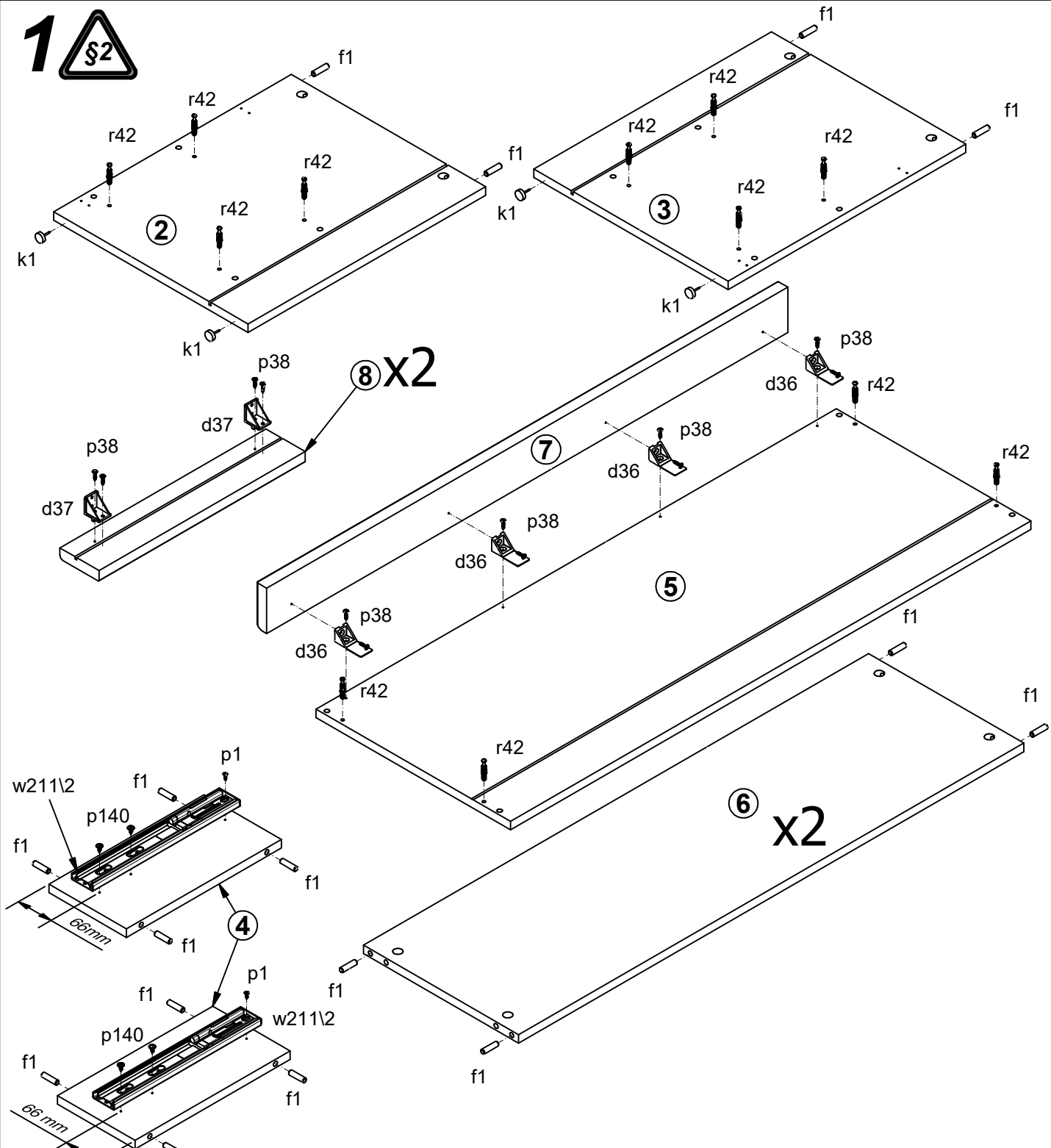


A	B	C	D	
1	S440-0018	896	200	1/1
2	S440-1033	484	396	1/1
3	S440-1034	484	396	1/1
4	S440-1035	158	316	1/1
5	S440-2009	1060	396	1/1
6	S440-3022	1029	316	1/1
7	S440-5037	1062	80	1/1
8	S440-5039	420	80	1/1
9	S440-9011	1039	249	1/1
10	S440-9012	1039	178	1/1
11	S440-9013	861	307	1/1
12	ZK3-5062	851	97	1/1
13	ZK4-521	300	110	1/1
14	ZK4-522	300	110	1/1

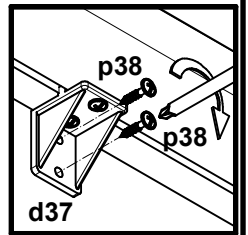
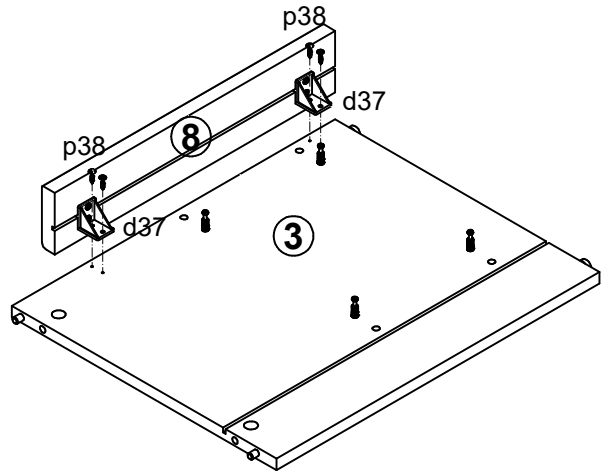
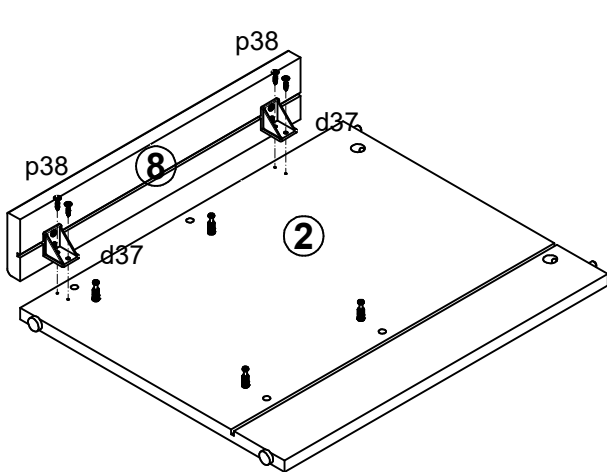


4x d36	4x d37	20x Ø8x30 mm f1	4x Ø6,5x40 mm f25	2x Ø6x30 mm f9	4x k1	10x 1,4x20 mm l1	6x l2	5x 22x9,5x20,7 mm n108
2x Ø3,5x13 mm p1	10x Ø3,5x12 mm p140	1x Ø3,5x16 mm p25	1x Ø3,5x10 mm p35	30x Ø3,5x16 mm p38	5x Ø2,9x16 mm p55	12x Ø15x12 mm #16 r1	4x Ø12x10,5 mm #12 r15	16x 20/11 r42
1x 300 mm t25	2x L=300 mm w211\1	2x L=300 mm w211\2	4x Ø16 s2					
						1x n26\1		1x Ø3,5x16 mm p38

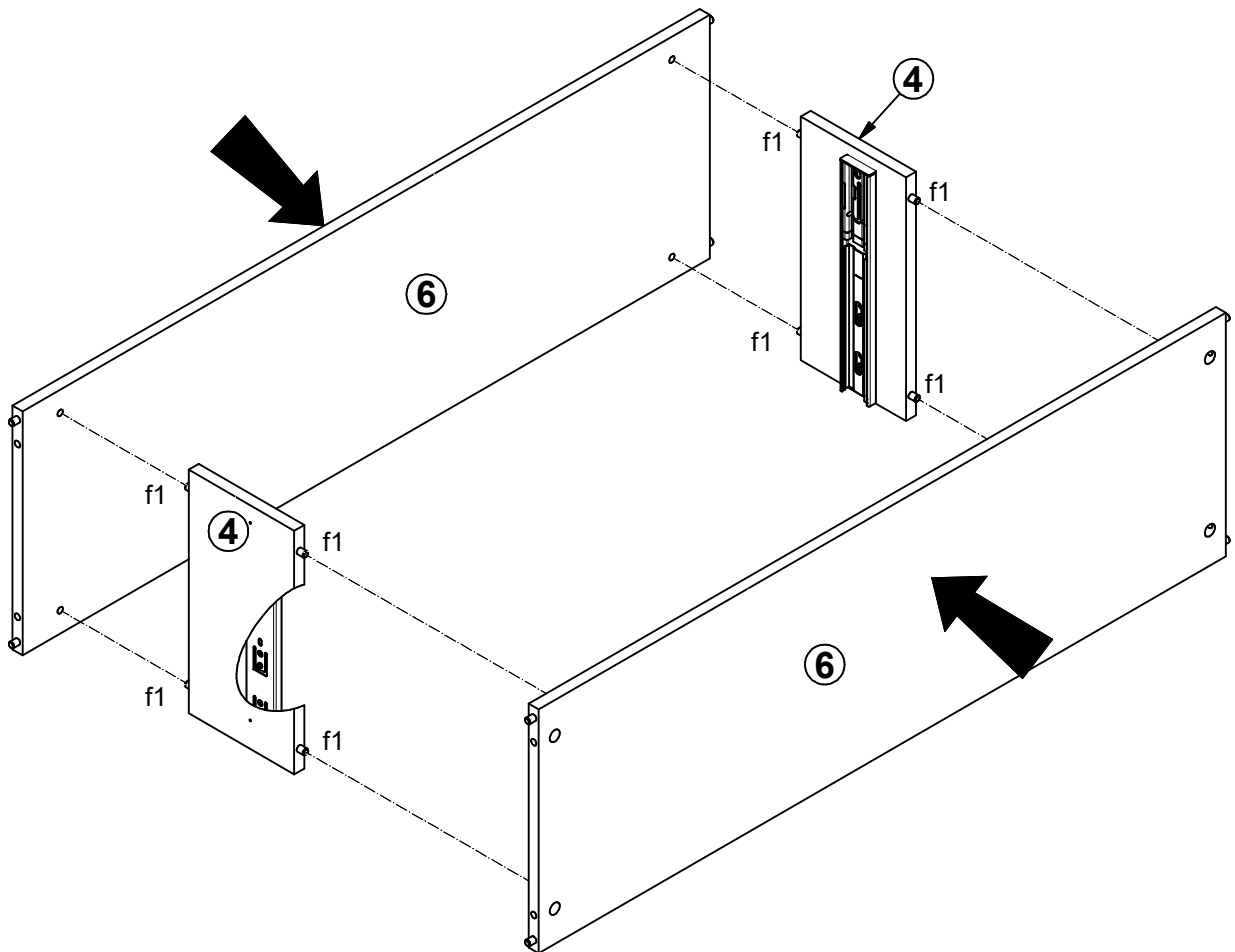
1 



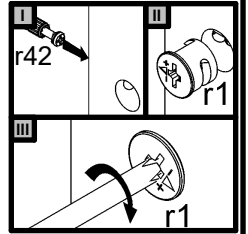
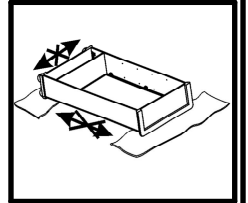
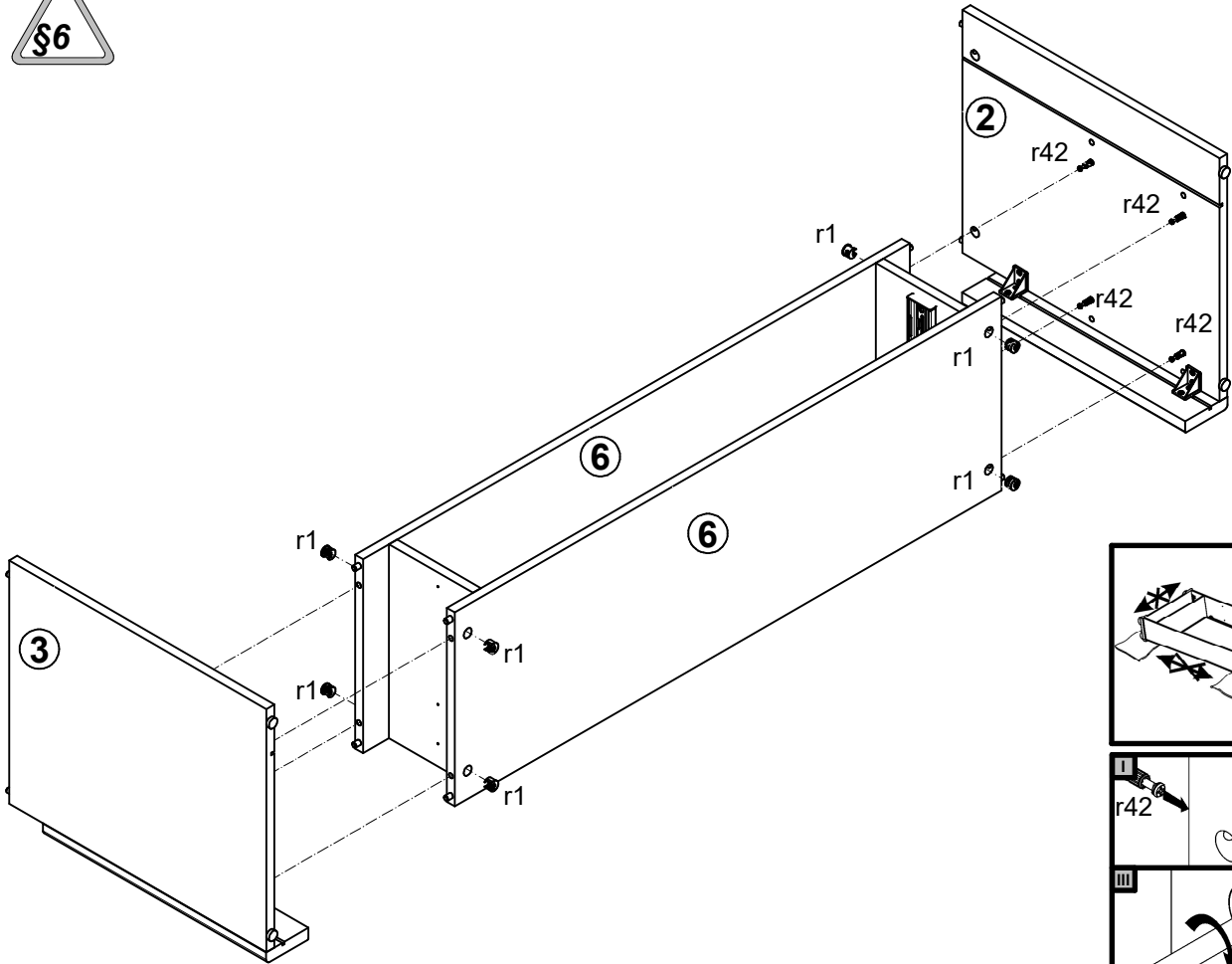
2



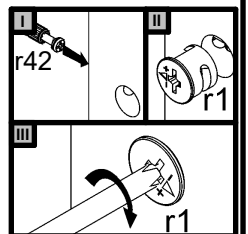
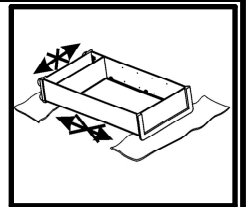
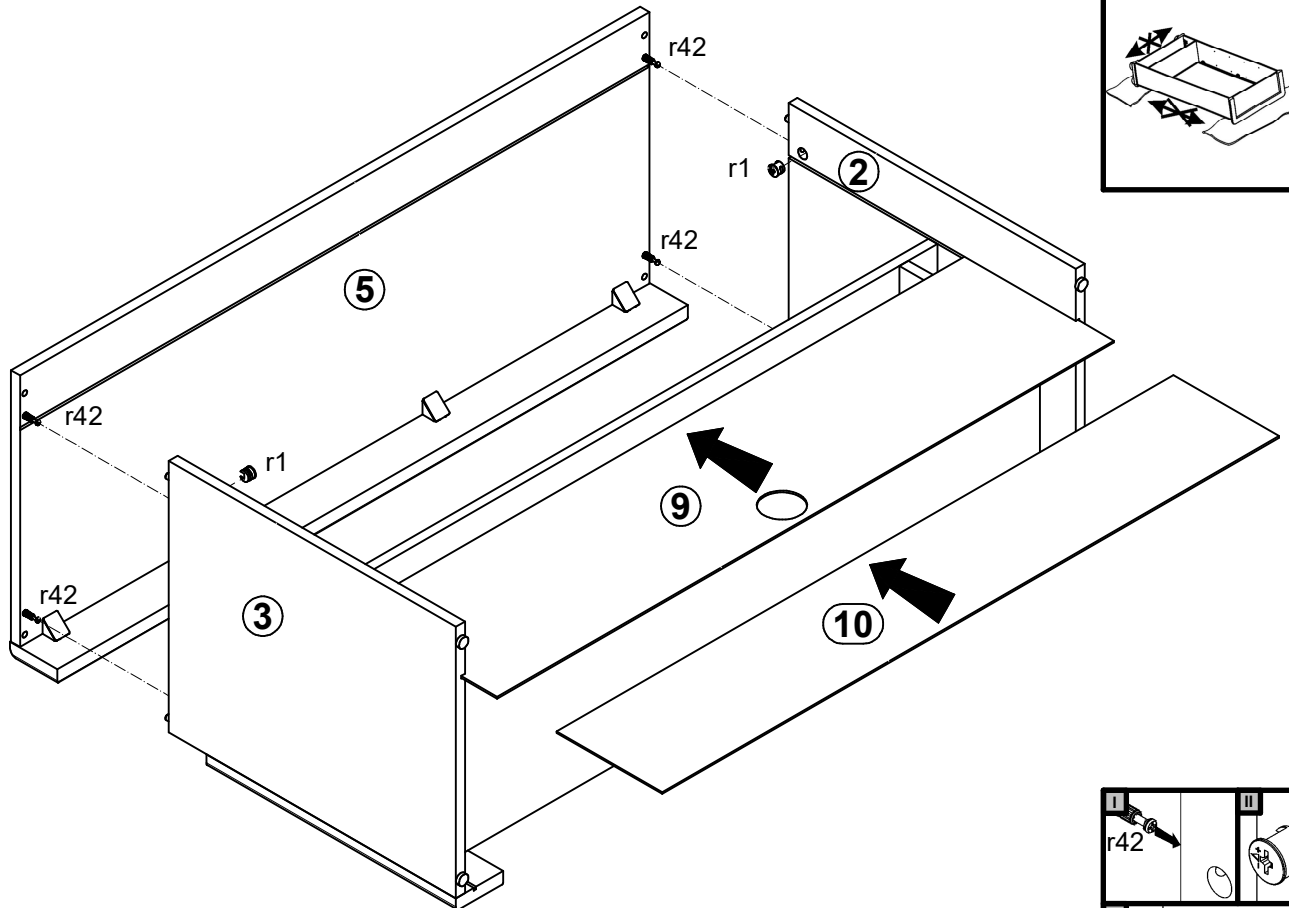
3



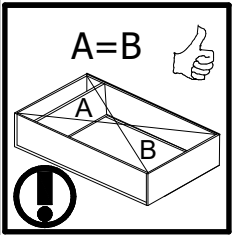
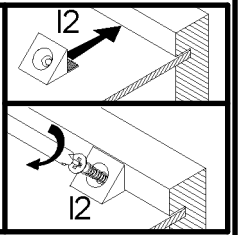
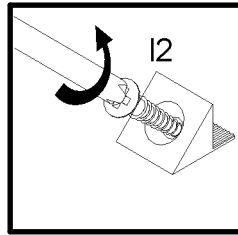
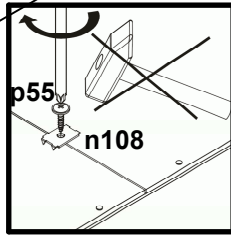
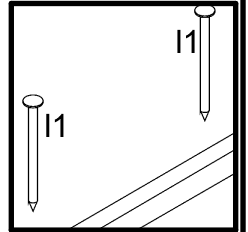
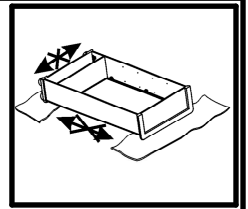
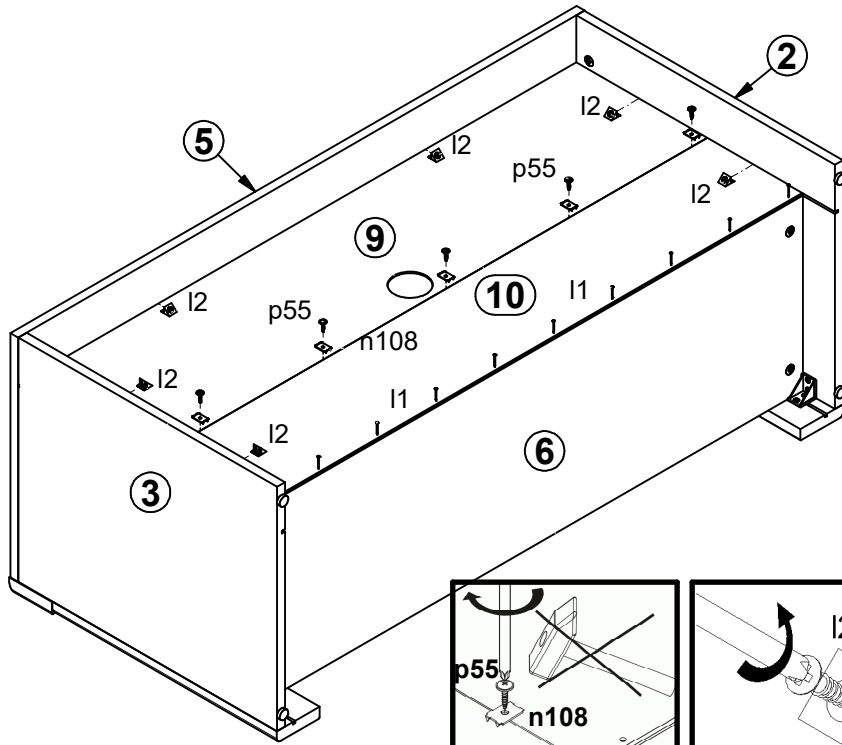
4 



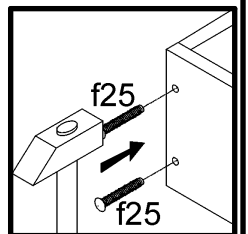
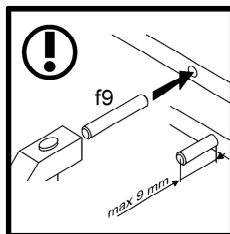
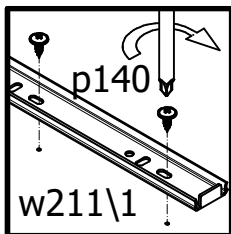
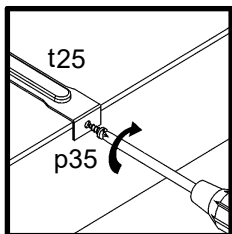
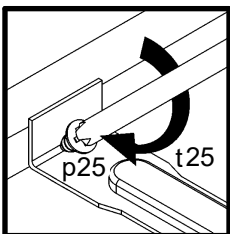
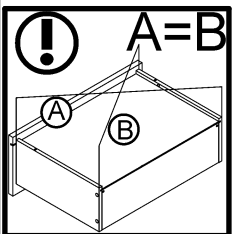
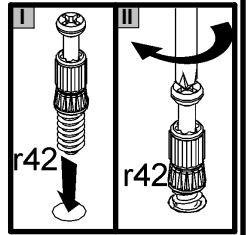
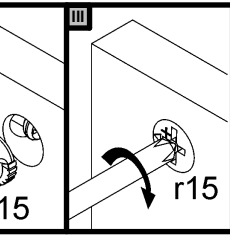
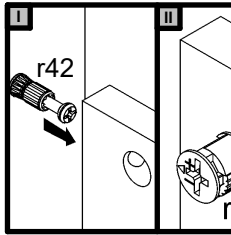
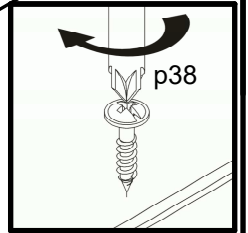
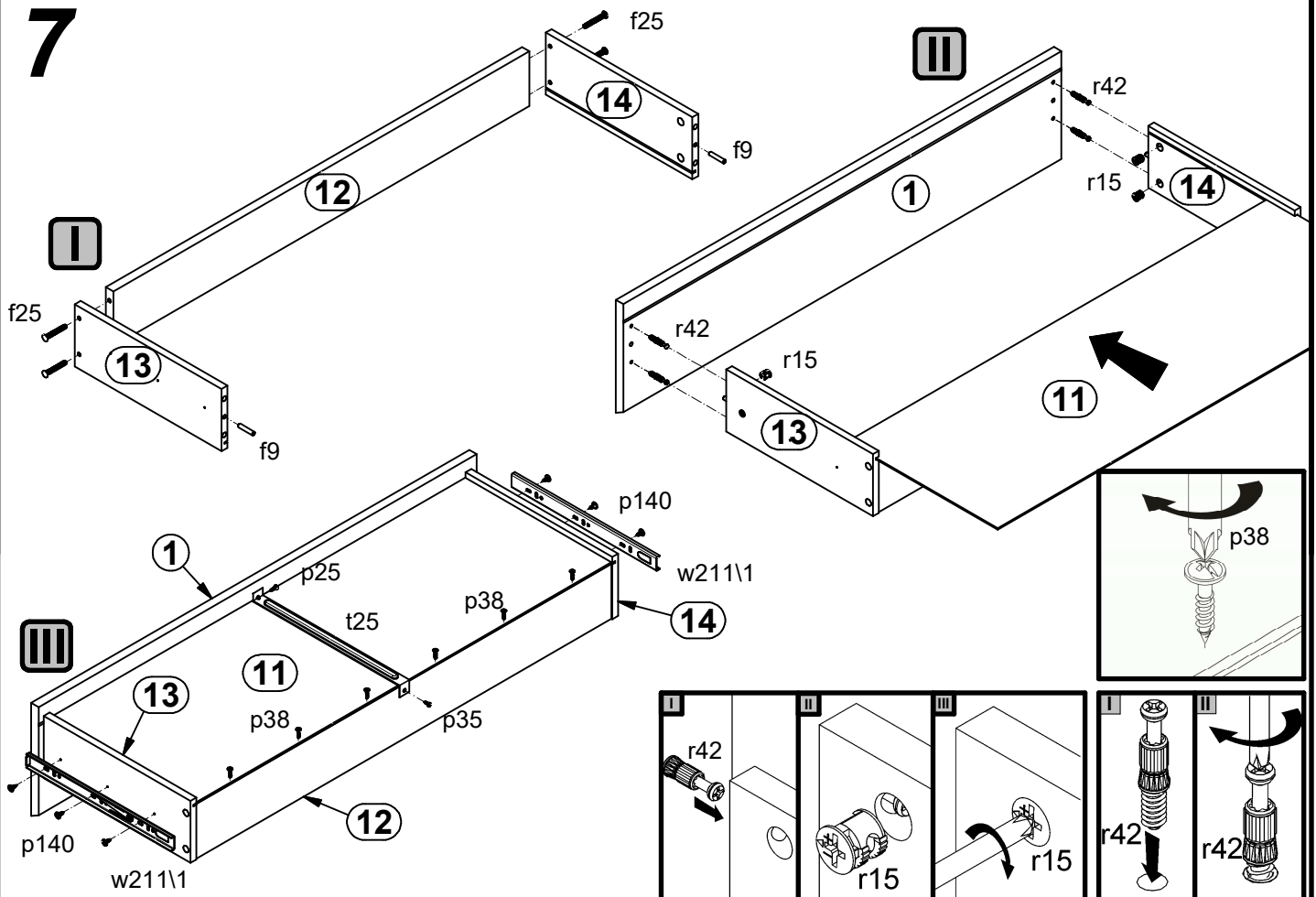
5



6



7



8

