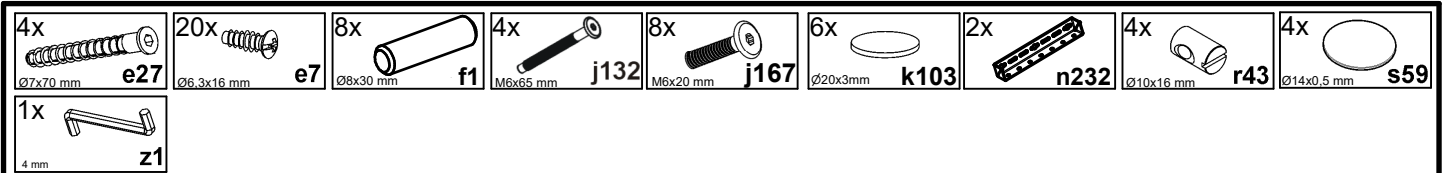
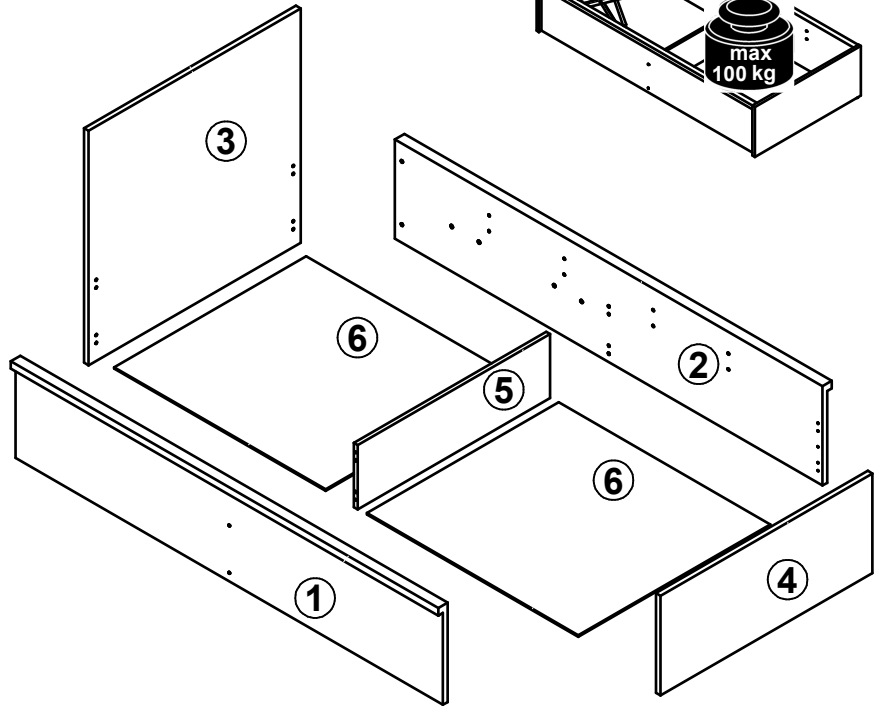
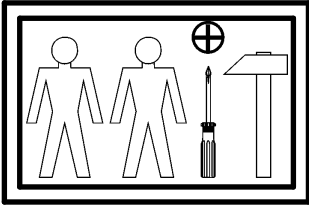
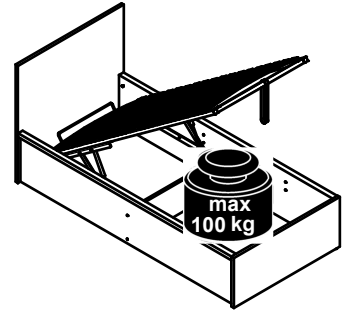


A TETRIX

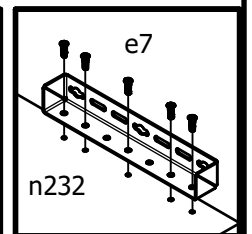
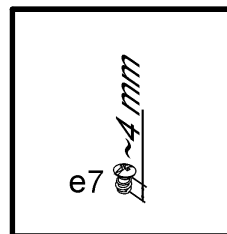
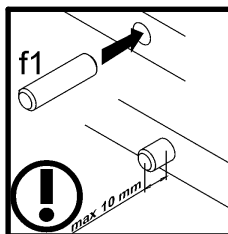
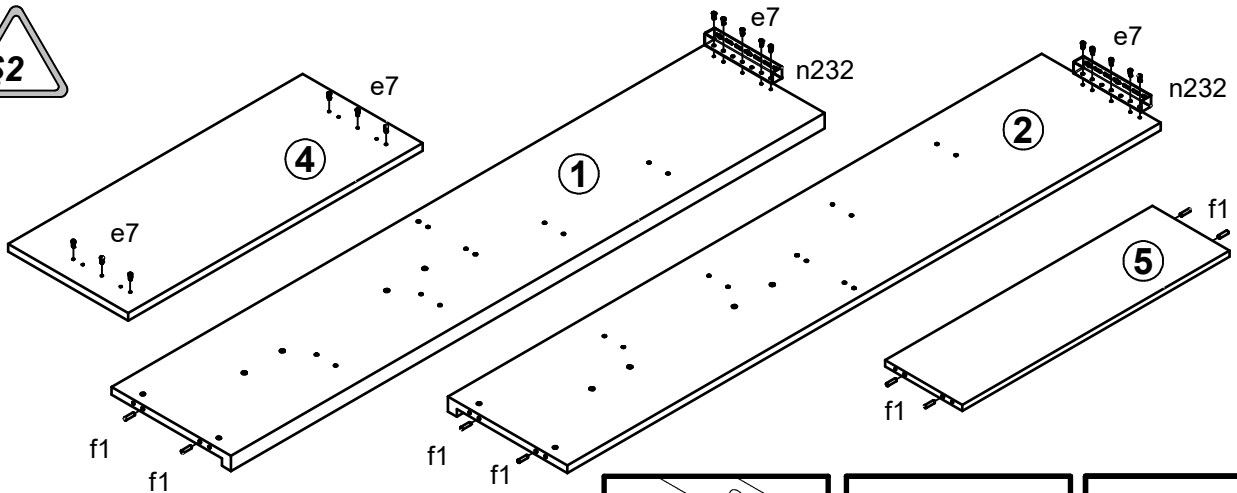
A	B	C	D	
1	S442-1001	2000	402	2/3
2	S442-1002	2000	402	2/3
3	S442-4010	992	950	1/3
4	S442-4011	992	404	1/3
5	S442-4012	900	260	3/3
6	S442-9004	898	989	3/3



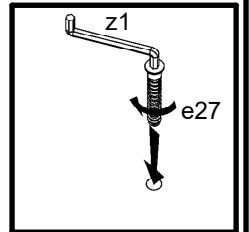
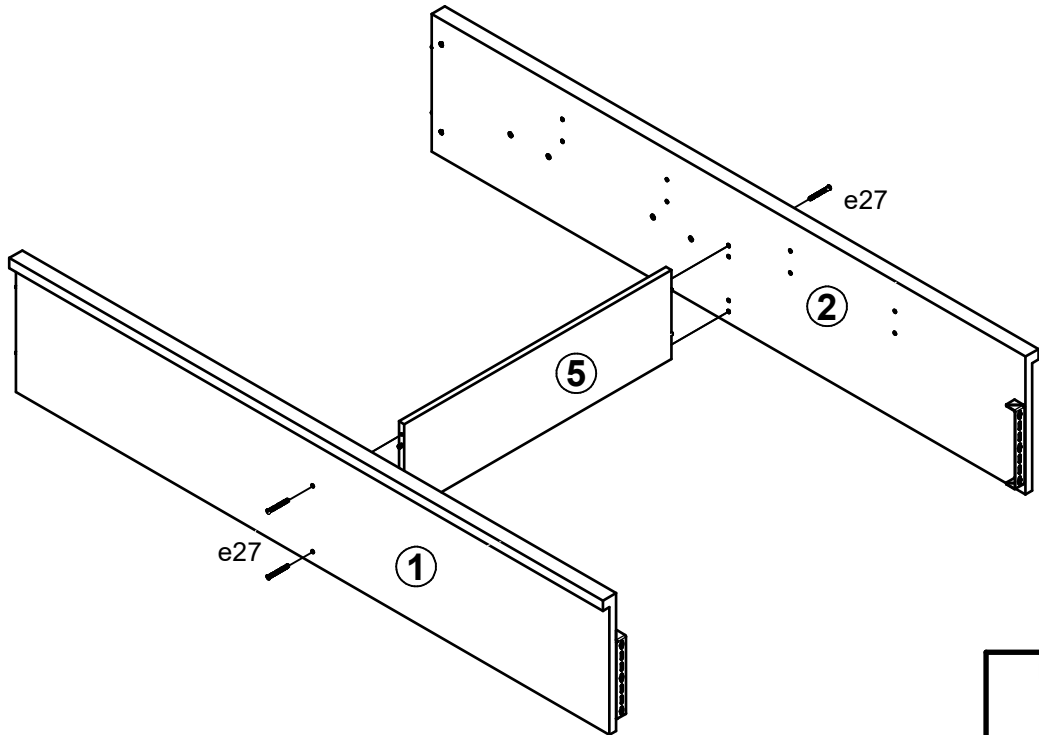
S442-LOZ/90/B



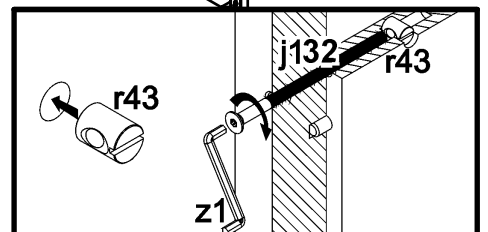
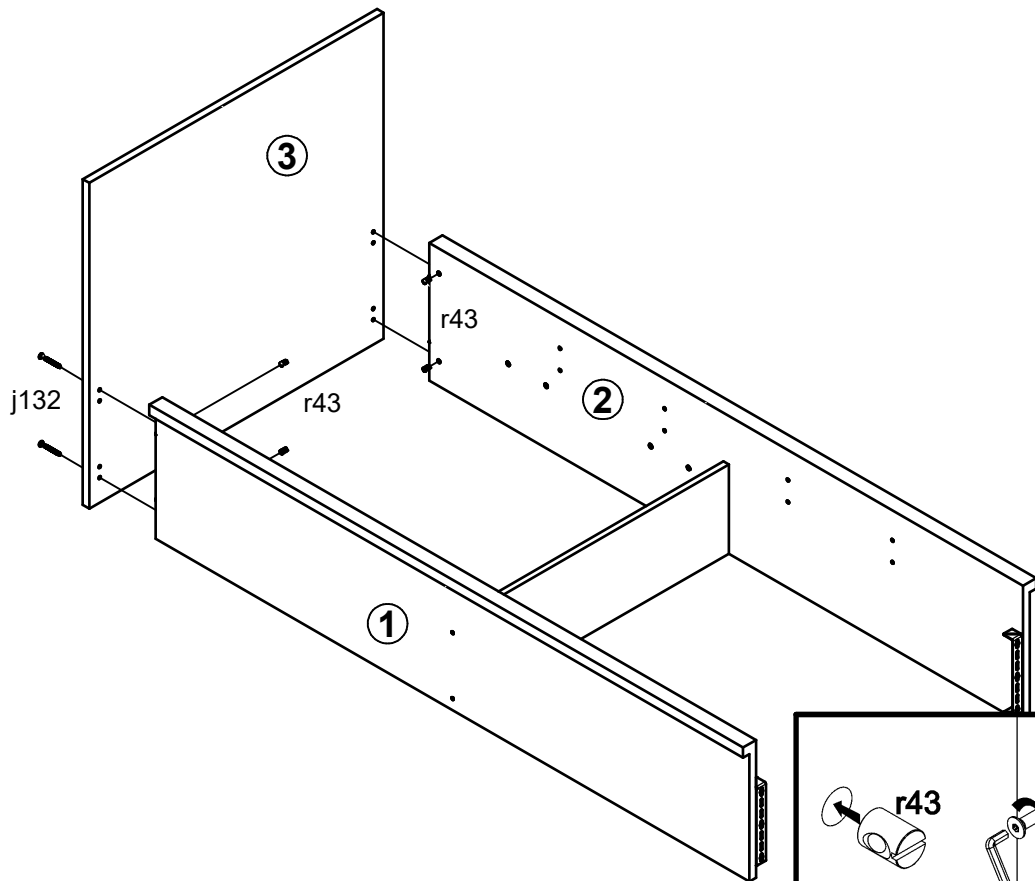
1 §2



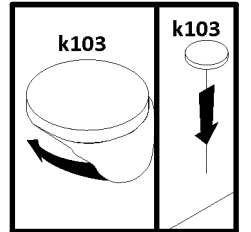
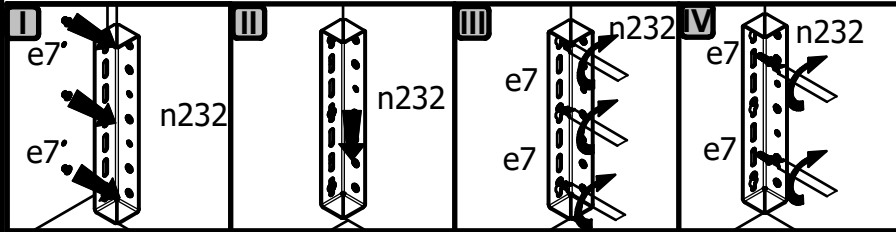
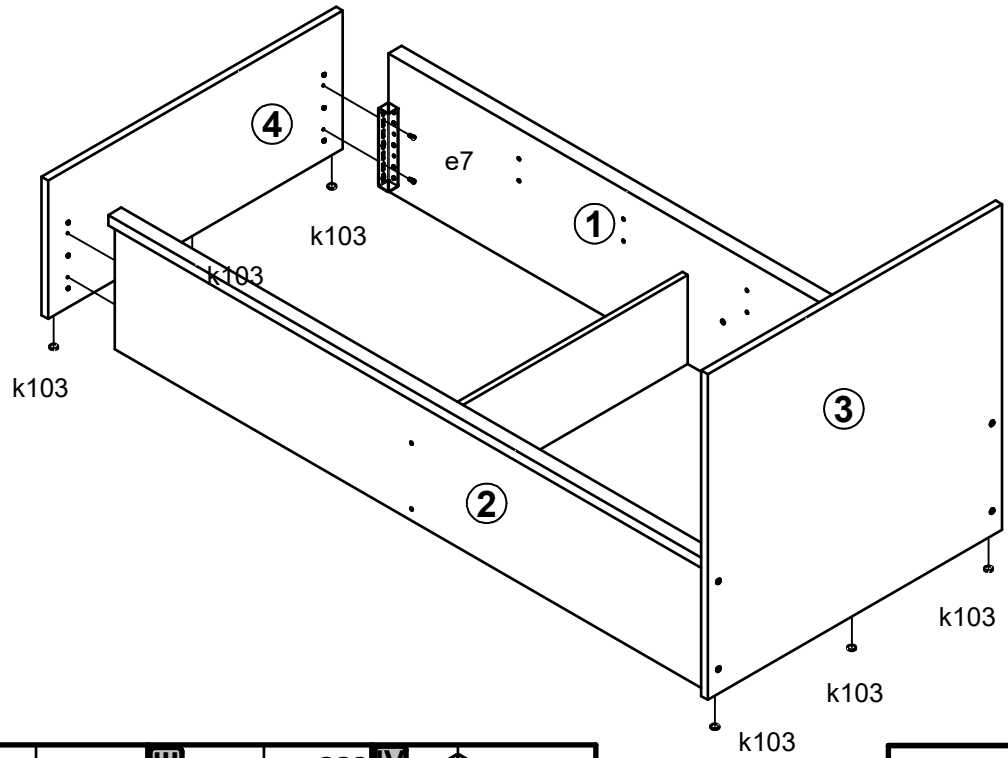
2



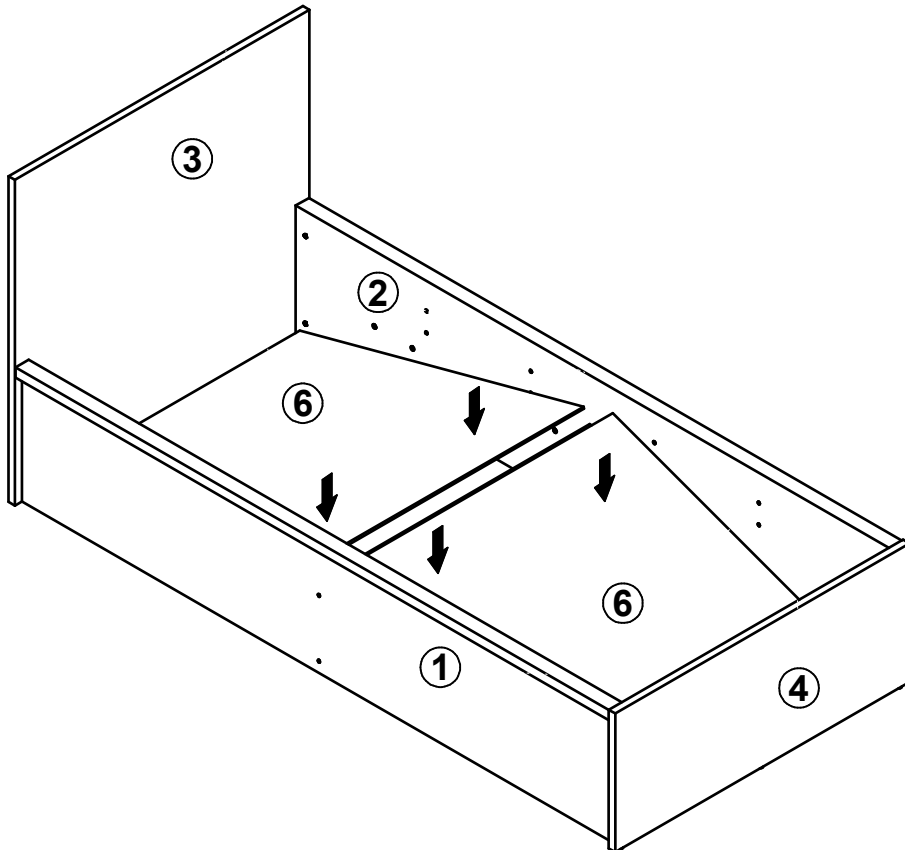
3



4



5



6

