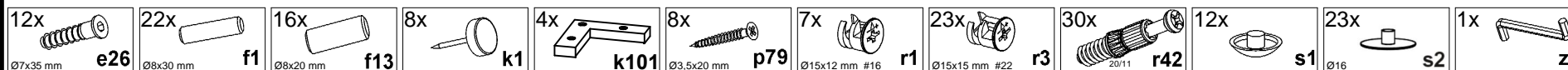
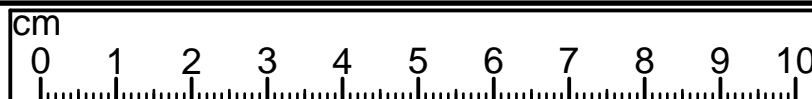
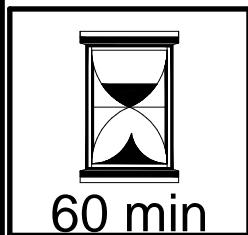
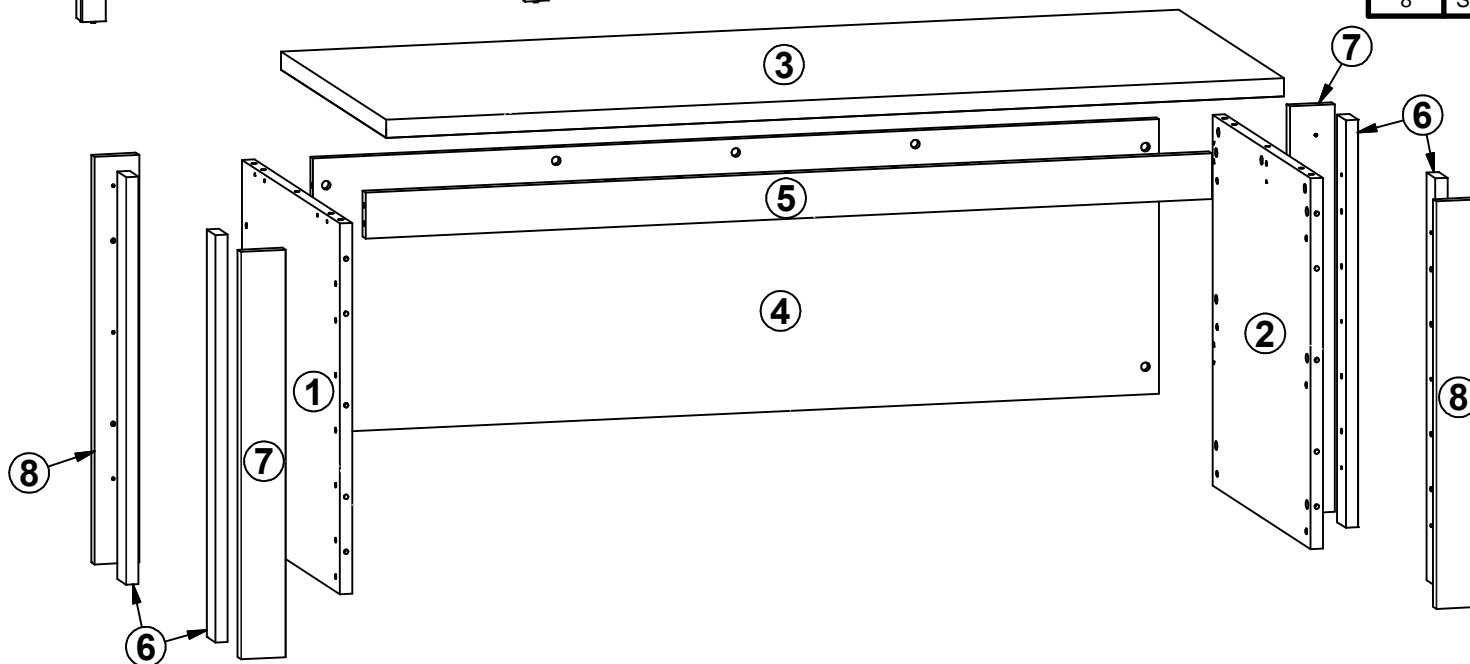
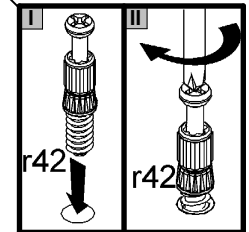
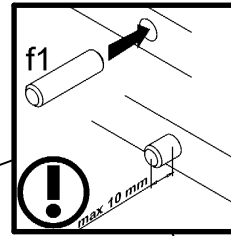
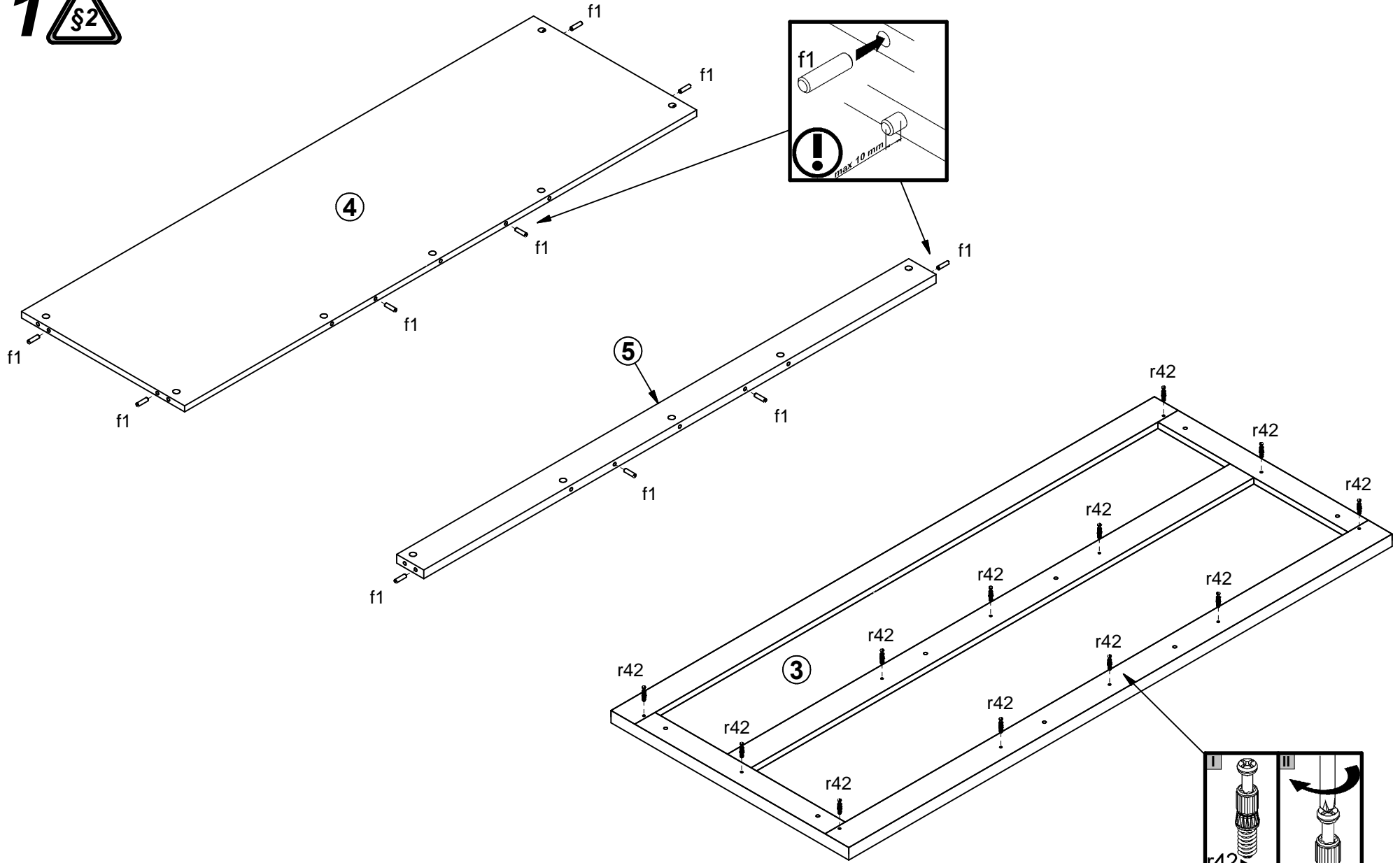


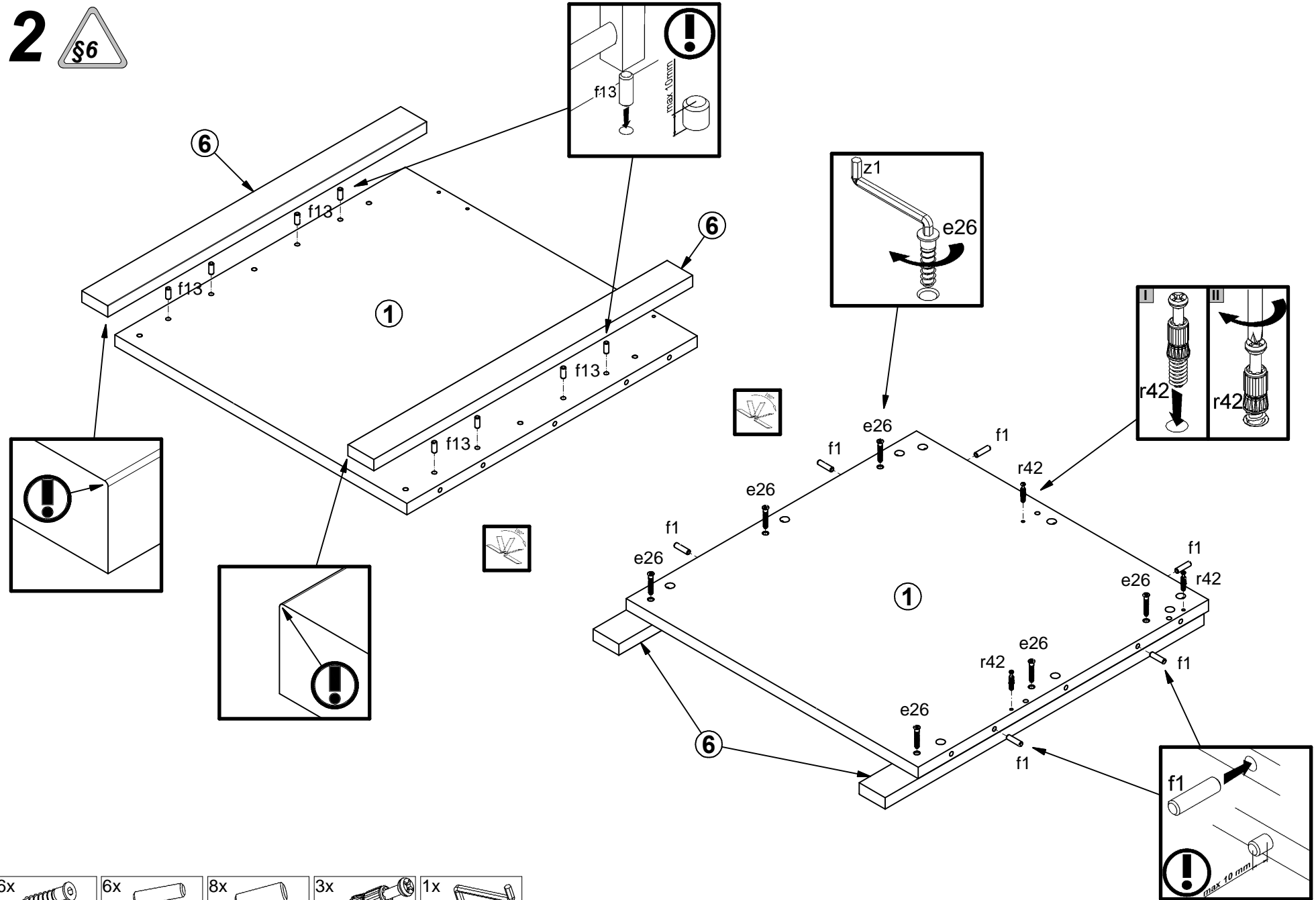
A	B	C (mm)		D
1	S228-134	648	652	1/2
2	S228-135	648	652	1/2
3	S228-214	1600	700	1/2
4	S228-413	1508	480	1/2
5	S228-414	1508	80	1/2
6	S228-5559	712	58	2/2
7	S228-5560	712	80	2/2
8	S228-5561	712	80	2/2



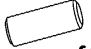




1 

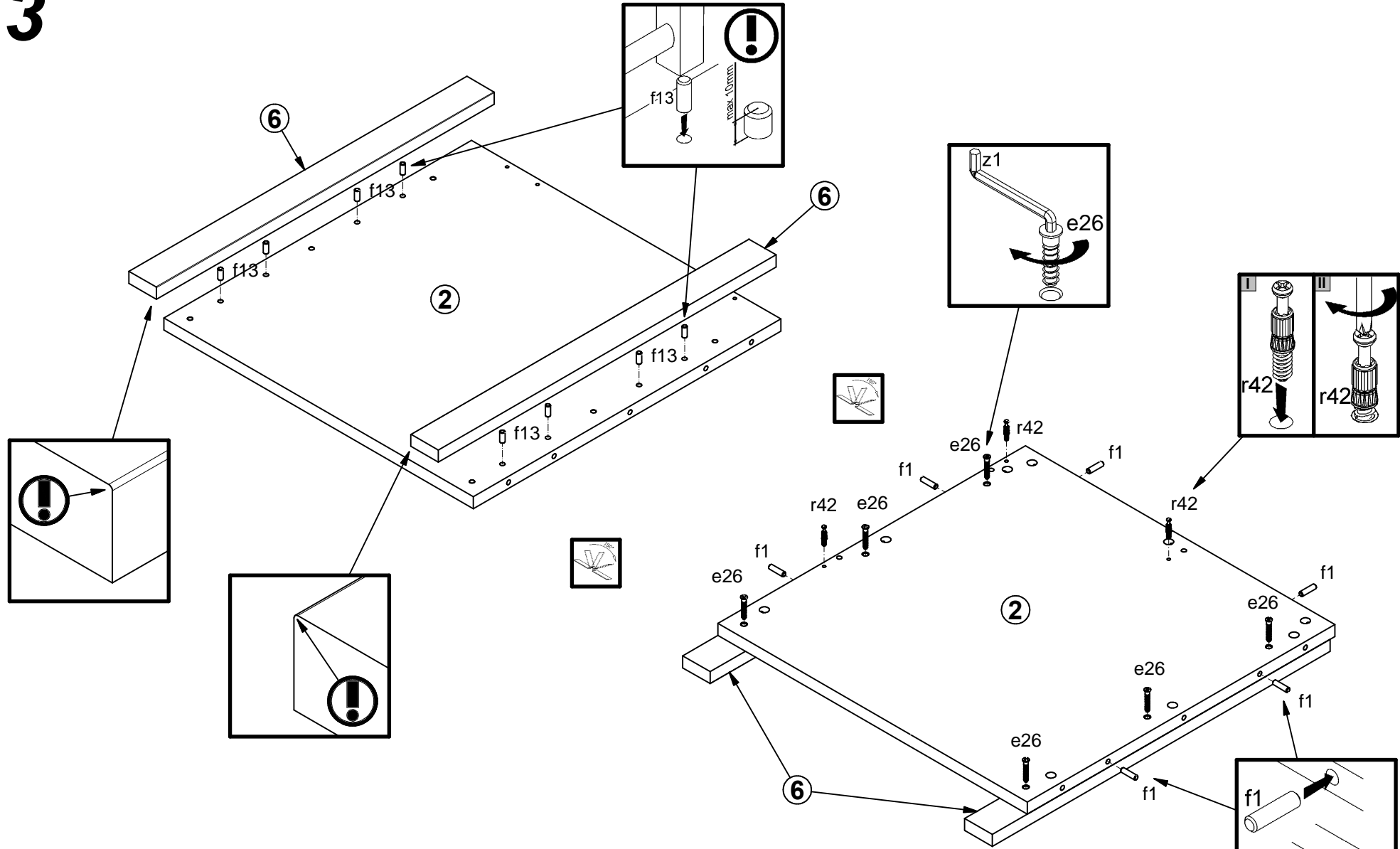


2  §6

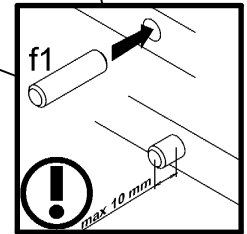


- | | | | | |
|---|--|---|--|--|
| 6x  e26
Ø7x35 mm | 6x  f1
Ø8x30 mm | 8x  f13
Ø8x20 mm | 3x  r42
20/11 | 1x  z1 |
|---|--|---|--|--|

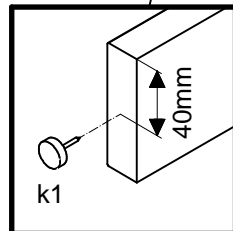
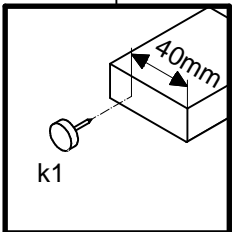
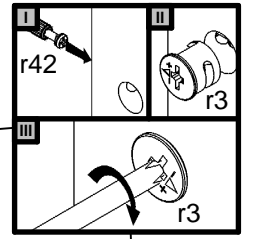
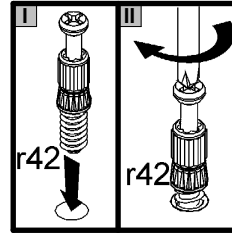
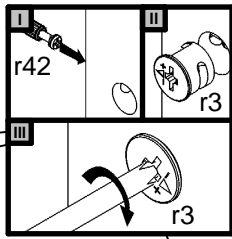
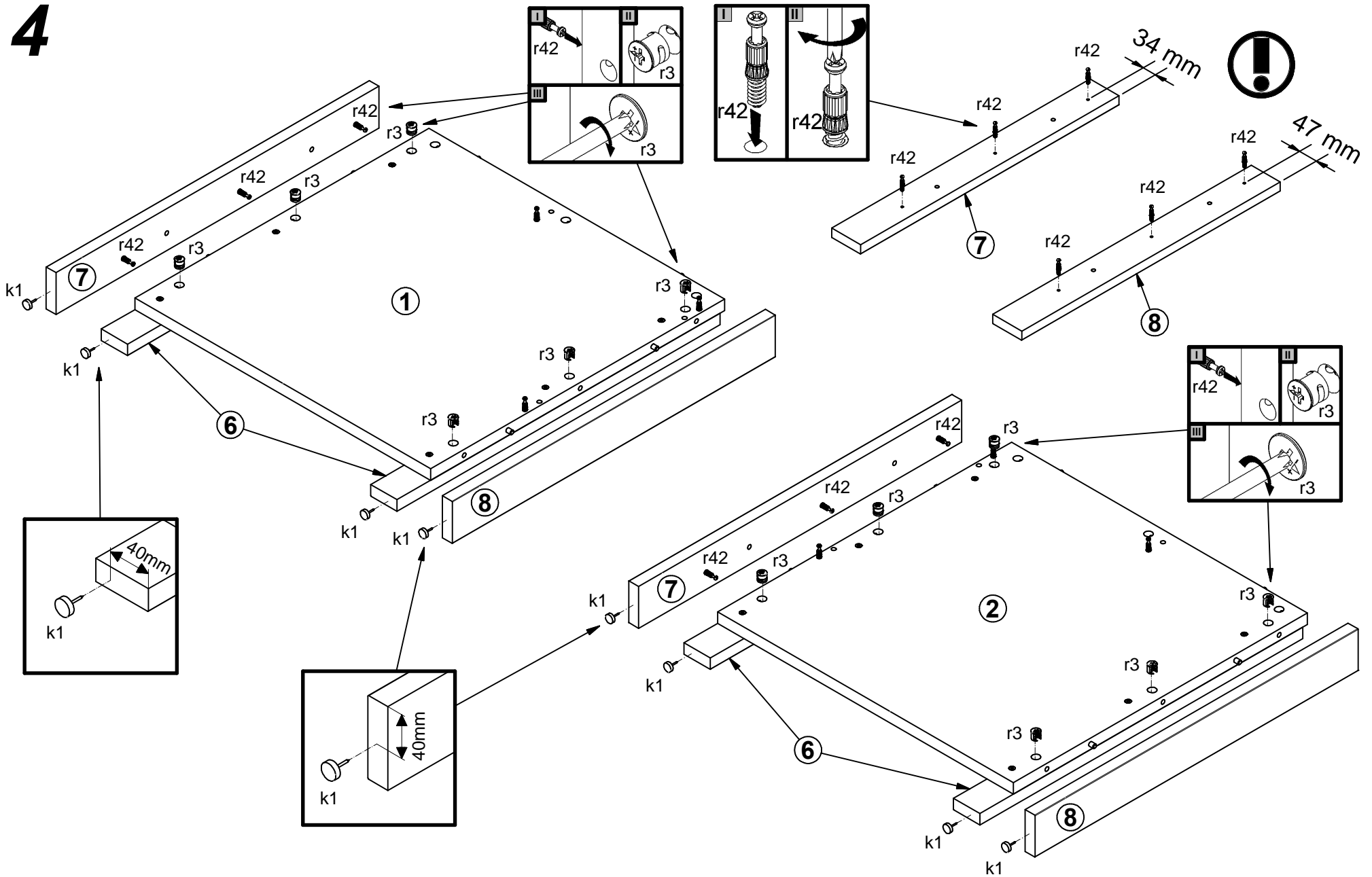
3



- | | | | | |
|------------------------------|-----------------------------|------------------------------|---------------------------|-----------------|
| 6x
Ø7x35 mm
e26 | 6x
Ø8x30 mm
f1 | 8x
Ø8x20 mm
f13 | 3x
20/11
r42 | 1x
z1 |
|------------------------------|-----------------------------|------------------------------|---------------------------|-----------------|

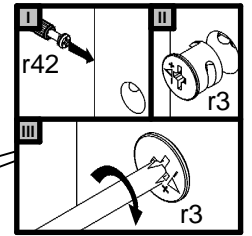
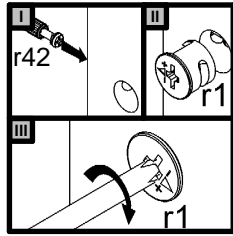
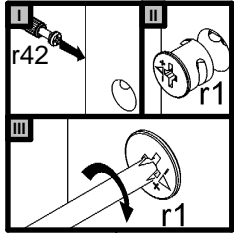
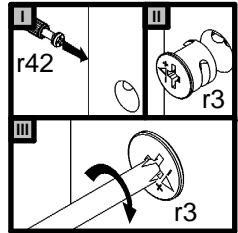
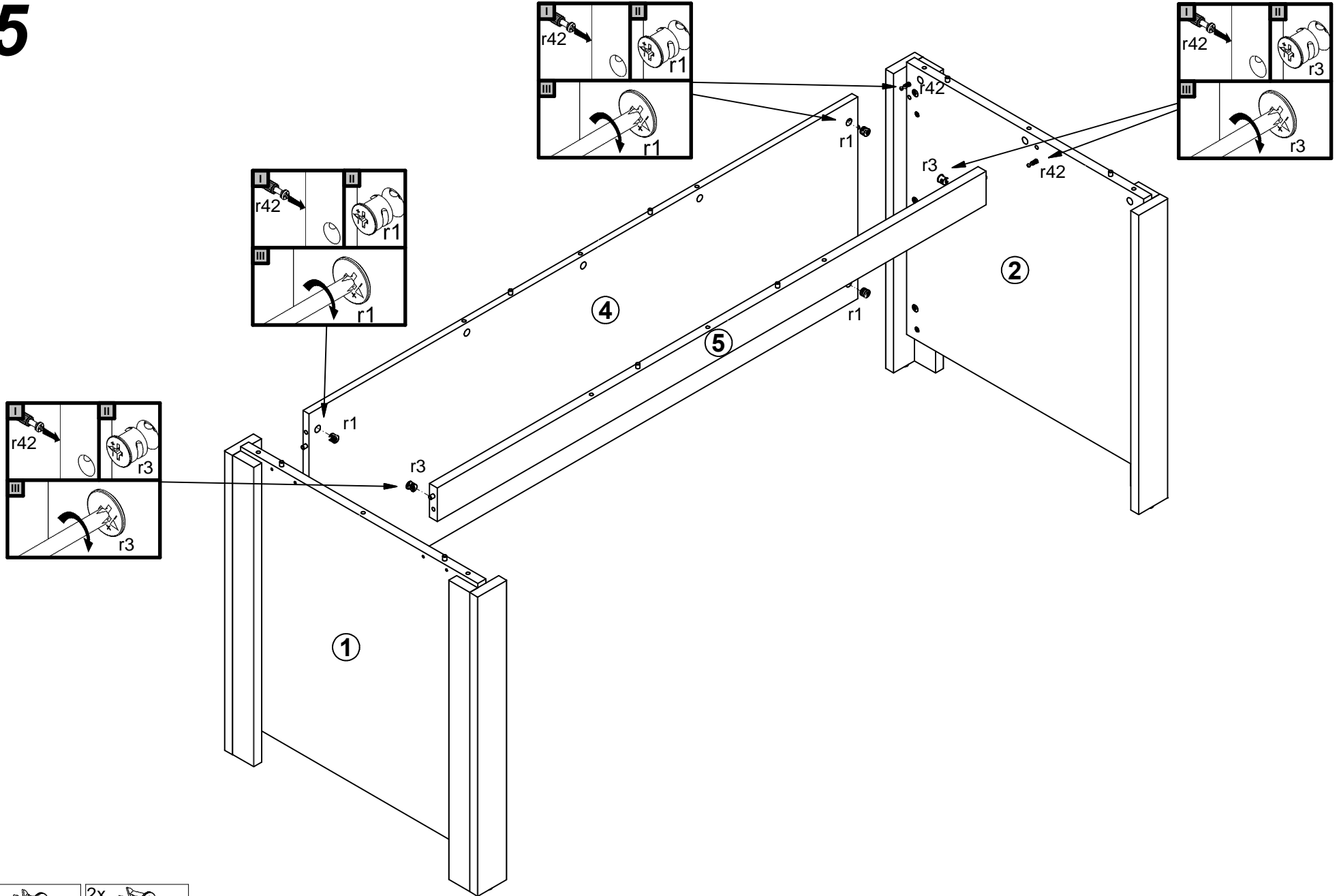




4



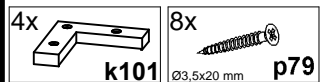
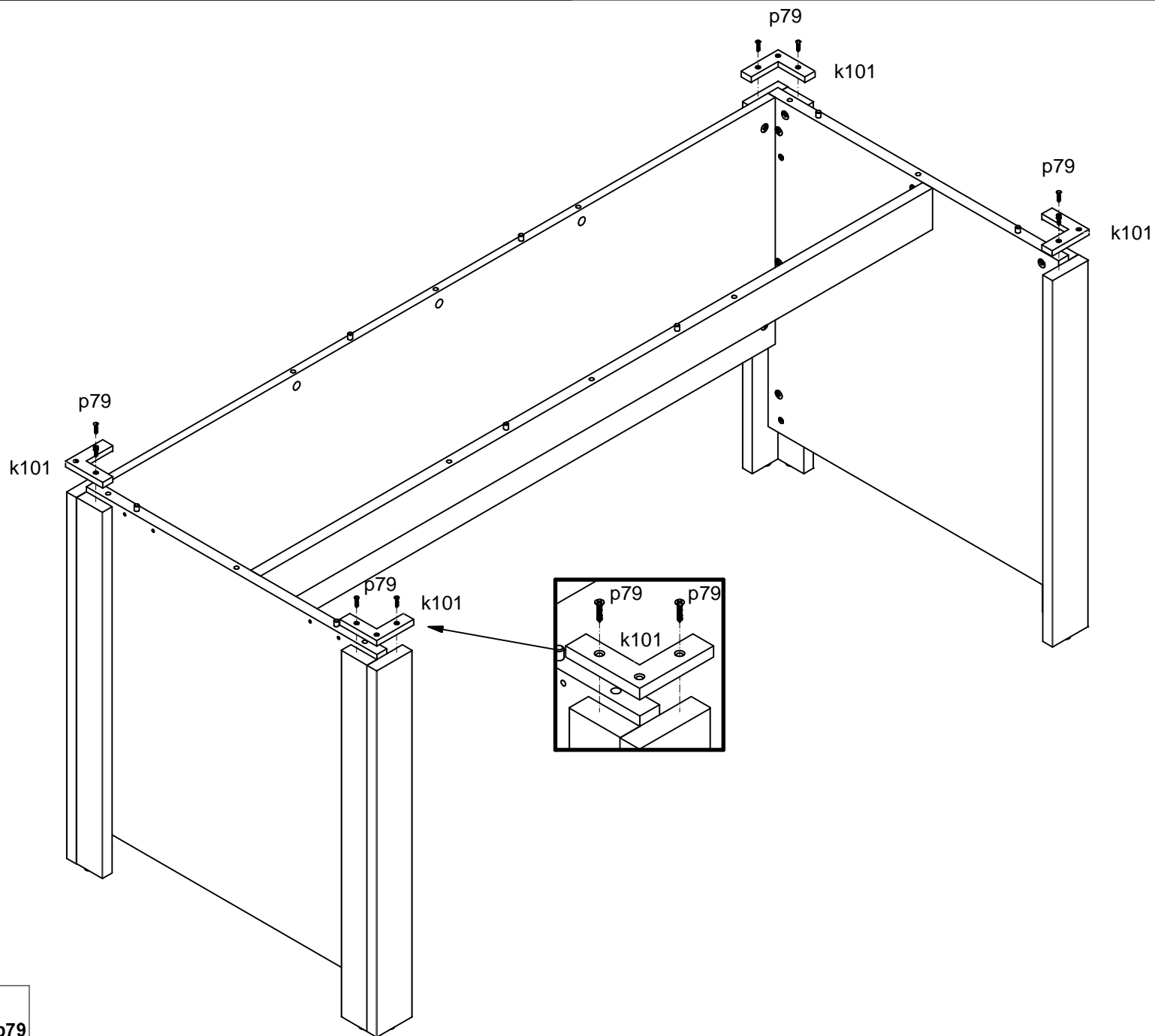
- 8x k1
- 12x r3
- 12x r42

5

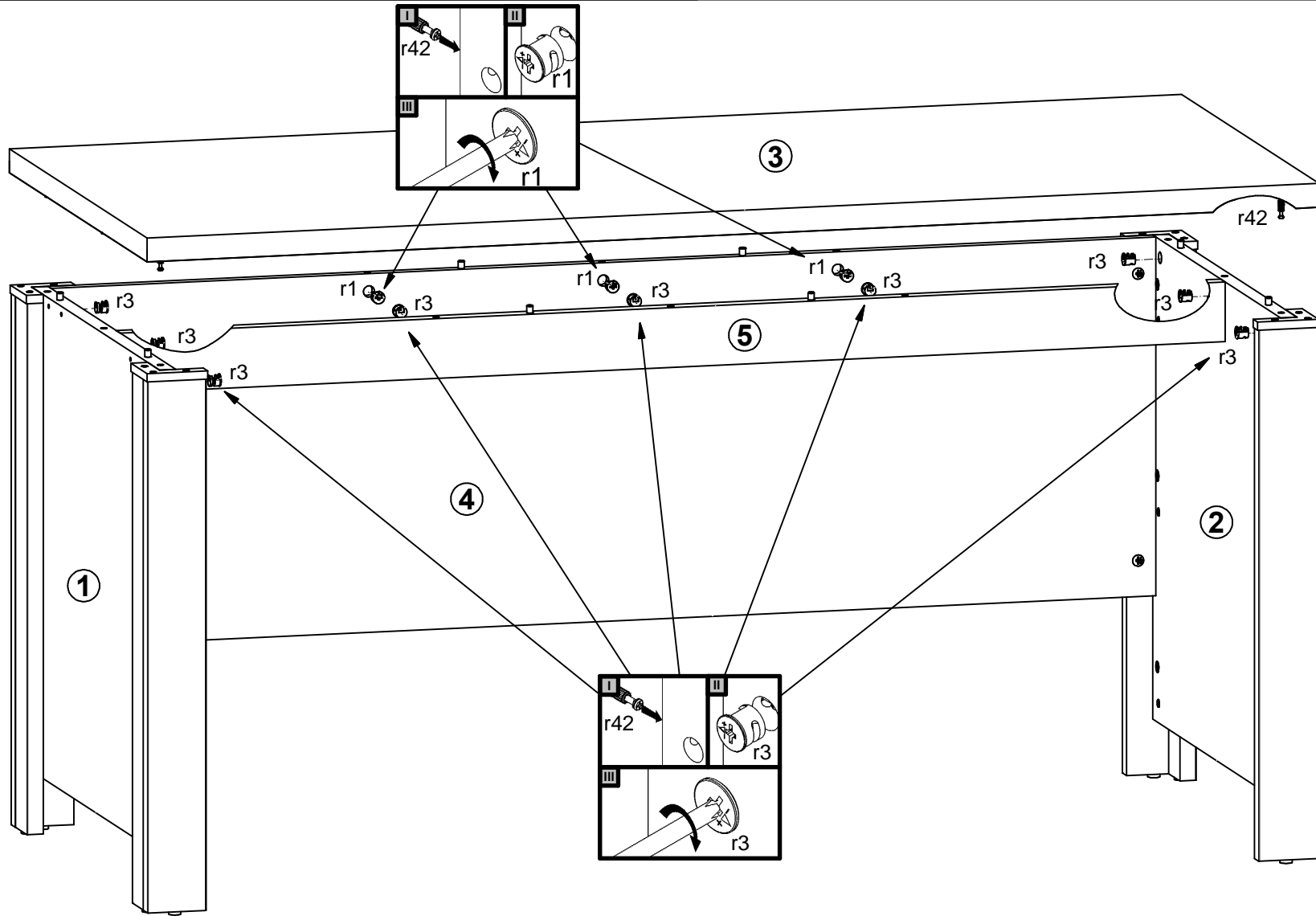


- 4x  r1 Ø15x12 mm #16
- 2x  r3 Ø15x15 mm #22

6



7



- 3x r1 Ø15x12 mm #16
- 9x r3 Ø15x15 mm #22
- 12x s1
- 23x s2 Ø16

