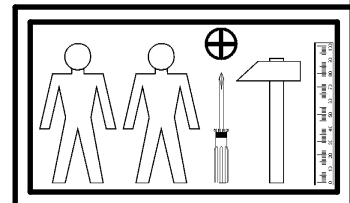
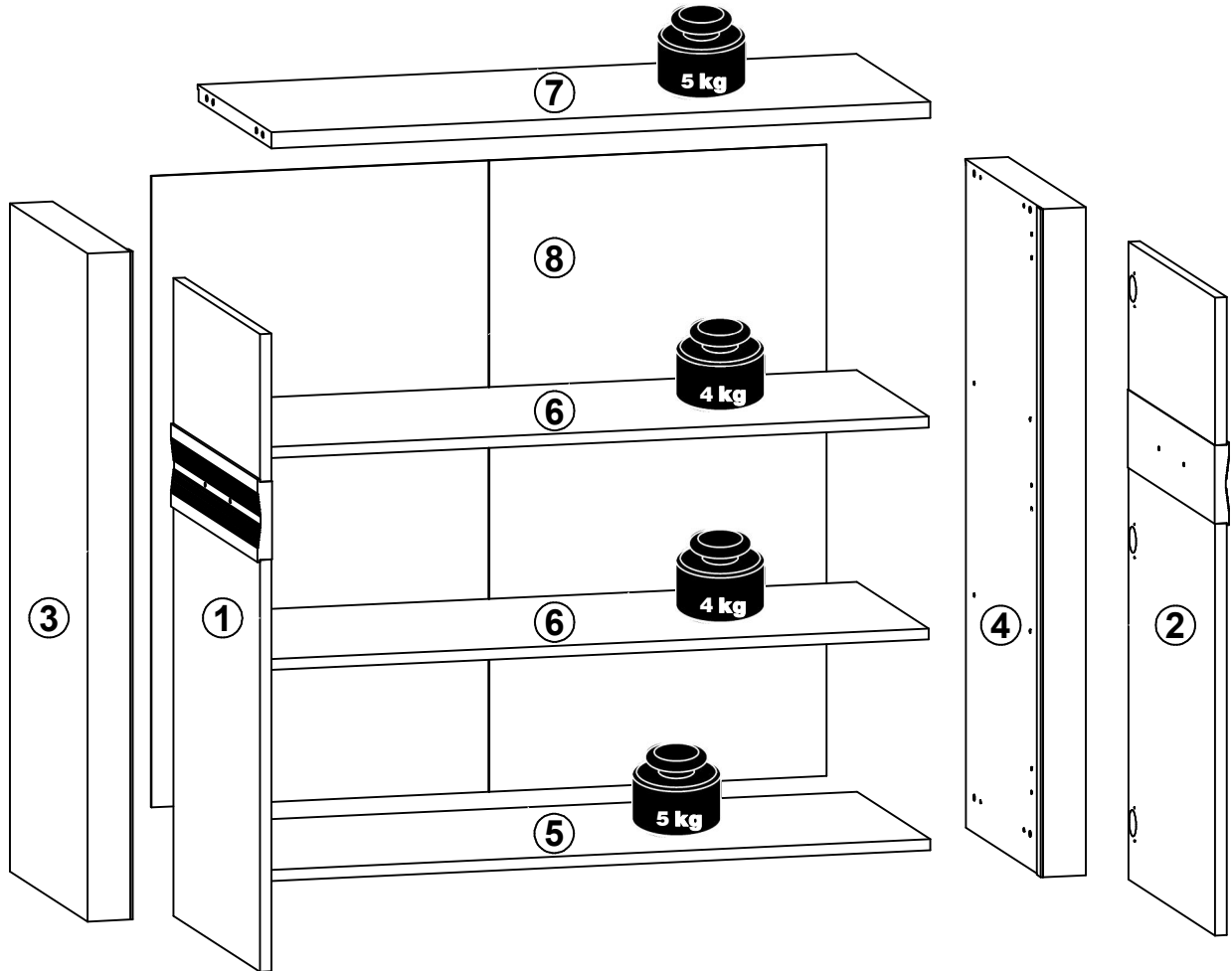
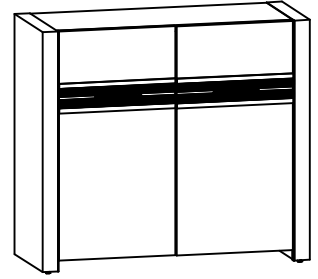
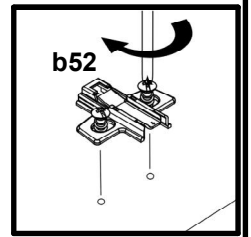
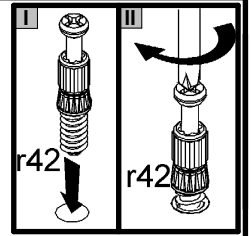
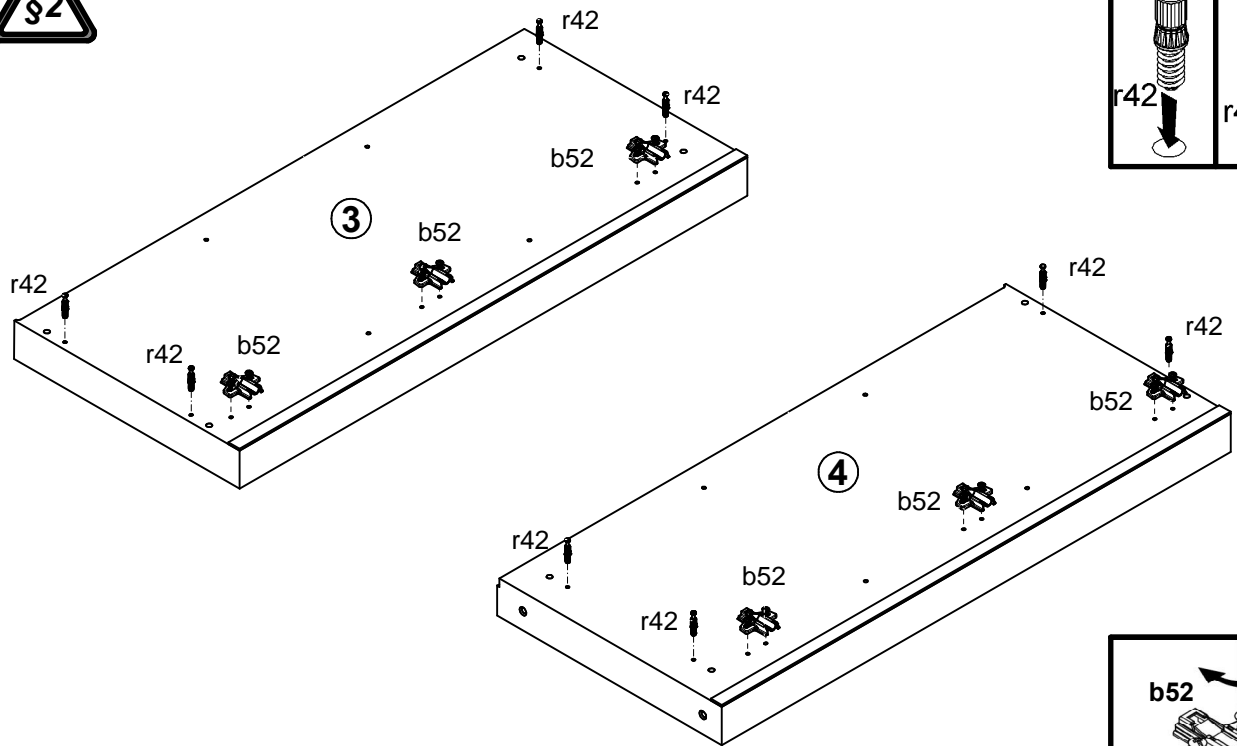


A	B	C	D
1	S306-004	446	864 3/3
2	S306-005	446	864 3/3
3	S306-103	905	400 1/3
4	S306-104	905	400 1/3
5	S306-301	908	376 2/3
6	S306-302	907	370 2/3
7	S306-310	908	380 2/3
8	S306-901	855	931 3/3



6x K16 95°; cihly domyk a108	6x D5 CLIP b52	2x 128mm c399	8x Ø5x17 mm d1	8x Ø8x30 mm f1	4x M4x20 mm j1	4x M6/ø14x14 mm k39/2	4x M6/22 mm k39/3	40x l1
12x Ø3,5x15 mm p51	8x Ø15x12 mm #16 r1	8x r42	4x Ø 20mm s68	1x Ø3,5x16 mm p38	1x n26/1			

1



2

