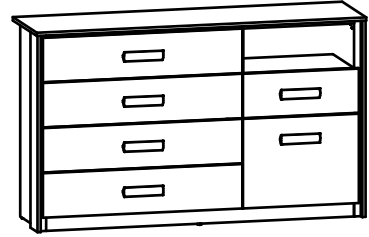
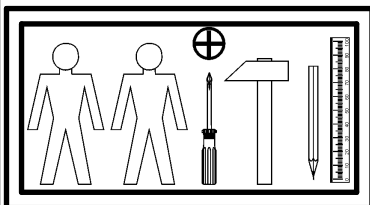
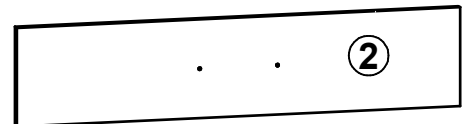
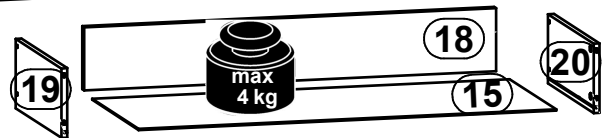
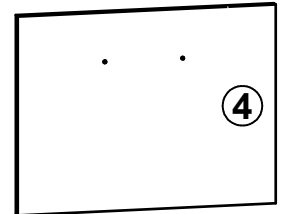
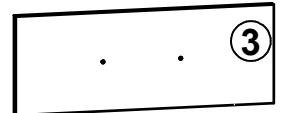
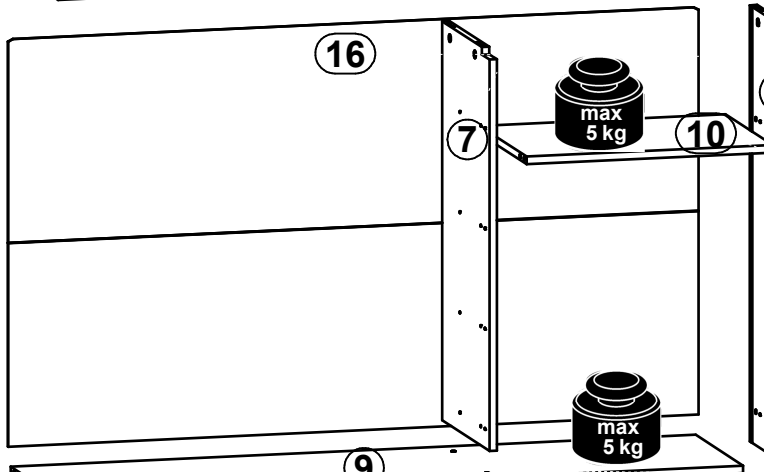
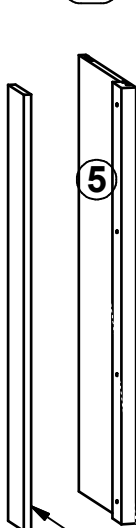
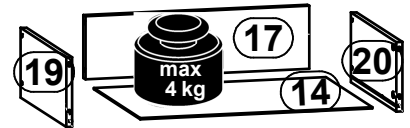
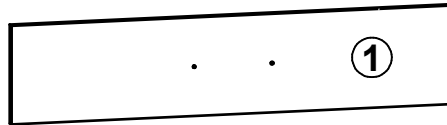
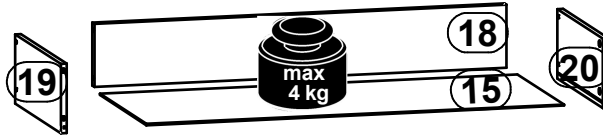


A	B	C	D	
1	L99-0002	911	199	1/2
2	L99-0003	911	199	1/2
3	L99-0004	530	199	1/2
4	L99-0005	530	401	1/2
5	L99-1011	879	385	2/2
6	L99-1012	879	385	2/2
7	L99-1013	804	364	2/2
8	L99-2002	1504	410	1/2
9	L99-3002	1408	364	1/2
10	L99-3011	506	364	1/2
11	L99-4014	1408	60	1/2
12	L99-4015	1408	60	1/2
13	L99-5003	879	120	2/2
14	L99-9003	477	357	2/2
15	L99-9004	858	357	2/2
16	L99-9303	1419	821	1/2
17	ZQ6-5088	466	127	2/2
18	ZQ6-5089	847	127	2/2
19	ZQ6-511	350	140	1/2
20	ZQ6-512	350	140	1/2

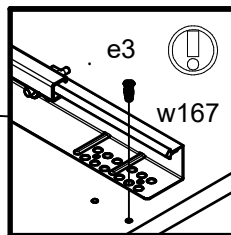
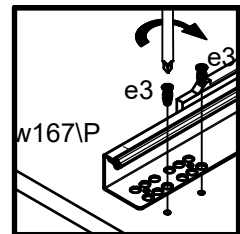
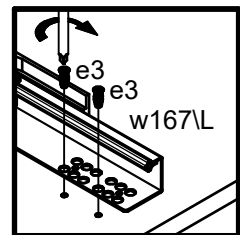
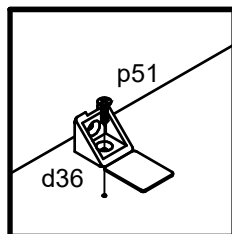
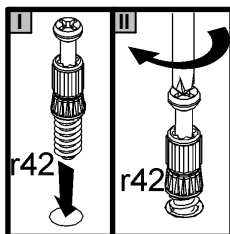
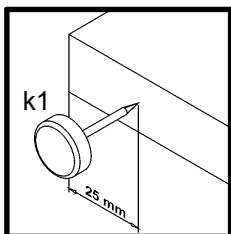
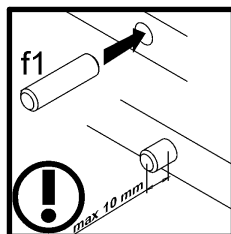
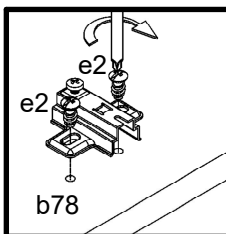
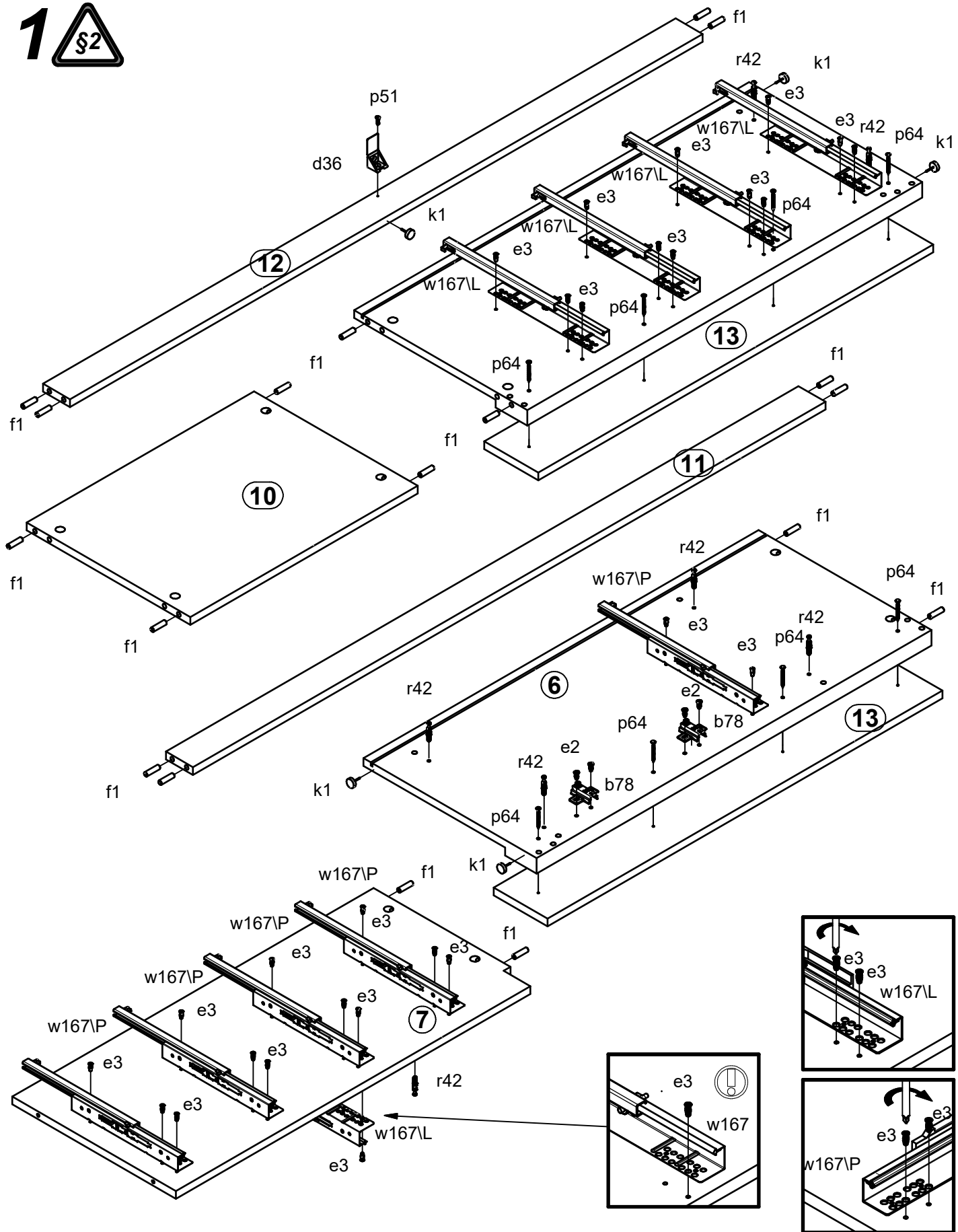


3x

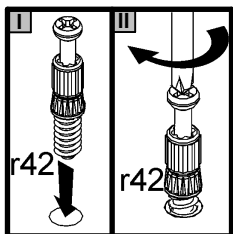
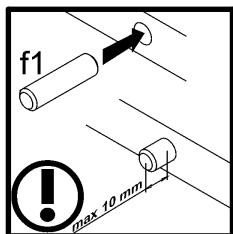
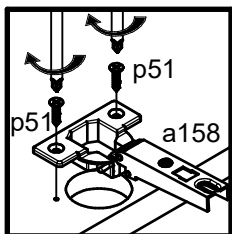
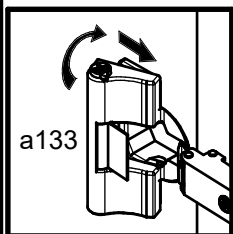
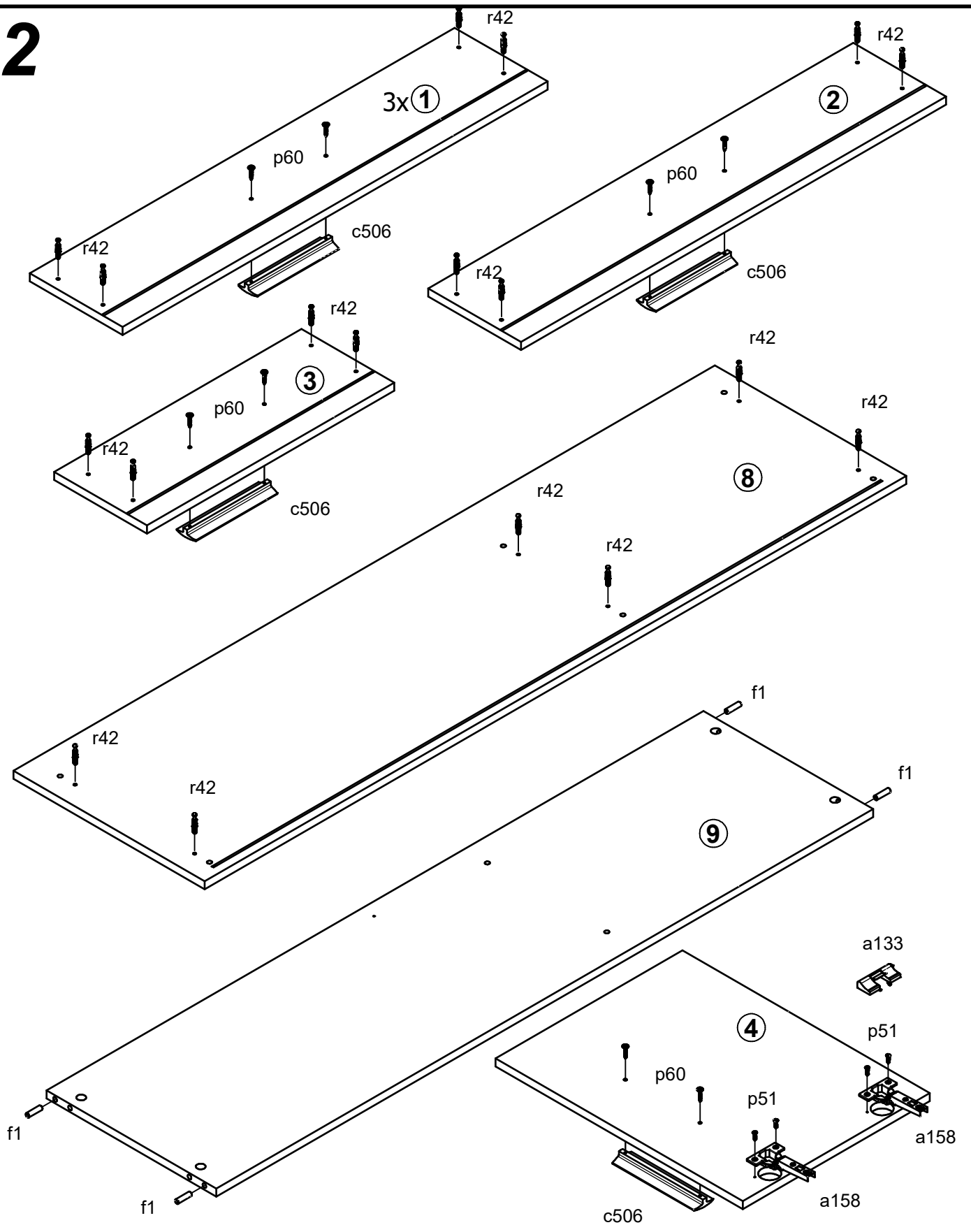


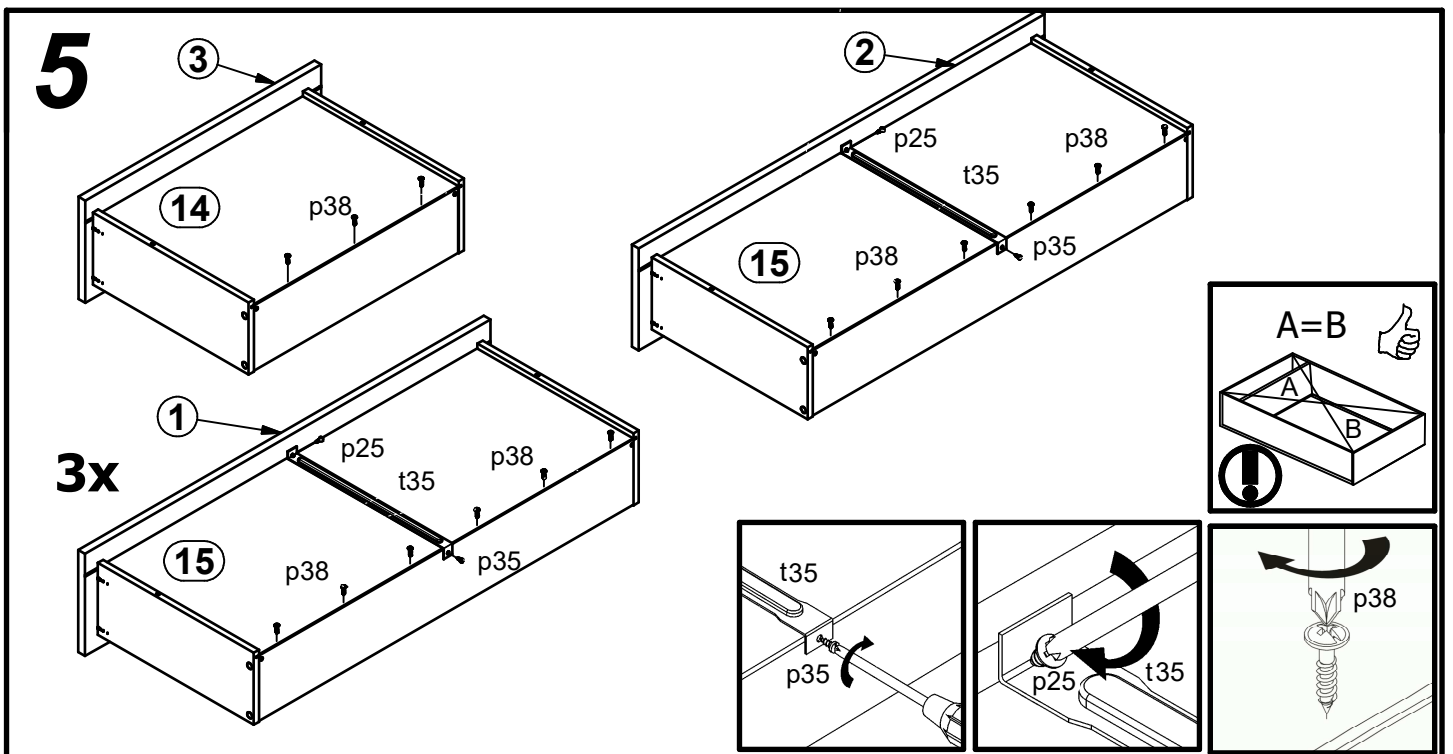
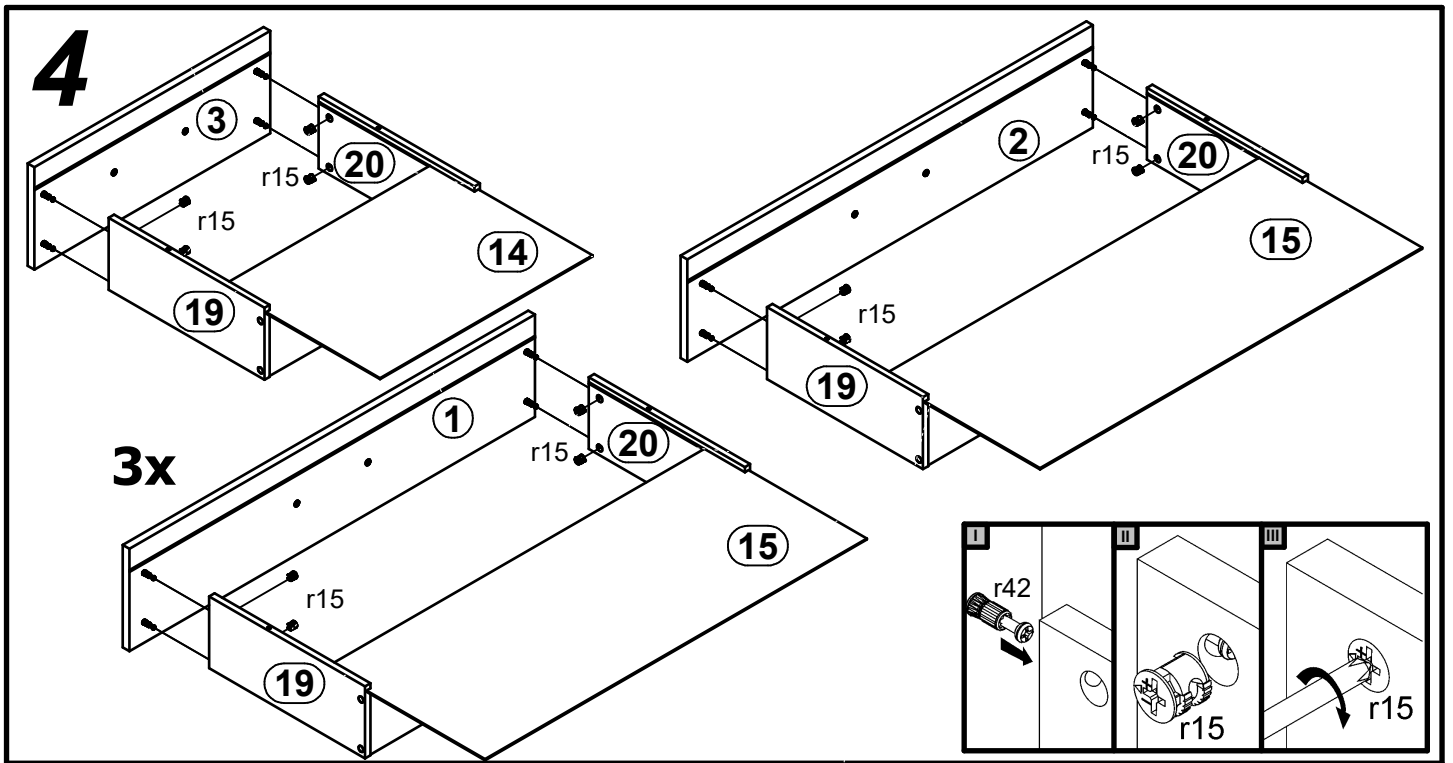
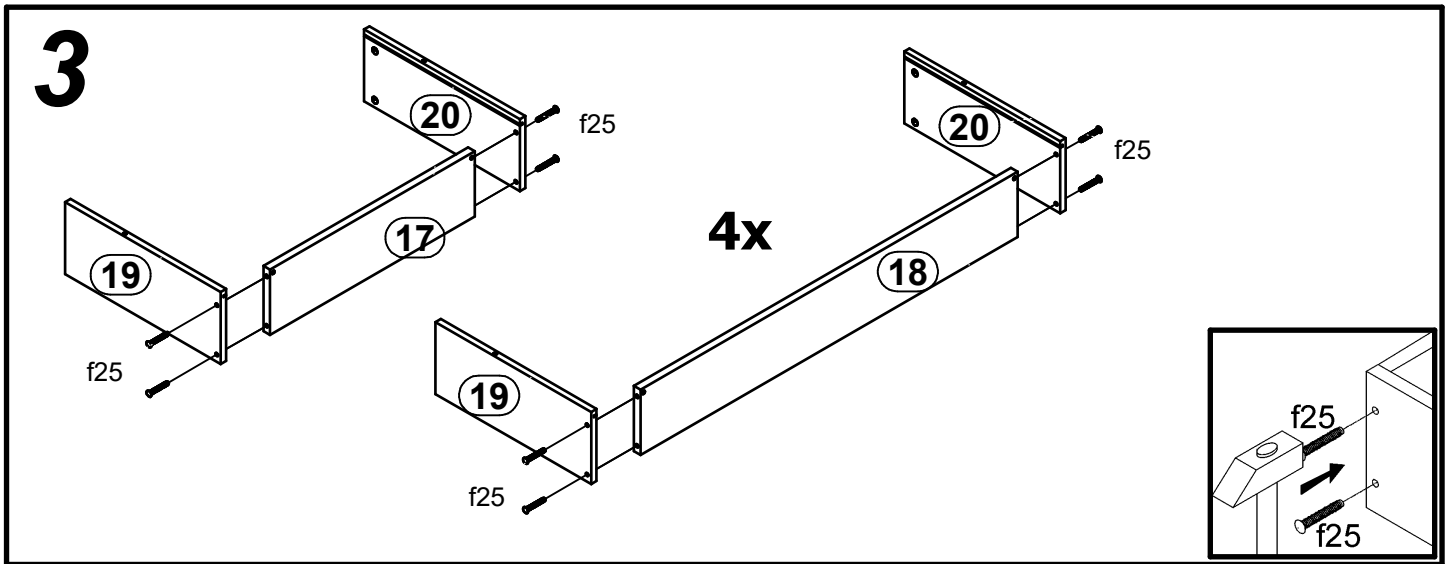
1x a133	2x a158	2x b78	6x c506	1x d36	2x e1	4x e2	28x e3	22x f1
20x f25	5x k1	25x l1	7x l2	4x p25	4x p35	28x p38	6x p51	10x p55
12x p60	8x p64	14x r1	20x r15	34x r42	4x t35	5x w167L	5x w167P	2x s59
2x s68	1x z1	1x n26/1						

1 

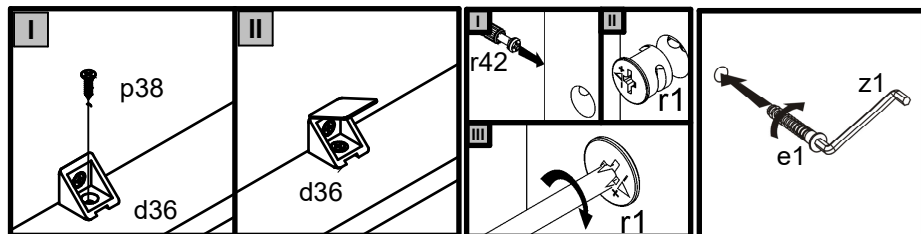
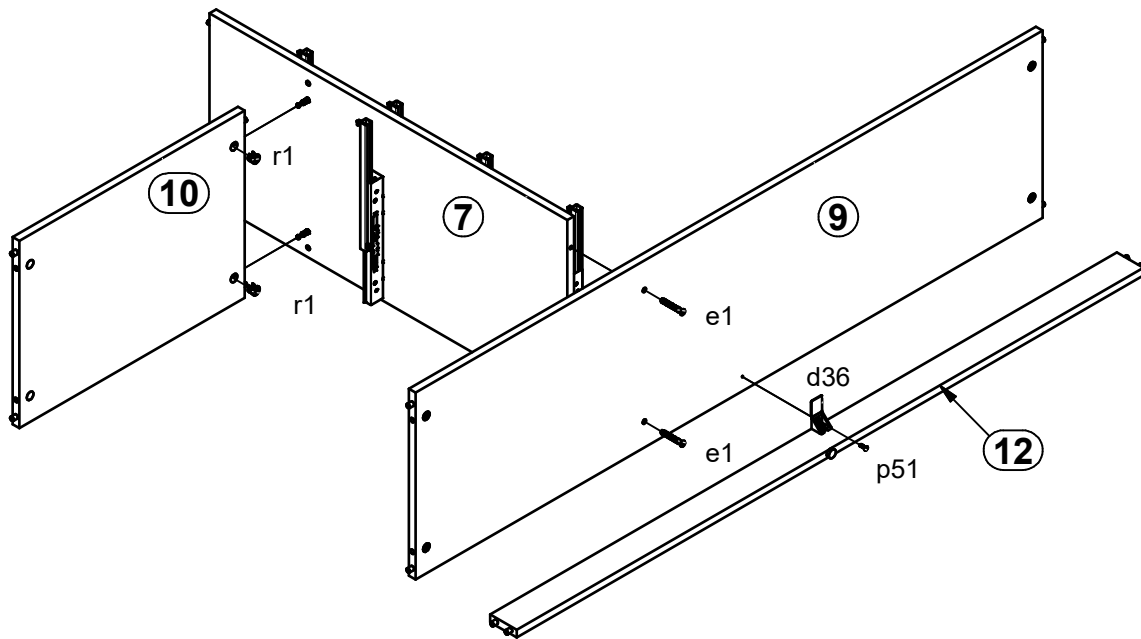


# 2

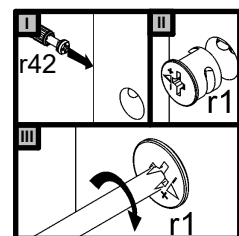
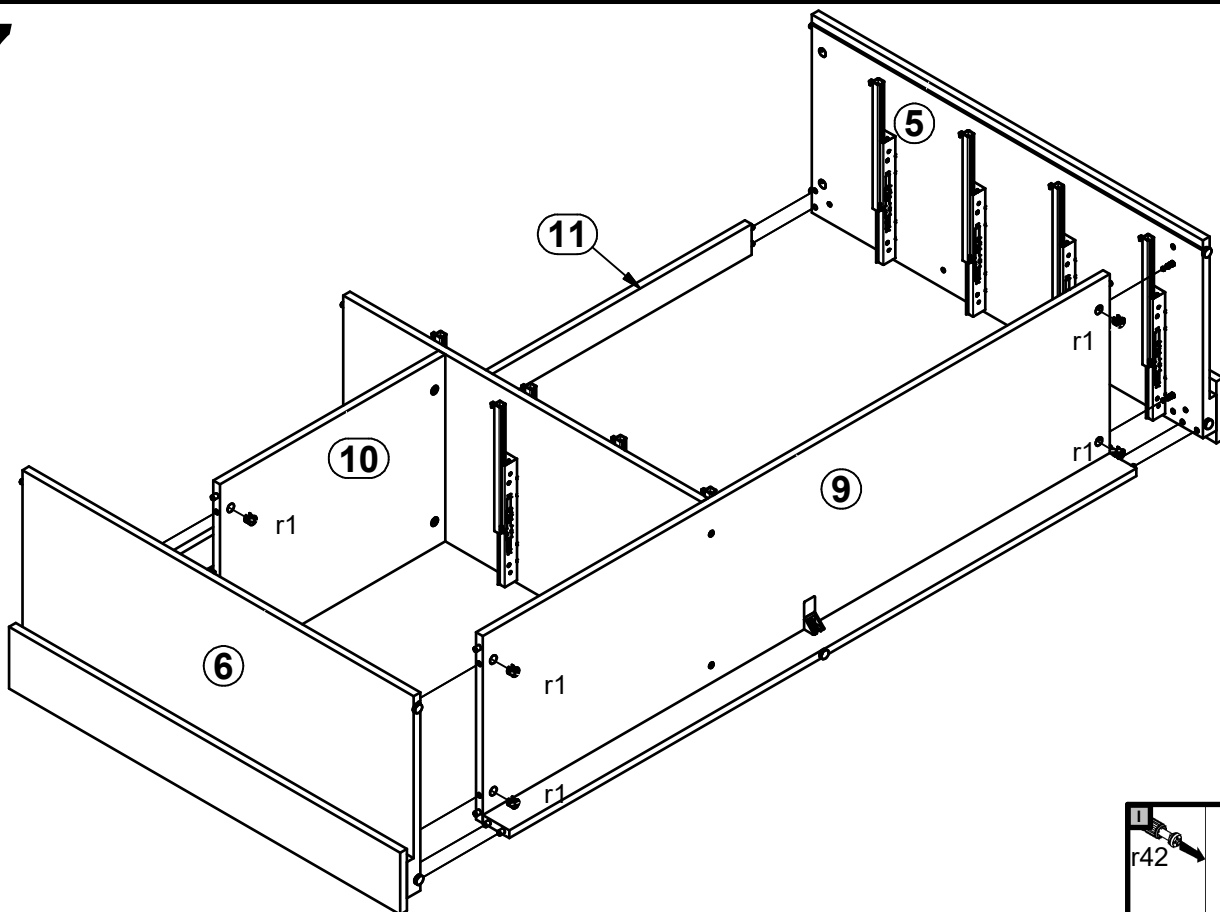




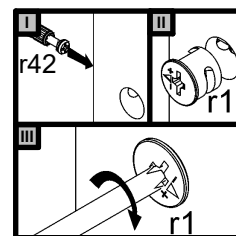
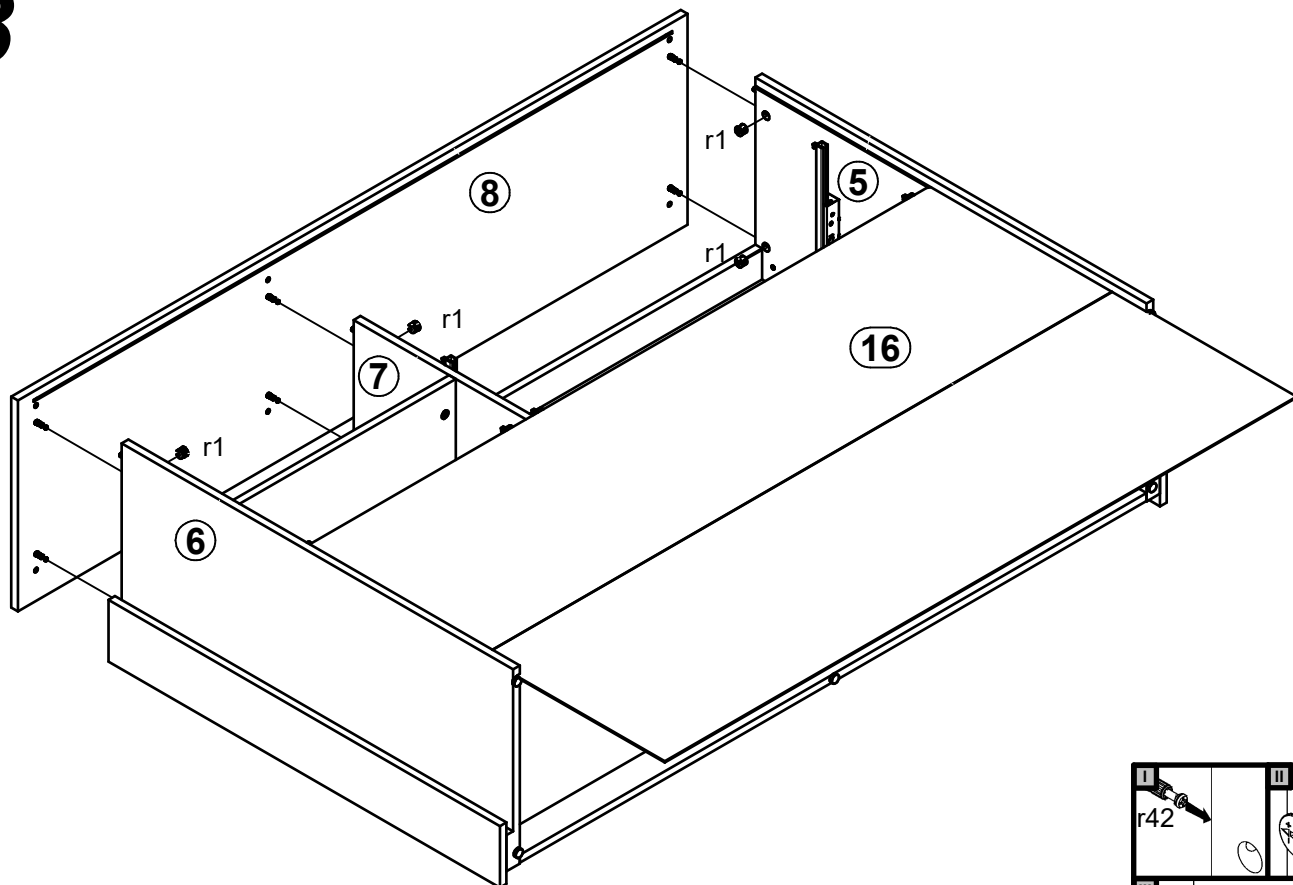
# 6



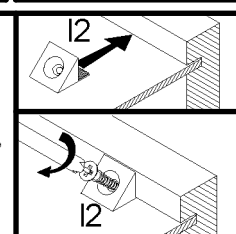
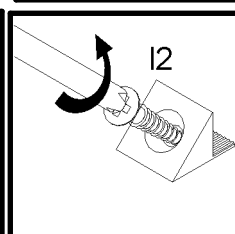
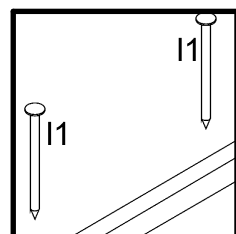
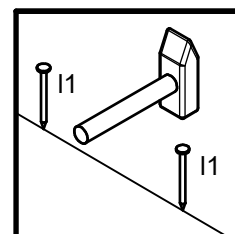
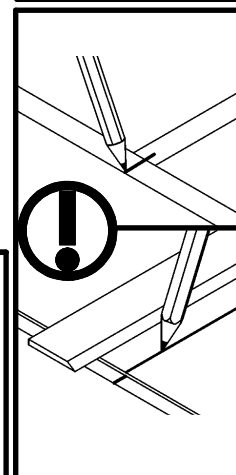
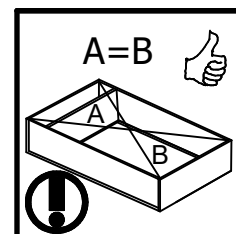
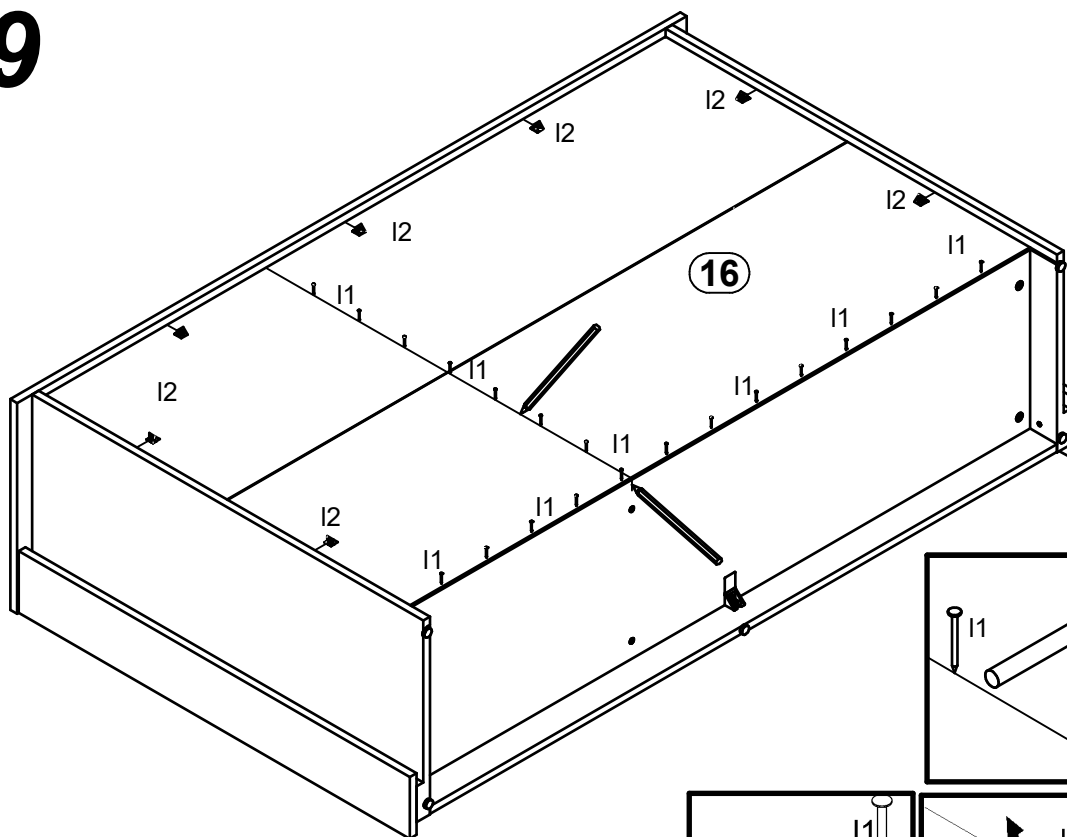
# 7



# 8



# 9



# 10

