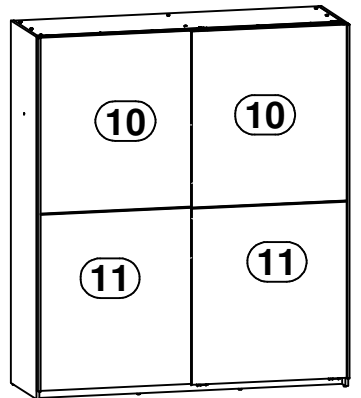
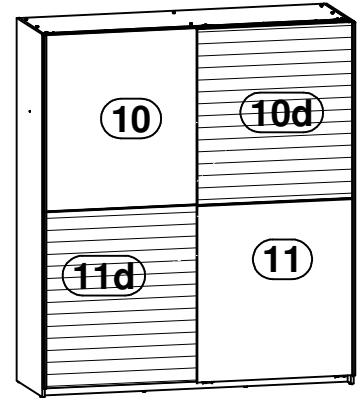


A	B	C(mm)		D	
1	F27-405	1669	66	15	1/2
2	F27-406	1669	66	15	1/2
3	F27-902	1878	847	2,5	1/2
4	F52-101	1950	549	15	1/2
5	F52-102	1950	520	15	1/2
6	F52-103	1853	421	15	2/2
7	F52-301	827	420	15	2/2
8	F52-302	1669	519	15	1/2
9	F52-303	1669	504	15	1/2
12	dr-821	821	22	15	2/2

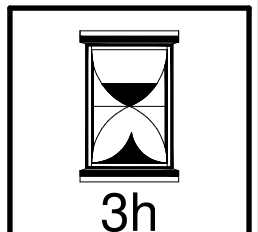


A	B	C(mm)		D	
10	F27-507	950	861	15	2/2
10d	F27-587	861	950	15	2/2
11	F27-508	950	861	15	2/2
11d	F27-588	861	950	15	2/2

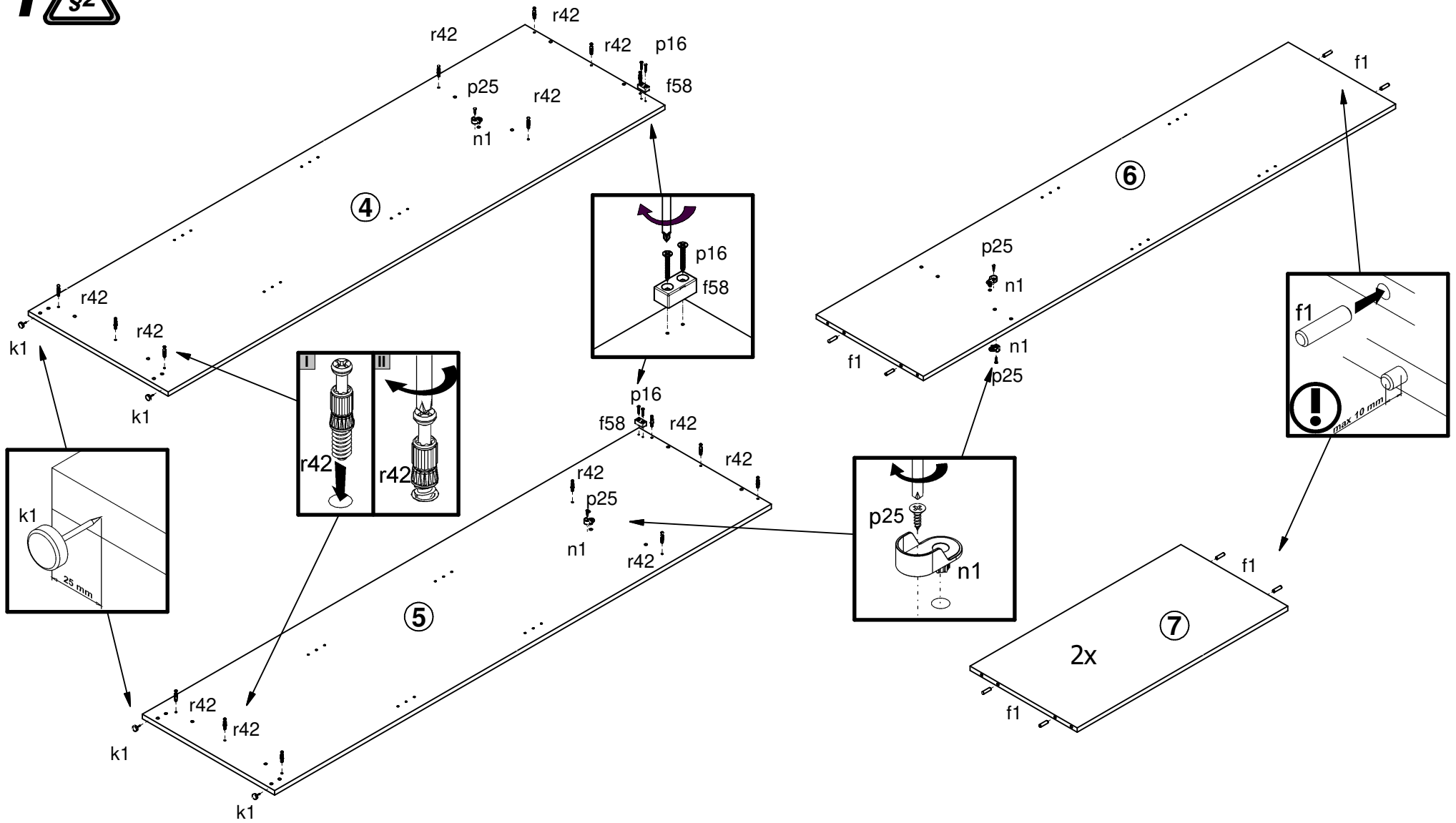
A	B	C(mm)		D	
10	F27-507	950	861	15	2/2
11	F27-508	950	861	15	2/2



2x n195	1x n196	2x n197	2x n198	2x n199	4x n76	2x o100	4x p16	2x p17	16x p19	13x p25
8x e1	28x f1	2x f35	2x f58	2x j148	2x j159	8x k1	85x l1	4x n1	9x n108	
79x p93	20x r1	2x r10	16x r42	2x w1183	2x w1184	1x w1574	1x w1584	4x s1	8x s2	1x z1
2x	2x	2x	2x	2x	2x	2x	2x	2x	2x	2x
Ø7x50 mm	Ø8x30 mm	Ø10x50 mm		M5x20 mm	M5		1.4x20 mm	h=22mm	22x9.5x20.7 mm	Ø3.5x16 mm
2x	1x	2x	2x	2x	4x	2x	4x	2x	16x	13x
Ø4x13 mm	Ø15x12 mm #16		20/11	L=1900 mm	L=1900 mm	L=1668 mm	L=1668 mm	Ø5x60 mm	Ø4x16 mm	Ø3.5x16 mm
2x	2x	2x	2x	2x	2x	1x	1x	4x	8x	1x
Ø8x21x151.5	n142	2x	n194	4x	Ø3.5x16 mm	p38	9x	Ø2.9x16 mm	p55	

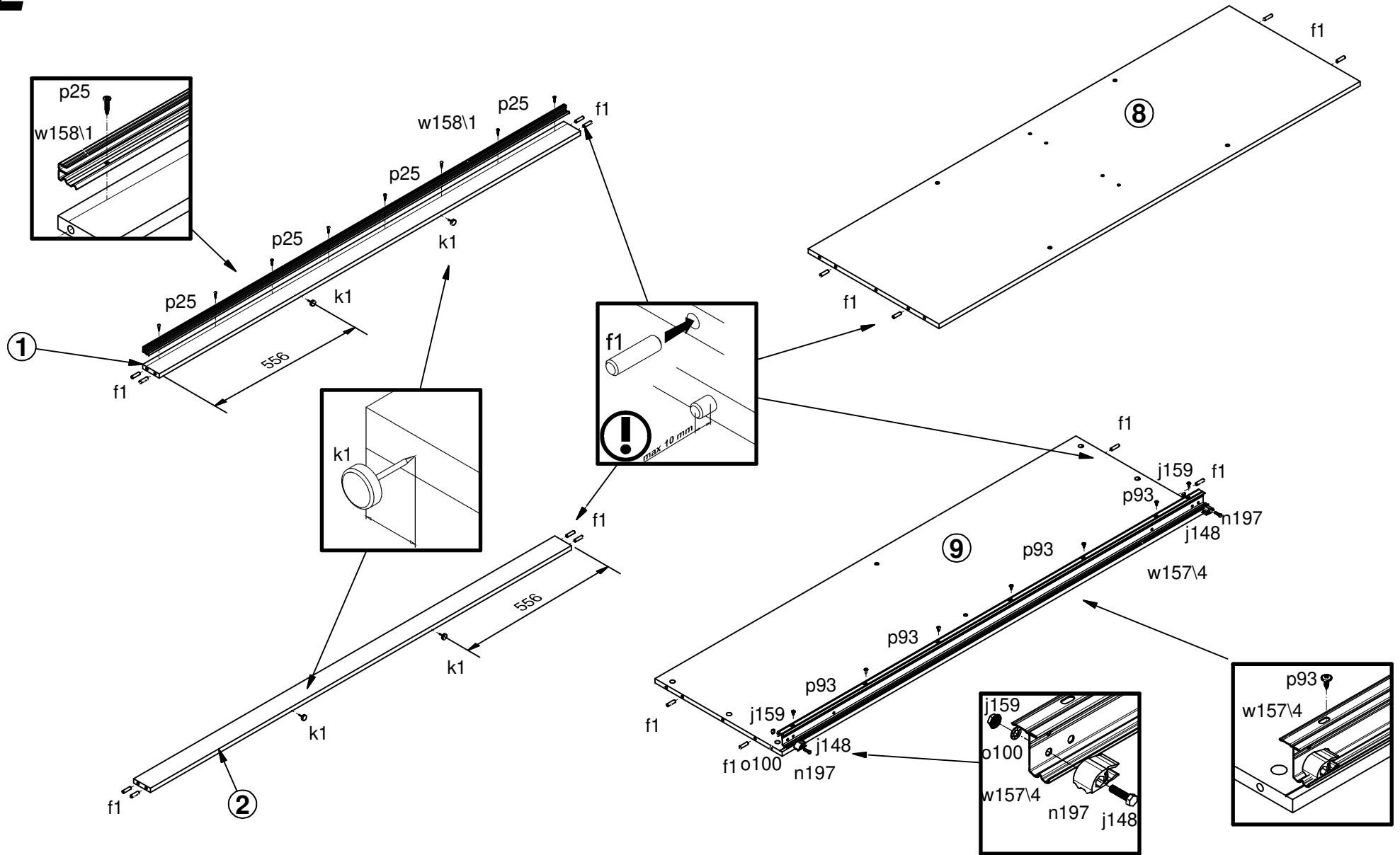


1



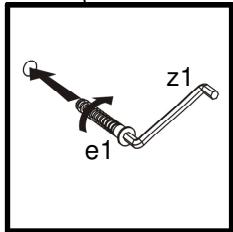
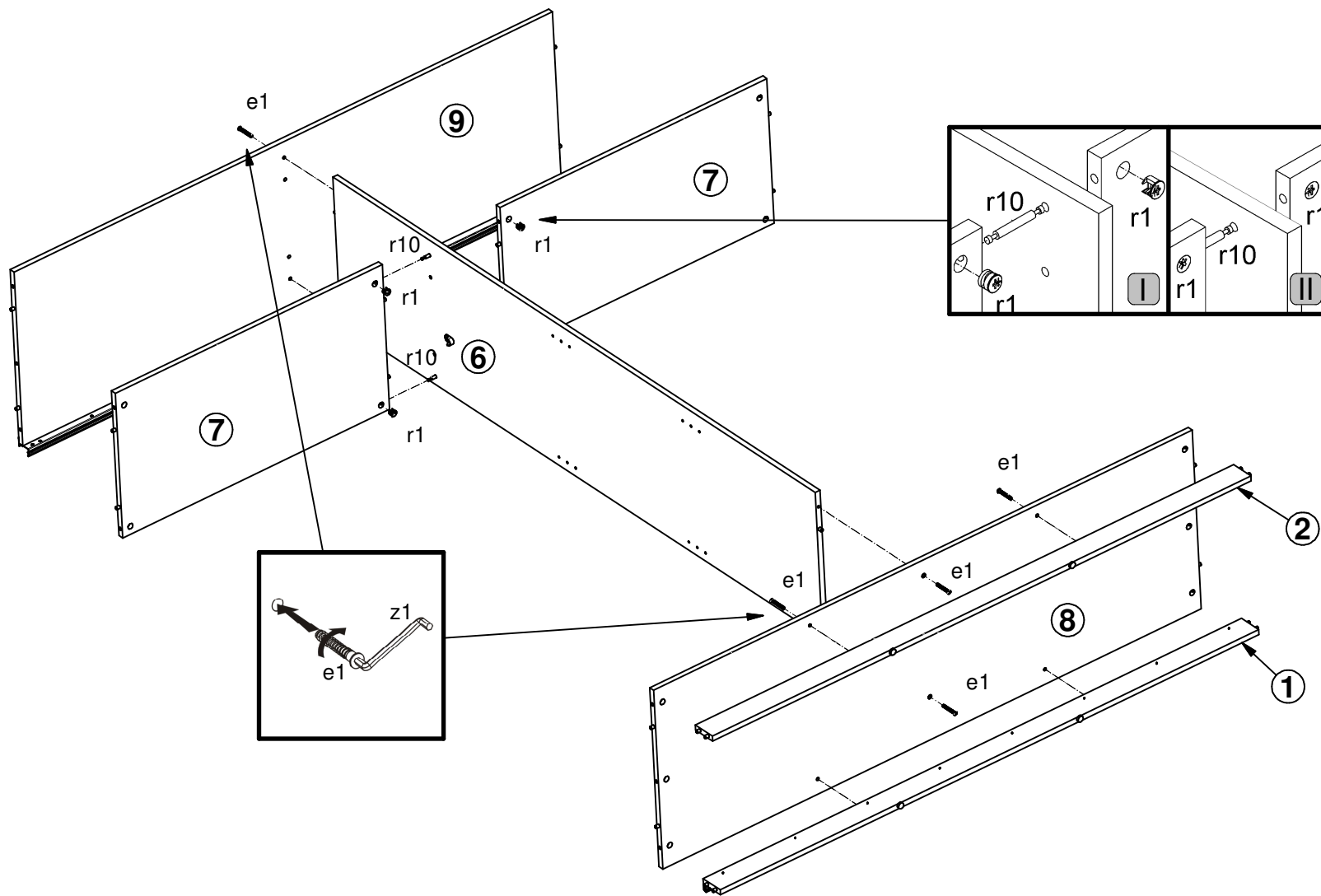
- 12x  $\text{Ø}8 \times 30 \text{ mm}$  f1
- 2x f58
- 4x k1
- 4x h=22mm n1
- 4x  $\text{Ø}3.5 \times 25 \text{ mm}$  p16
- 4x  $\text{Ø}3.5 \times 16 \text{ mm}$  p25
- 16x  $\frac{20}{11}$  r42

# 2



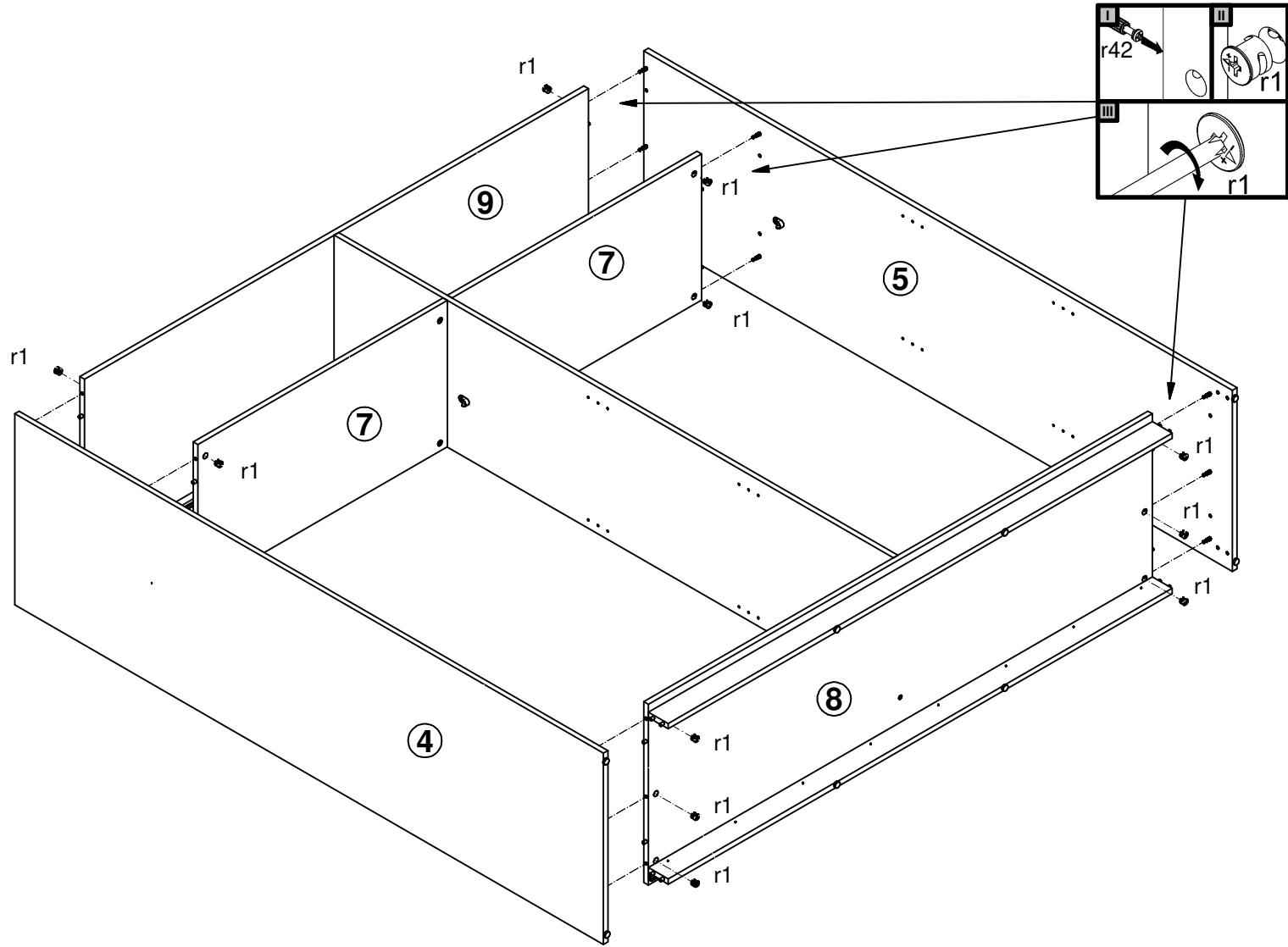
- 16x f1
- 4x p25
- 2x p93
- 2x j148
- 2x j159
- 2x o100
- 8x p25
- 7x p93
- 1x w1574
- 1x w1584

# 3

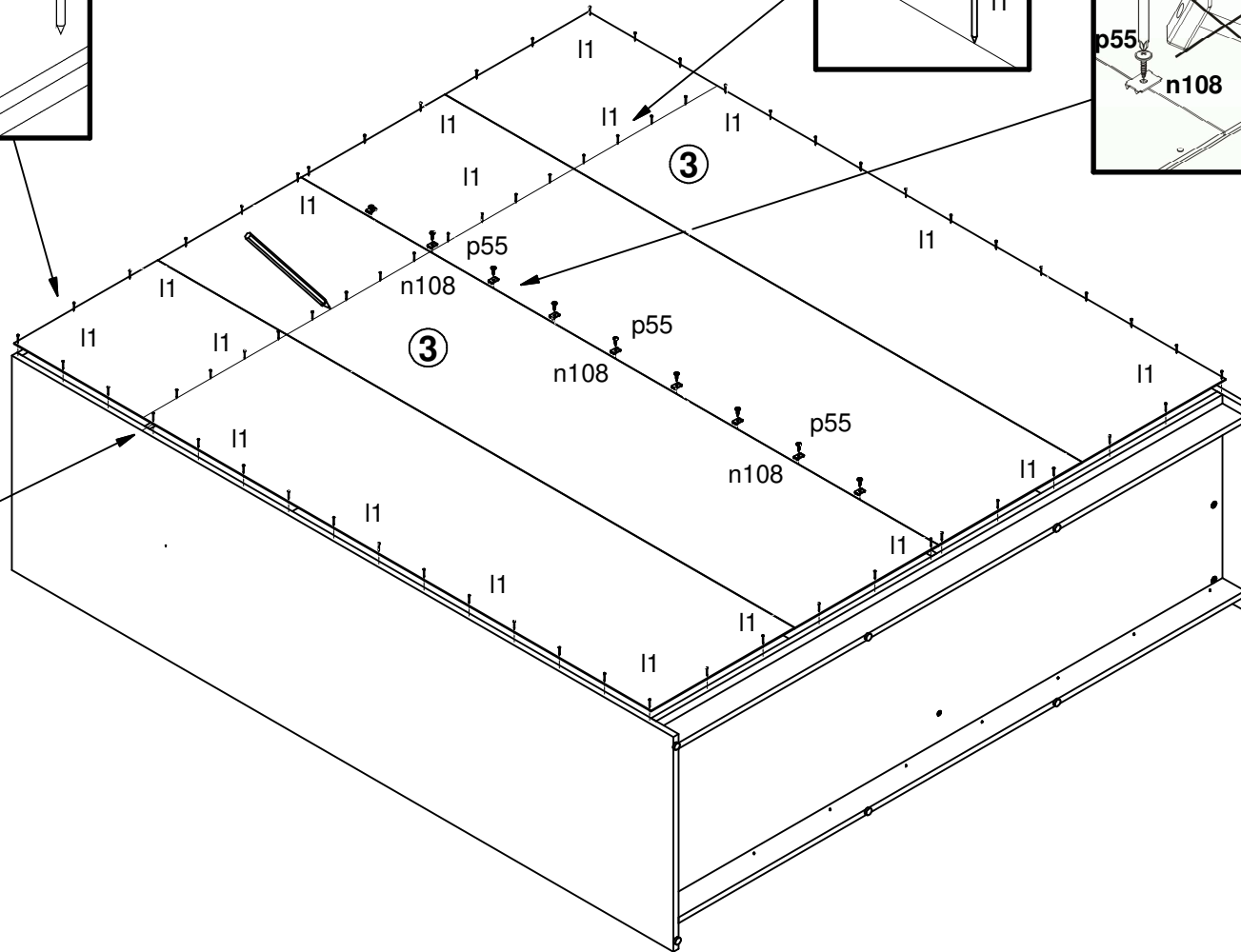
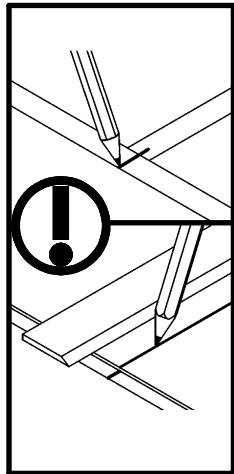
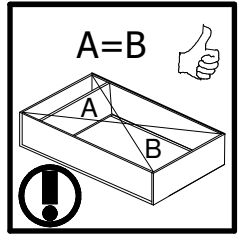
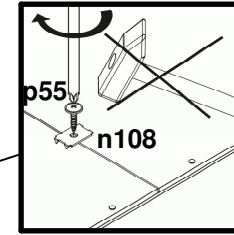
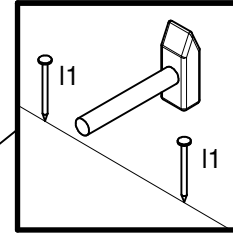
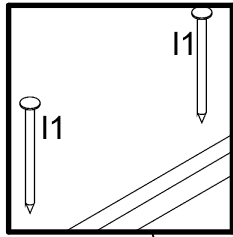



- |                      |                           |           |
|----------------------|---------------------------|-----------|
| 8x<br>Ø7x50 mm<br>e1 | 4x<br>Ø15x12 mm #16<br>r1 | 2x<br>r10 |
|----------------------|---------------------------|-----------|

# 4

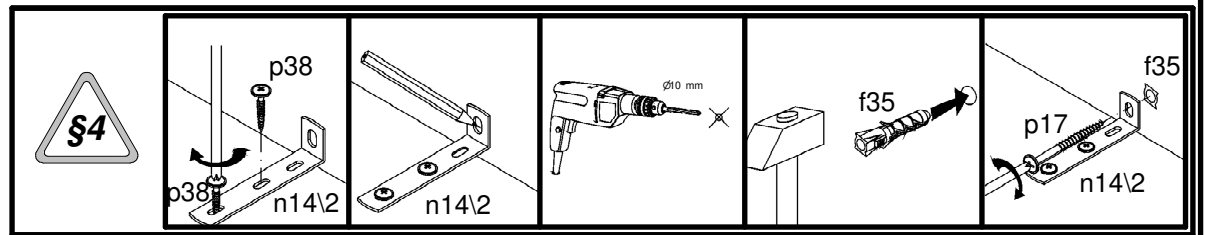
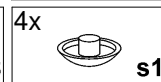
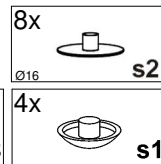
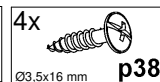
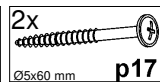
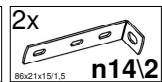
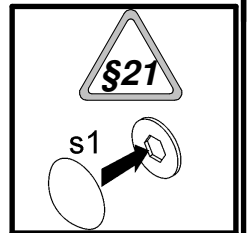
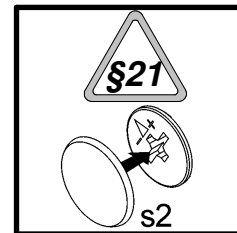
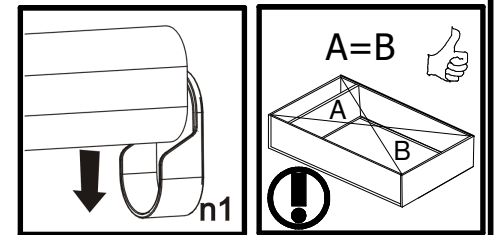
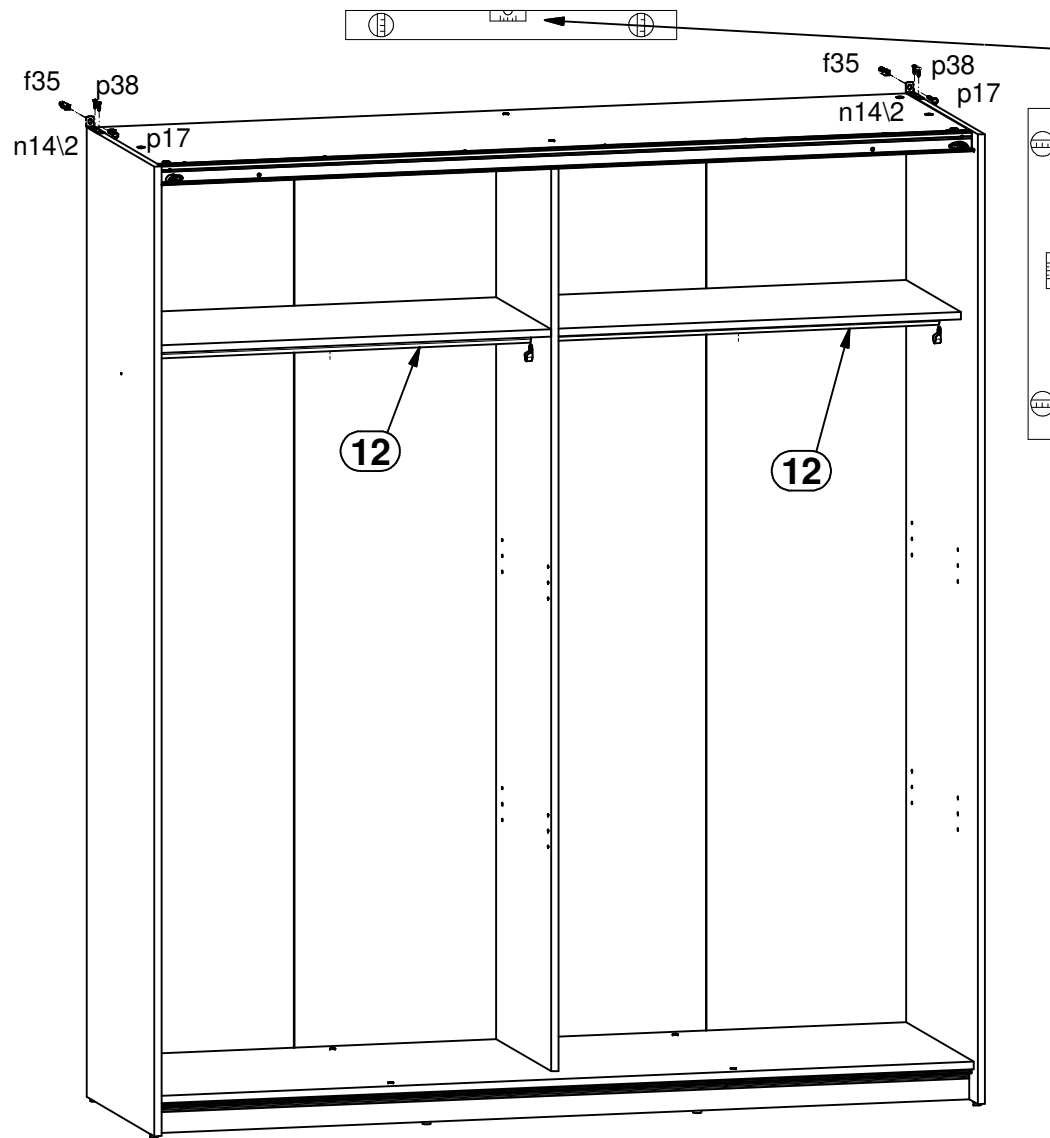


# 5



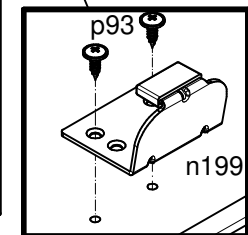
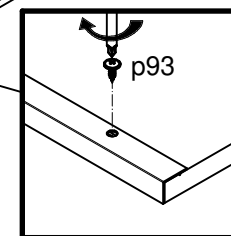
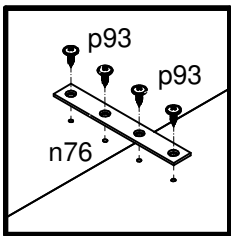
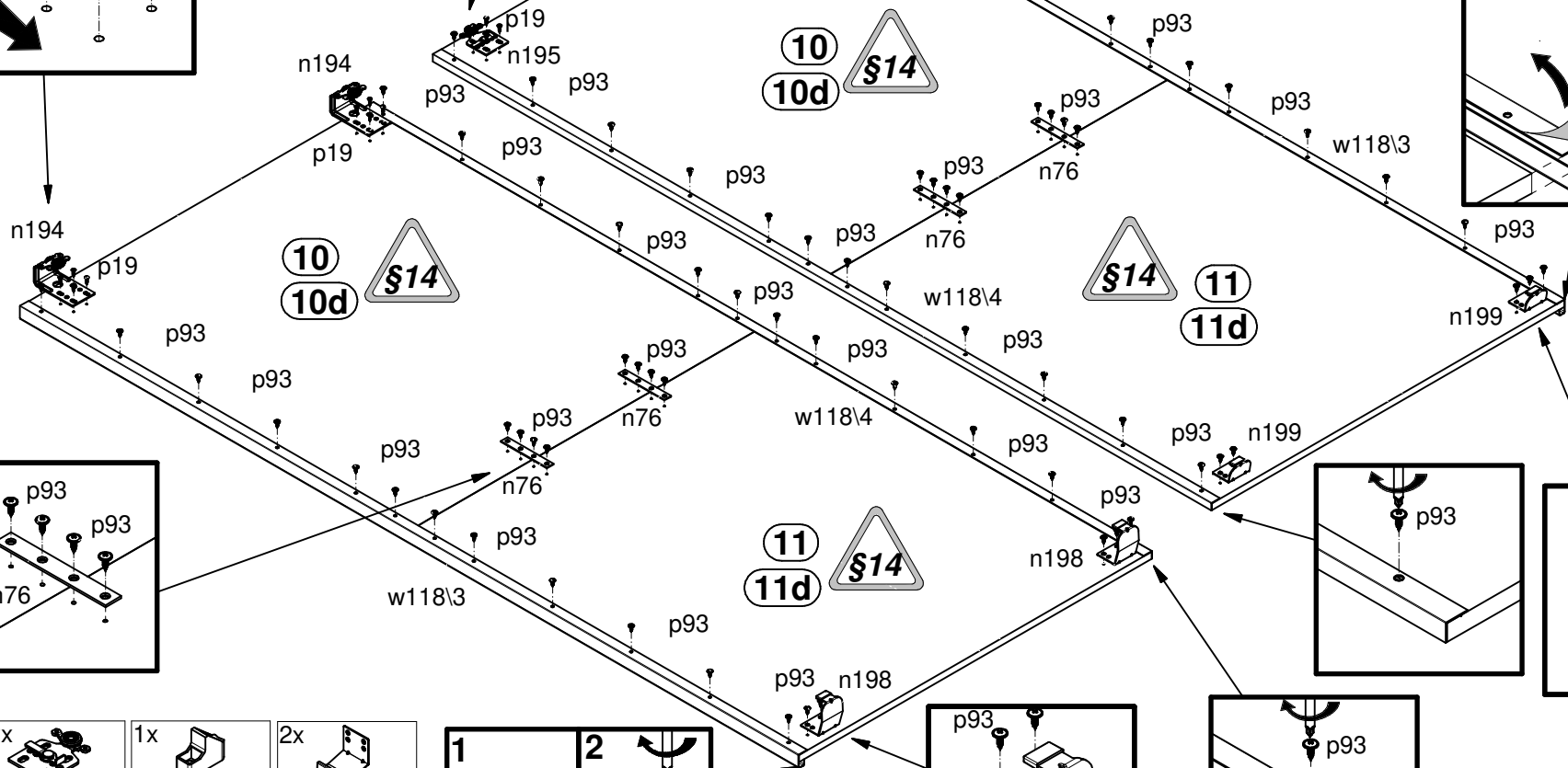
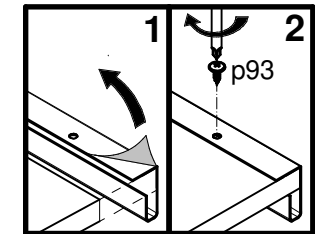
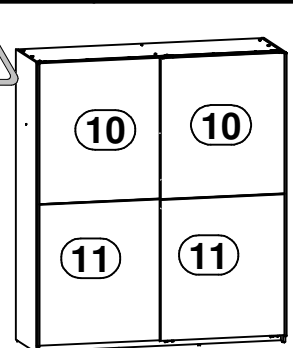
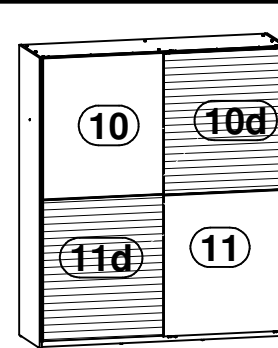
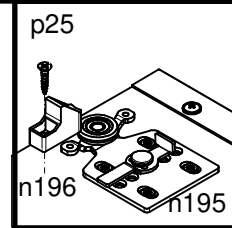
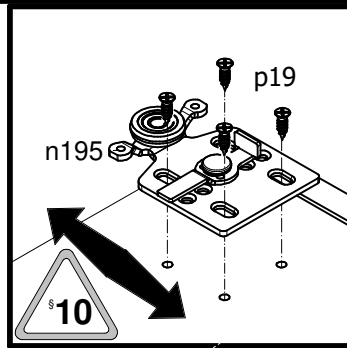
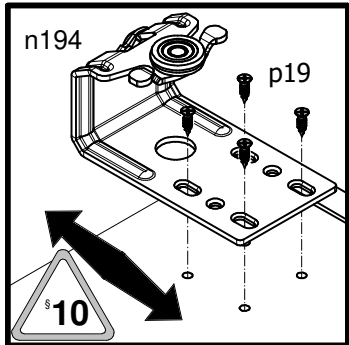
- 85x  l1  
1.4x20 mm
- 9x  n108  
22x9.5x20.7 mm
- 9x  p55  
Ø2.9x16 mm

# 6

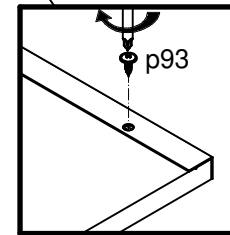
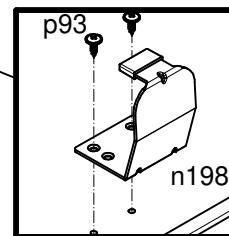
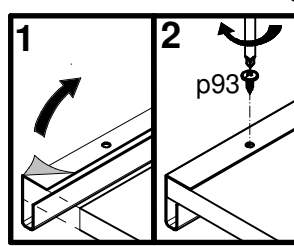




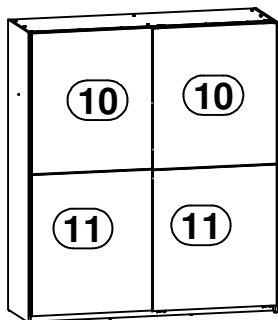
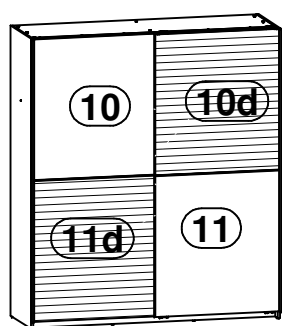
7



- |                            |                               |                               |                             |
|----------------------------|-------------------------------|-------------------------------|-----------------------------|
| 2x<br><br>n194             | 2x<br><br>n195                | 1x<br><br>n196                | 2x<br><br>n198              |
| 2x<br><br>n199             | 4x<br><br>n76                 | 16x<br><br>p19<br>Ø4x16 mm    | 1x<br><br>p25<br>Ø3.5x16 mm |
| 72x<br><br>p93<br>Ø4x13 mm | 2x<br><br>w118/3<br>L=1900 mm | 2x<br><br>w118/4<br>L=1900 mm |                             |



8



9

