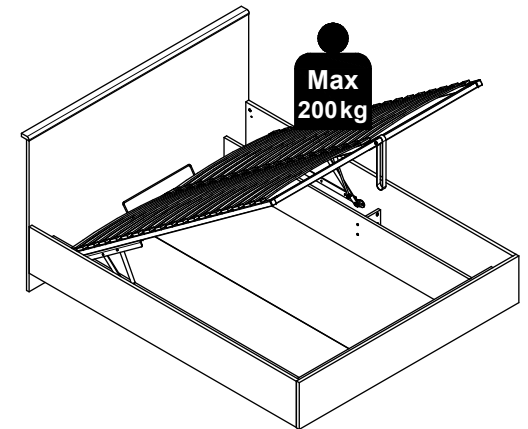
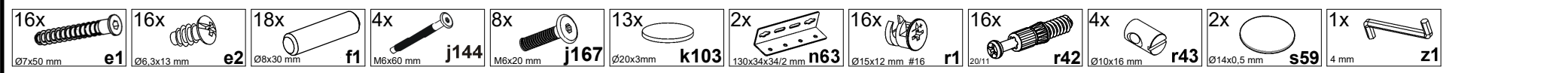
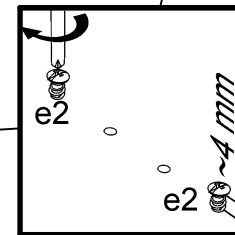
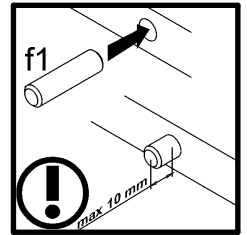
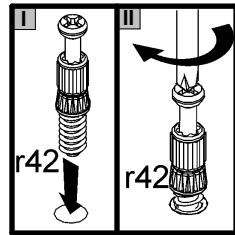
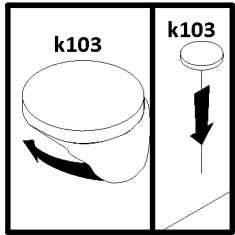
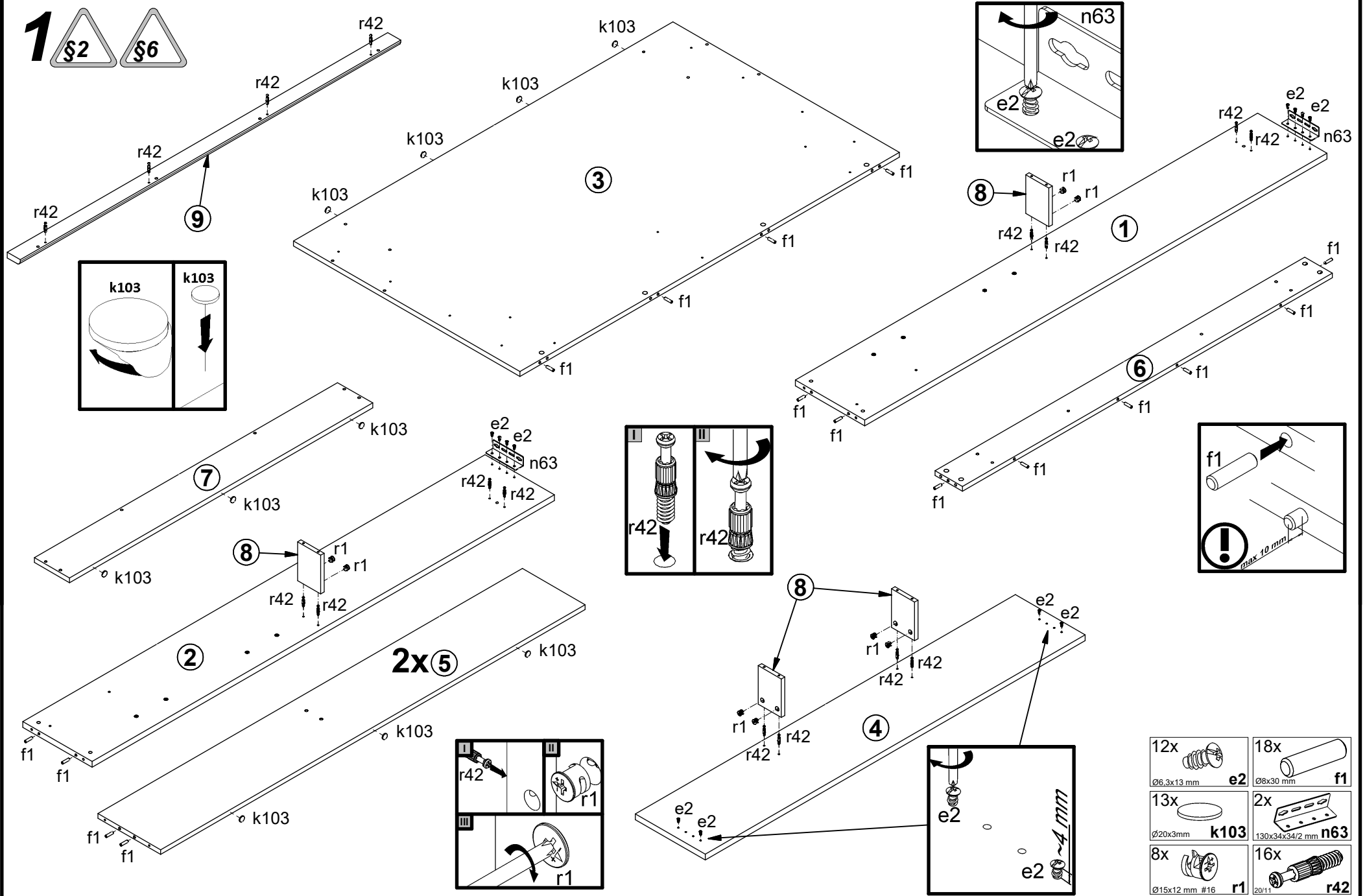


| A | B | C (mm) | | | D |
|----|-----------|--------|-----|----|-----|
| 1 | L139-1001 | 2000 | 300 | 22 | 1/6 |
| 2 | L139-1002 | 2000 | 300 | 22 | 1/6 |
| 3 | L139-4001 | 1644 | 978 | 18 | 3/6 |
| 4 | L139-4002 | 1644 | 302 | 22 | 4/6 |
| 5 | L139-4005 | 1837 | 271 | 18 | 2/6 |
| 6 | L139-4006 | 1600 | 119 | 18 | 4/6 |
| 7 | L139-4007 | 1312 | 152 | 18 | 4/6 |
| 8 | L139-4008 | 145 | 100 | 15 | 4/6 |
| 9 | L139-5001 | 1646 | 56 | 22 | 4/6 |
| 10 | L139-9001 | 1835 | 636 | 6 | 2/6 |



| D |
|-----|
| 4/6 |

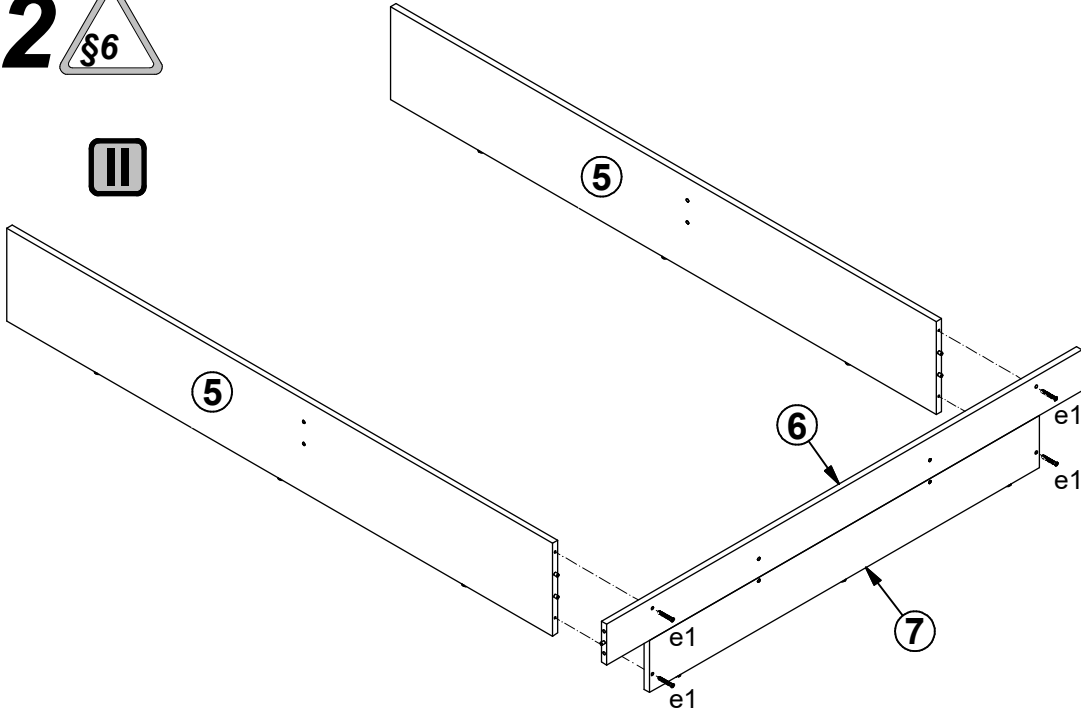




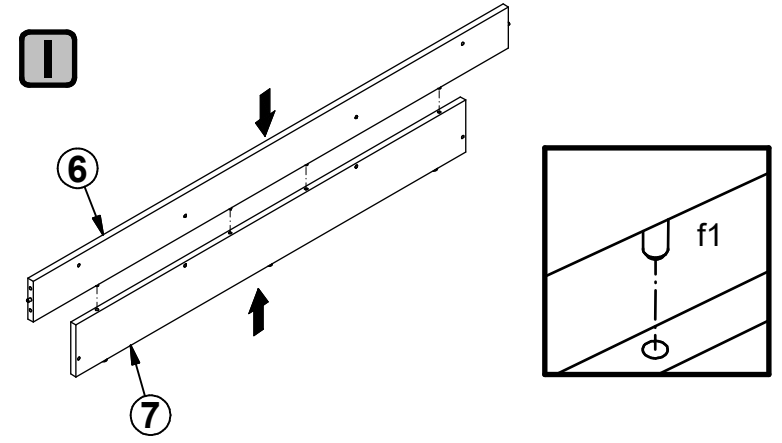
| | |
|---------------------------|-----------------------------|
| 12x Ø6.3x13 mm e2 | 18x Ø8x30 mm f1 |
| 13x Ø20x3mm k103 | 2x 130x34x34/2 mm n63 |
| 8x Ø15x12 mm #16 r1 | 16x 20/11 r42 |

2 

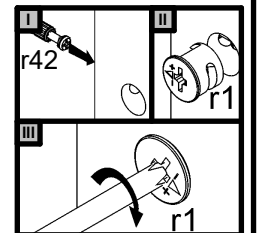
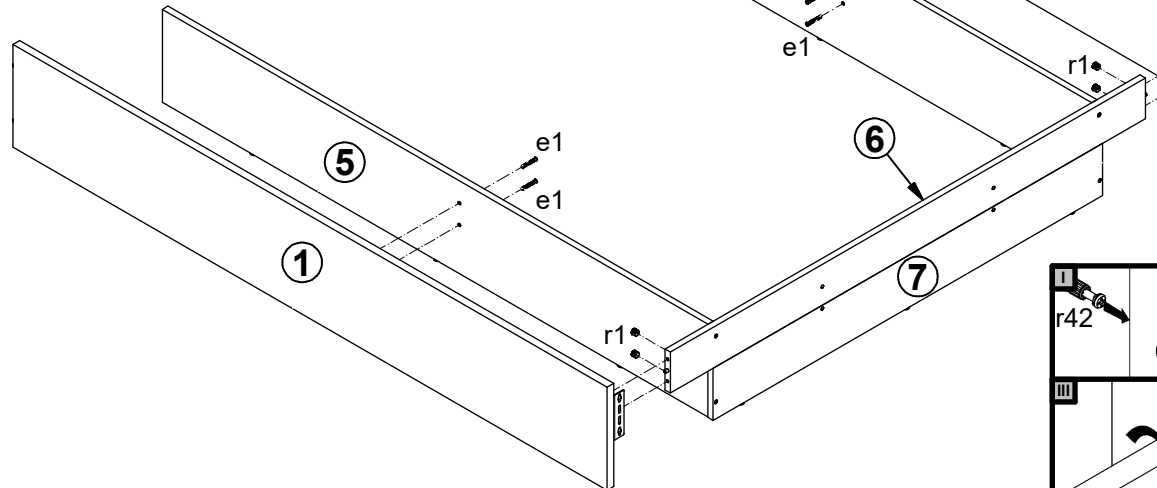
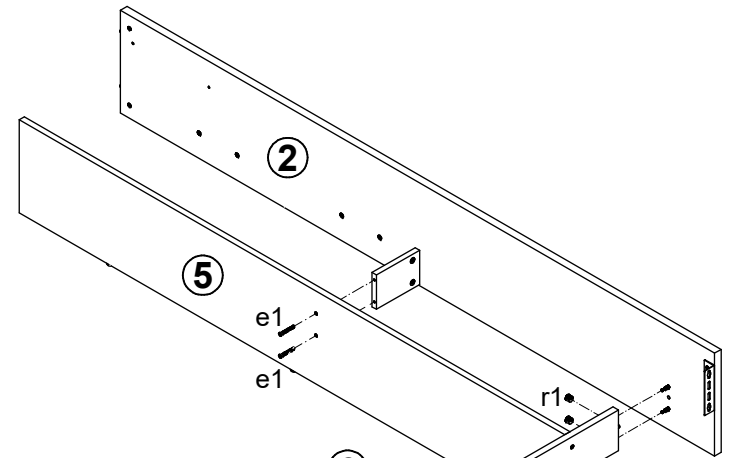
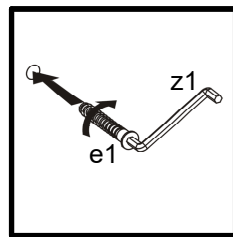












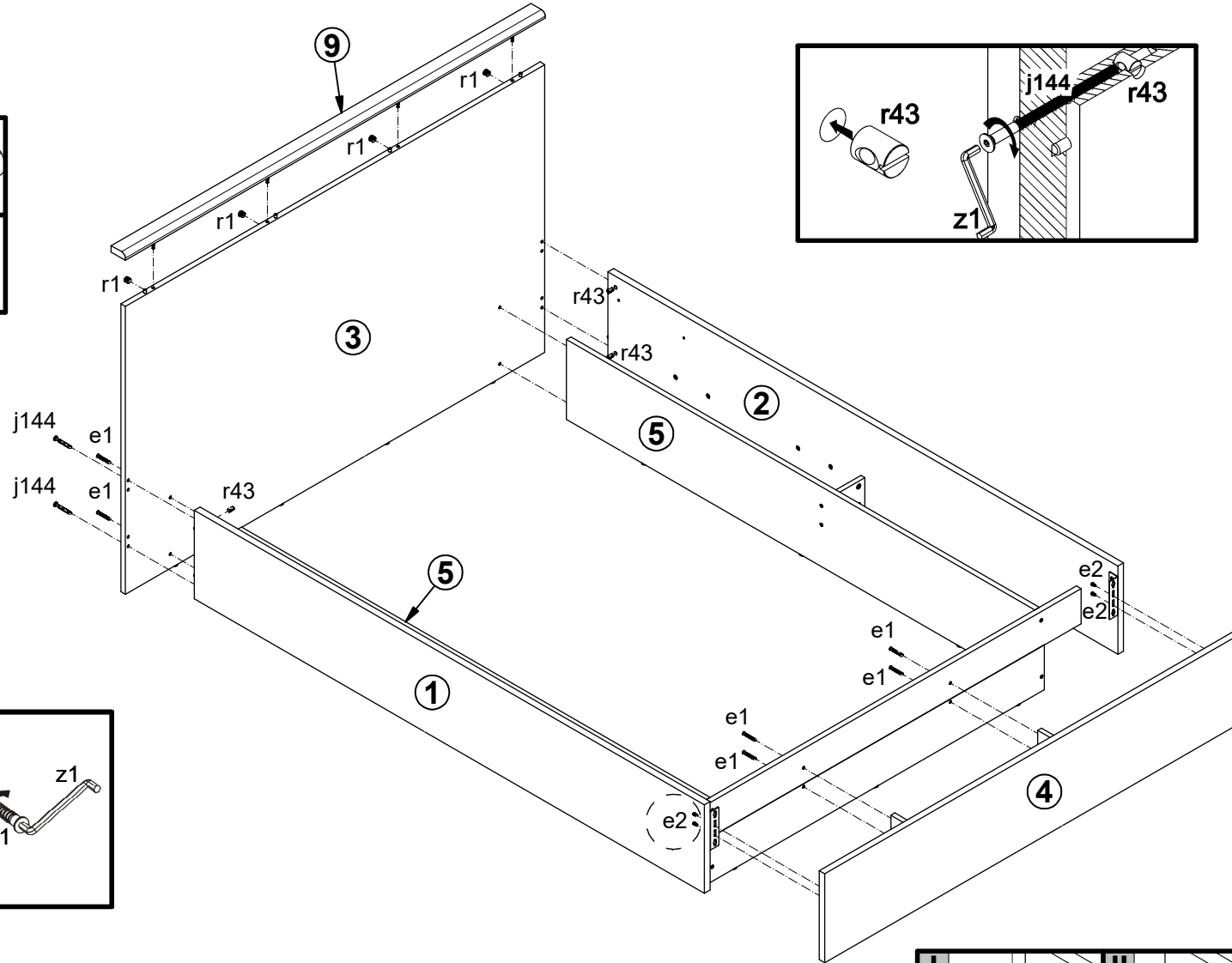
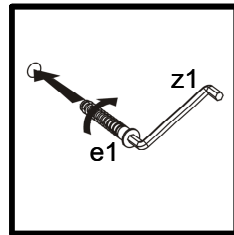
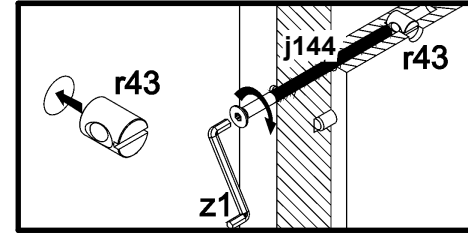
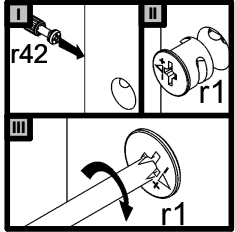





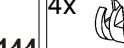
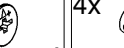

8x  e1
Ø7x50 mm

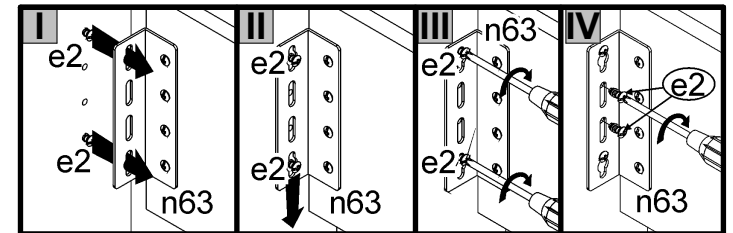
4x  r1
Ø15x12 mm #16

3

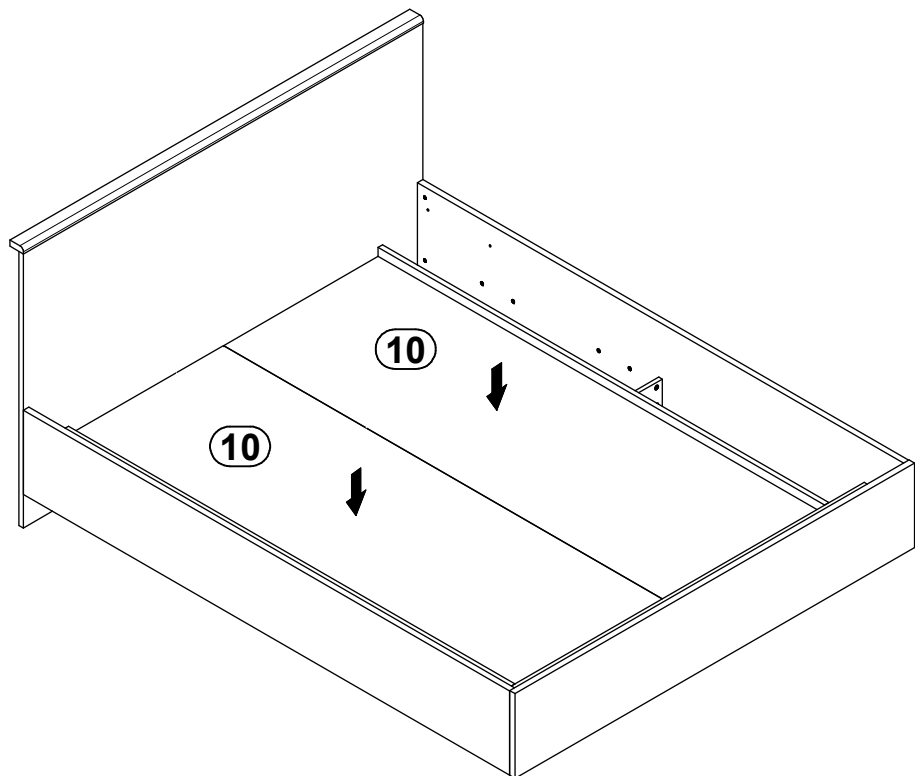
§6



- 8x  **e1** Ø7x50 mm
- 4x  **e2** Ø6.3x13 mm
- 4x  **j144** M6x60 mm
- 4x  **r1** Ø15x12 mm #16
- 4x  **r43** Ø10x16 mm
- 1x  **z1** 4 mm



4



5 

