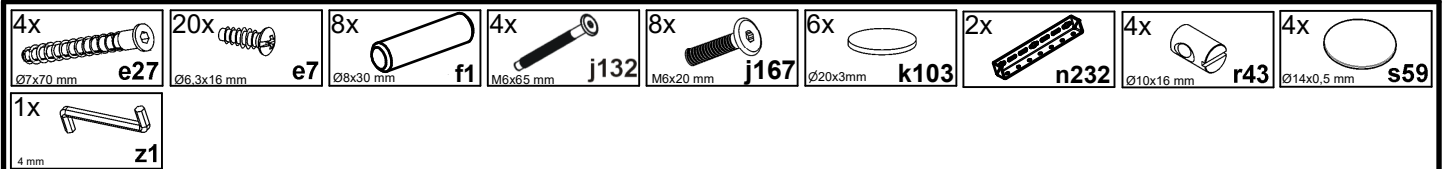
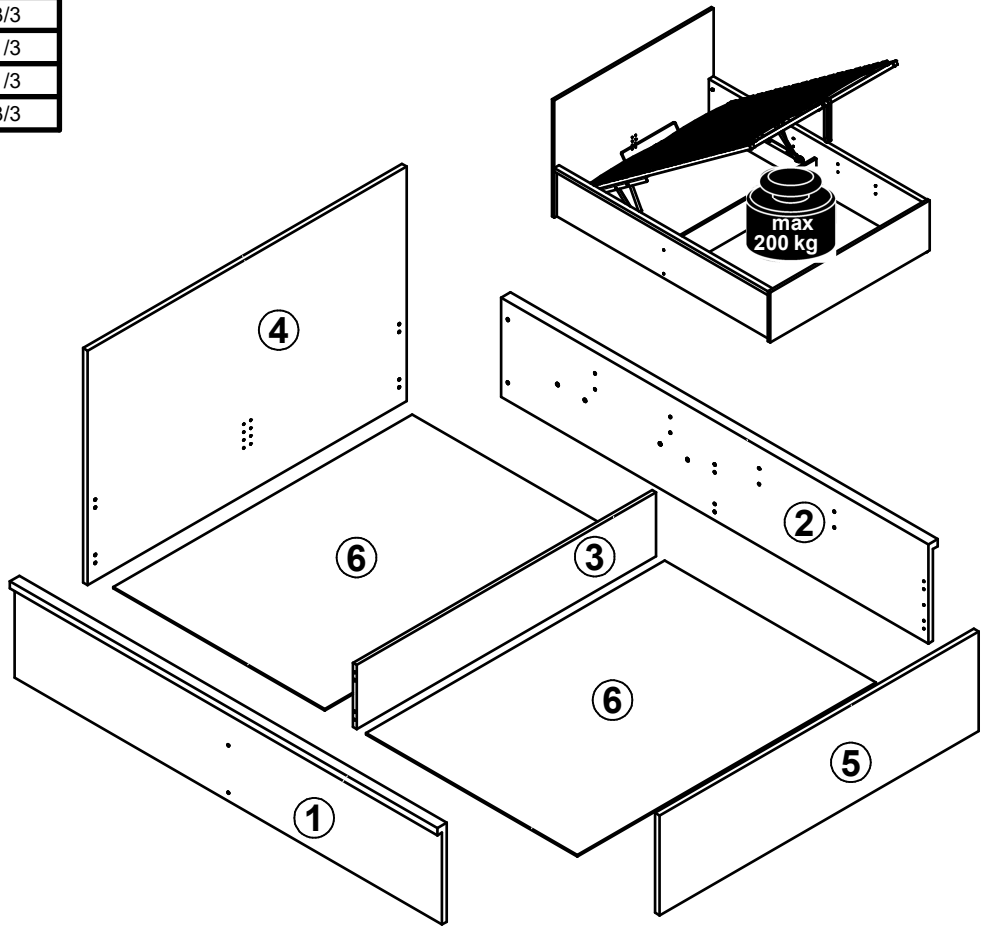
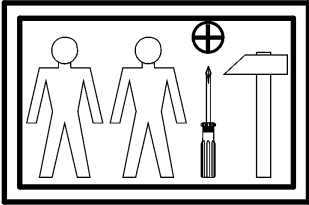


A TETRIX

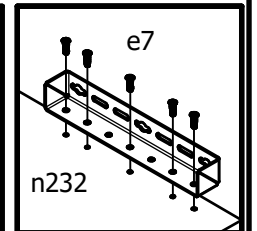
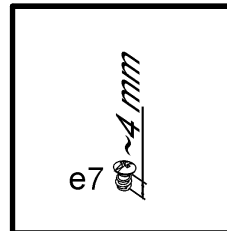
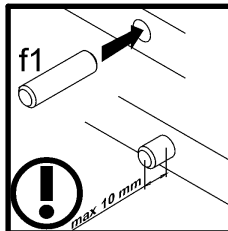
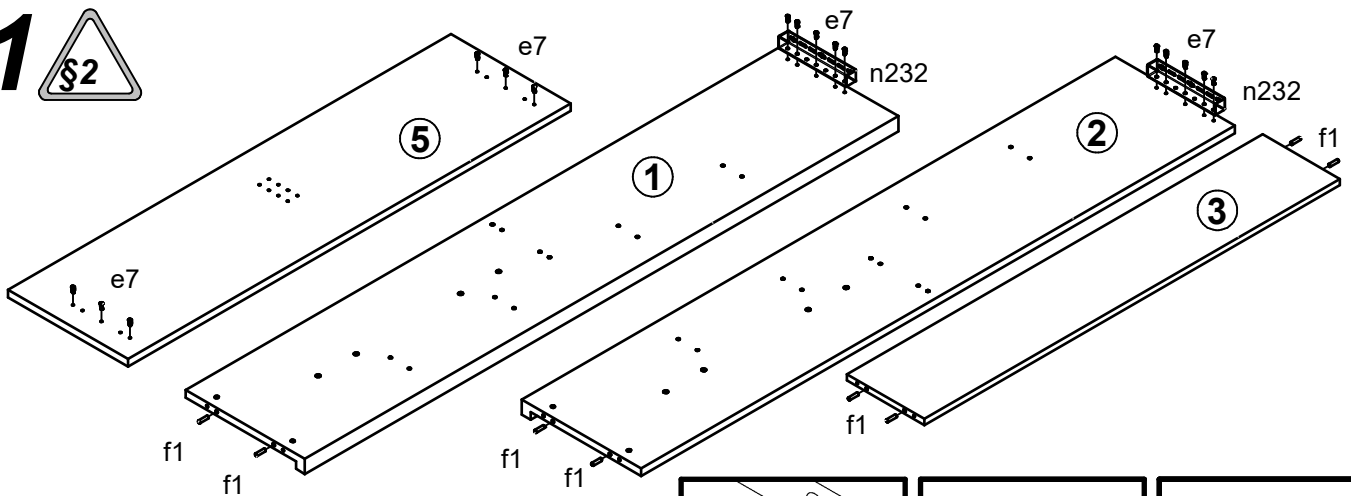
A	B	C	D
1	S442-1001	2000	402
2	S442-1002	2000	402
3	S442-4003	1400	260
4	S442-4005	1492	950
5	S442-4006	1492	404
6	S442-9002	1398	989



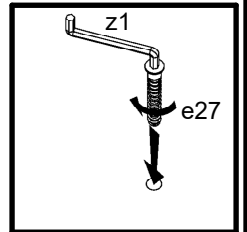
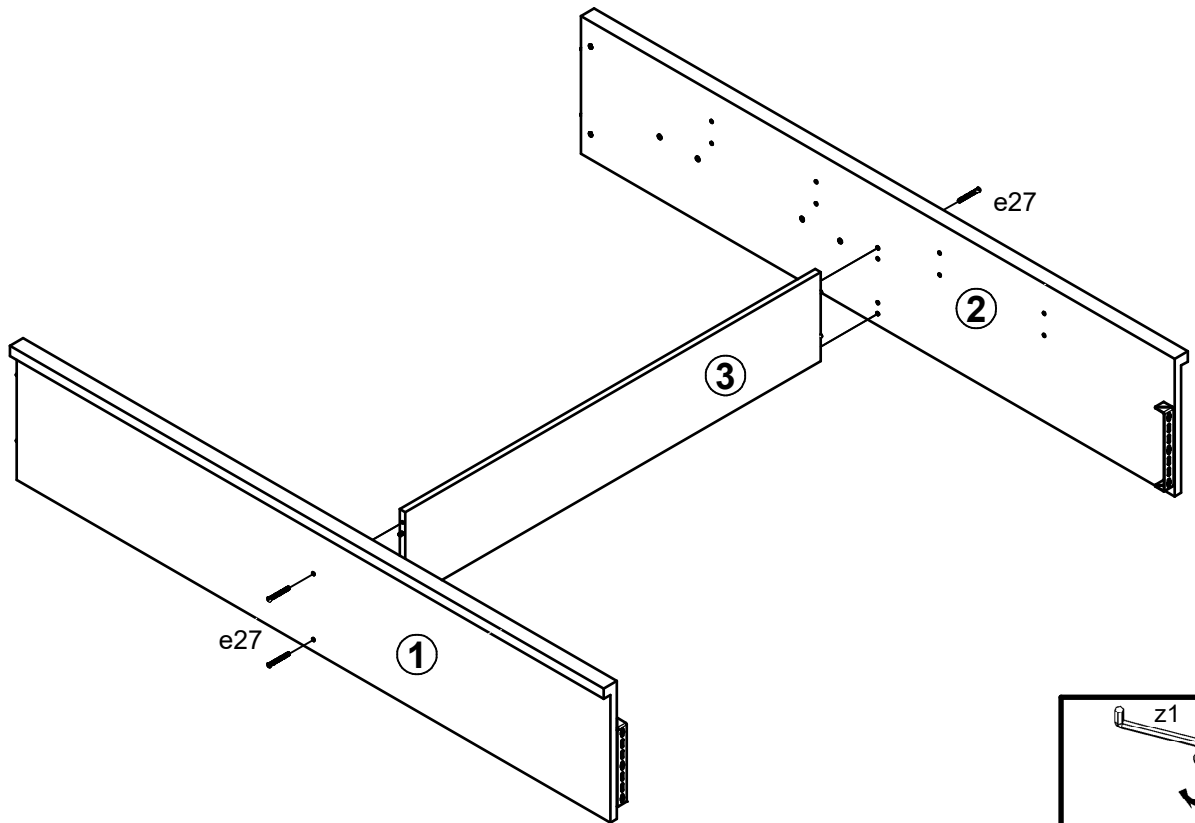
S442-LOZ/140/B



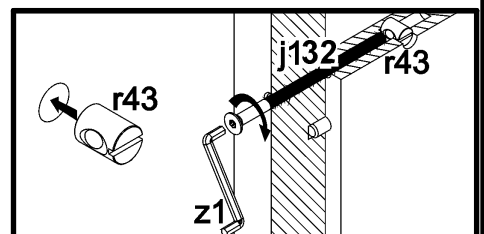
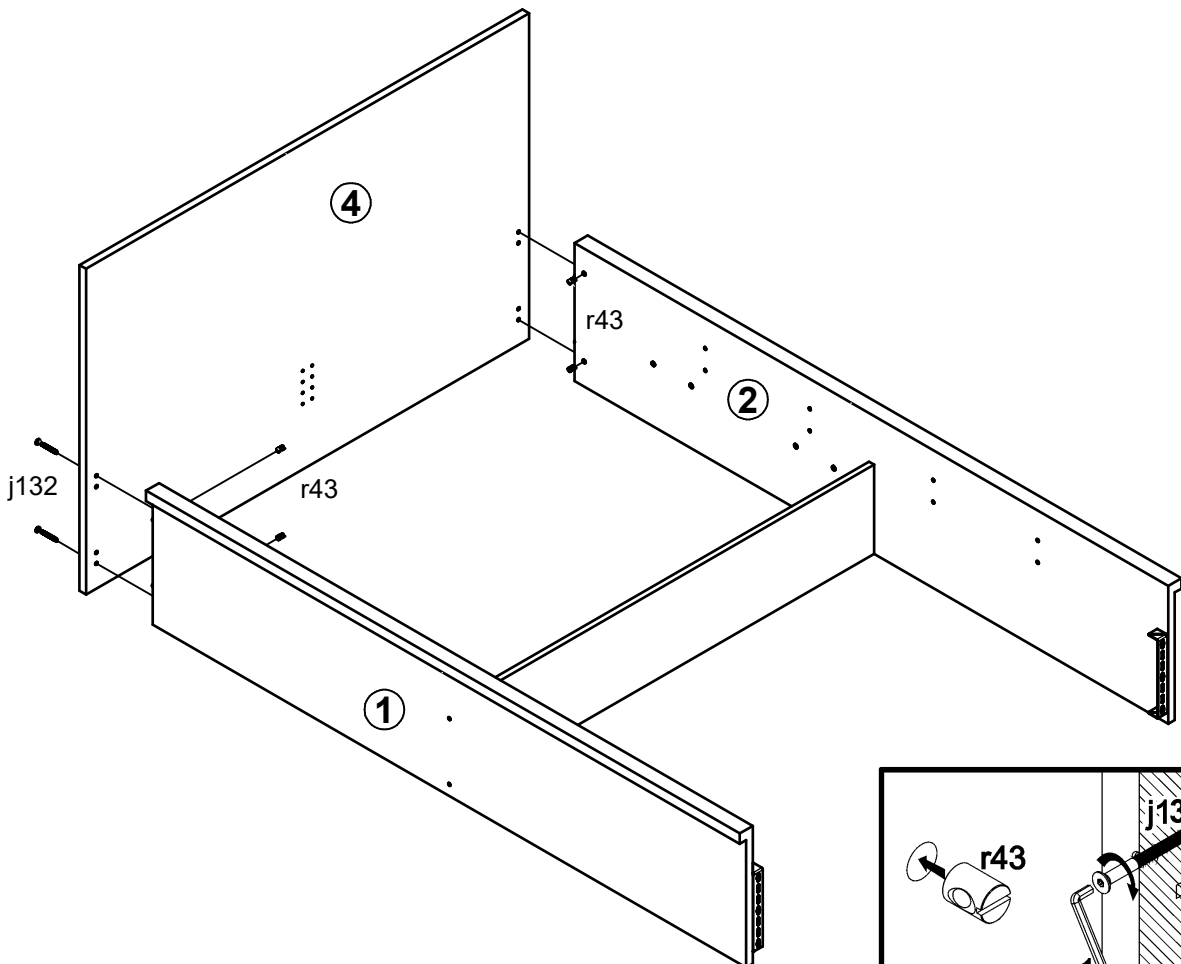
1 §2



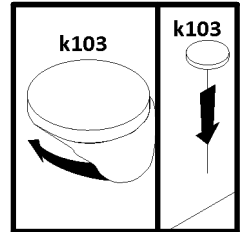
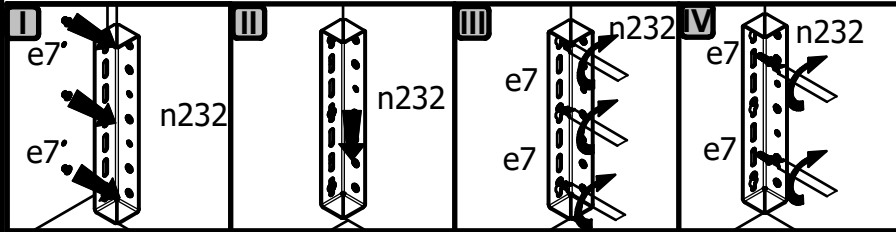
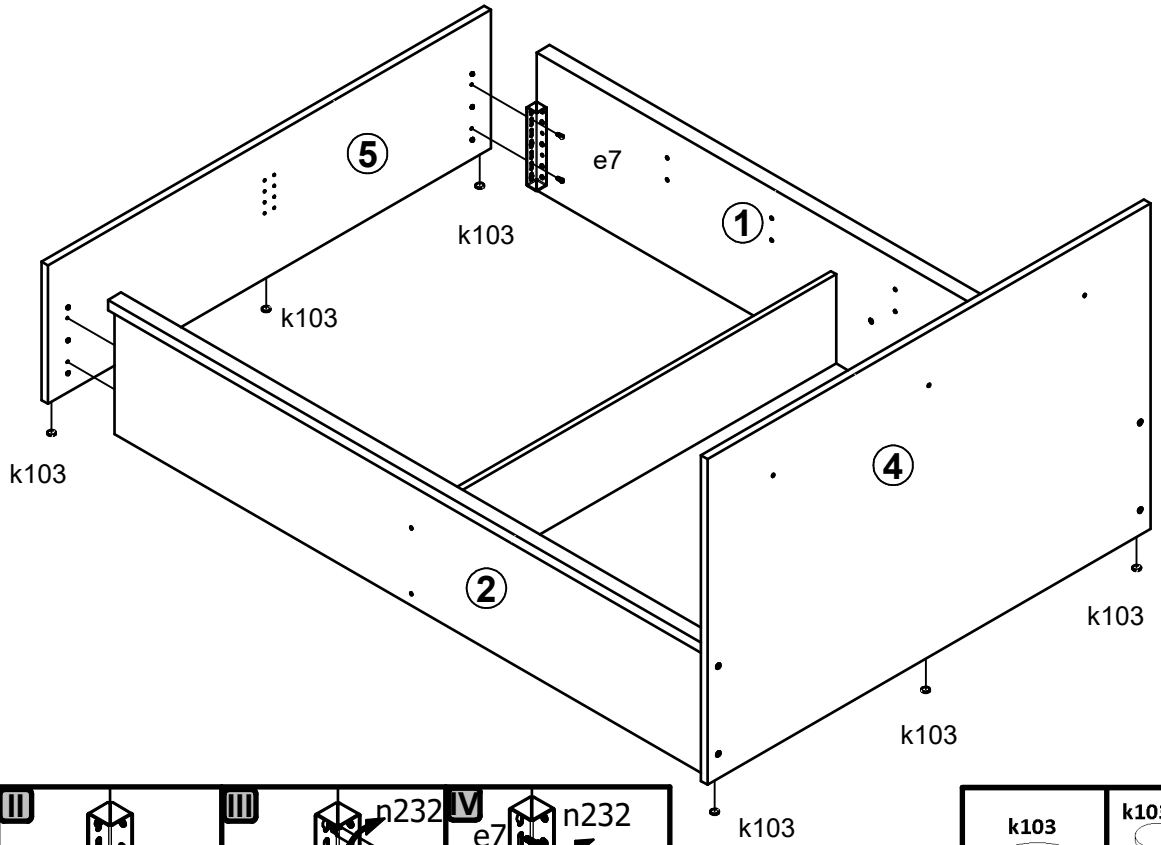
2



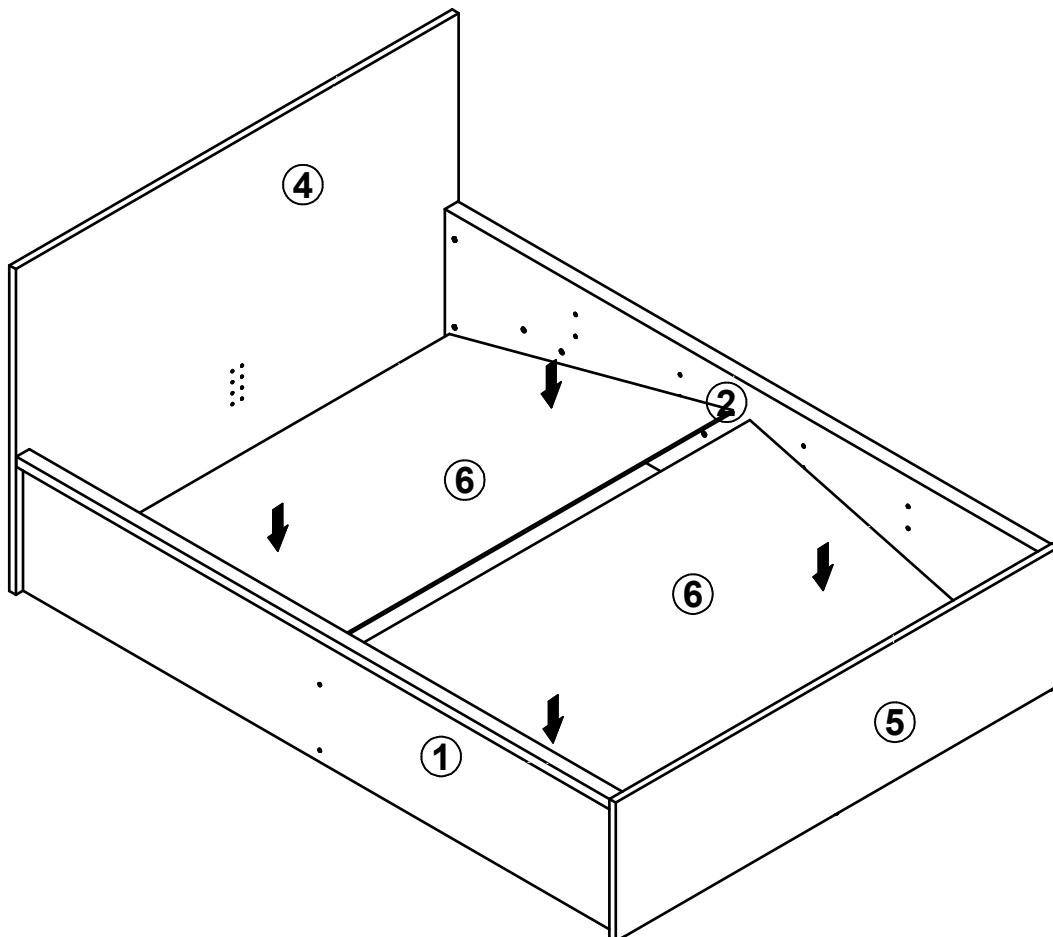
3



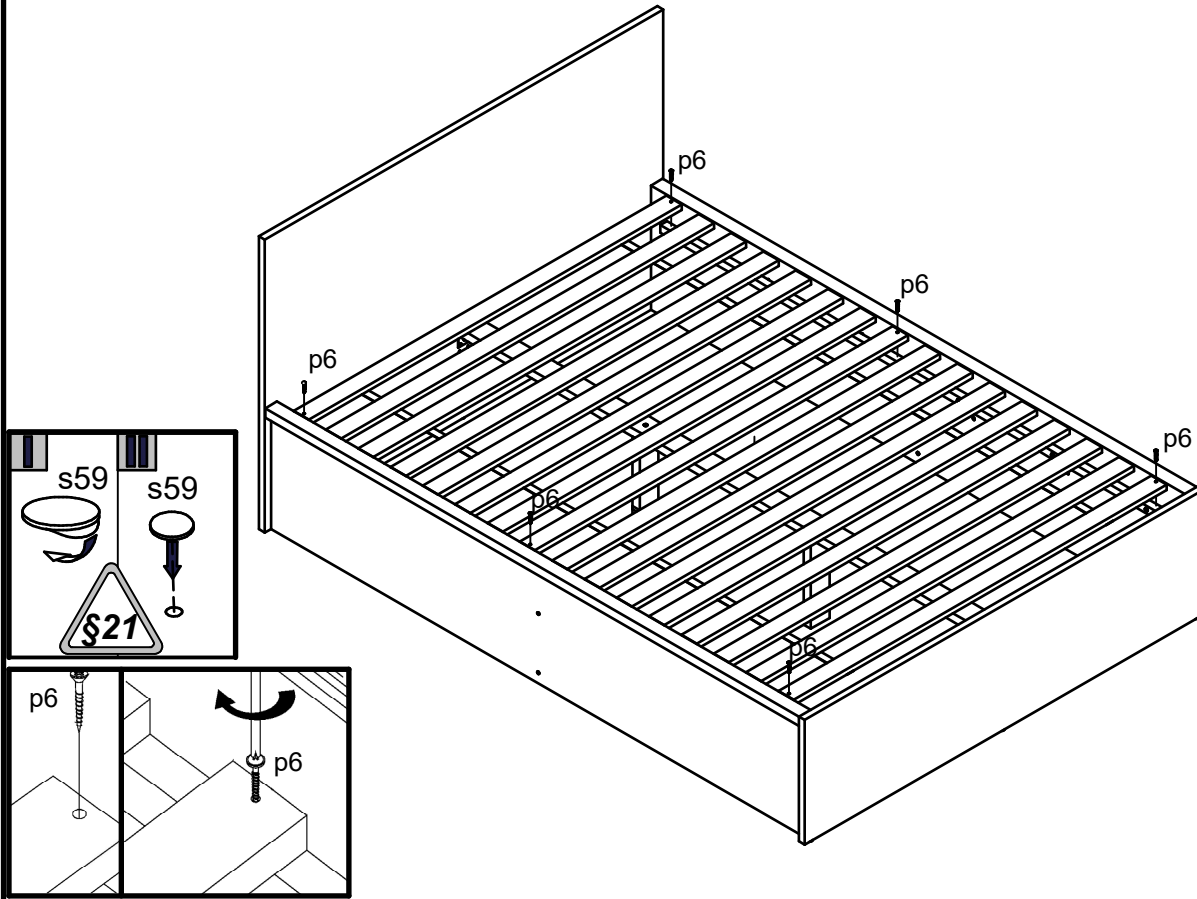
4



5



6 S442-LOZ/140/A



6 S442-LOZ/140/B

