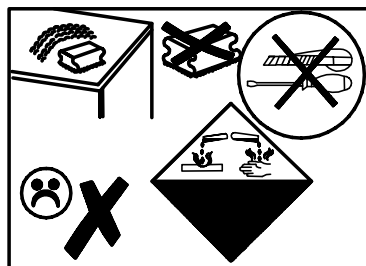
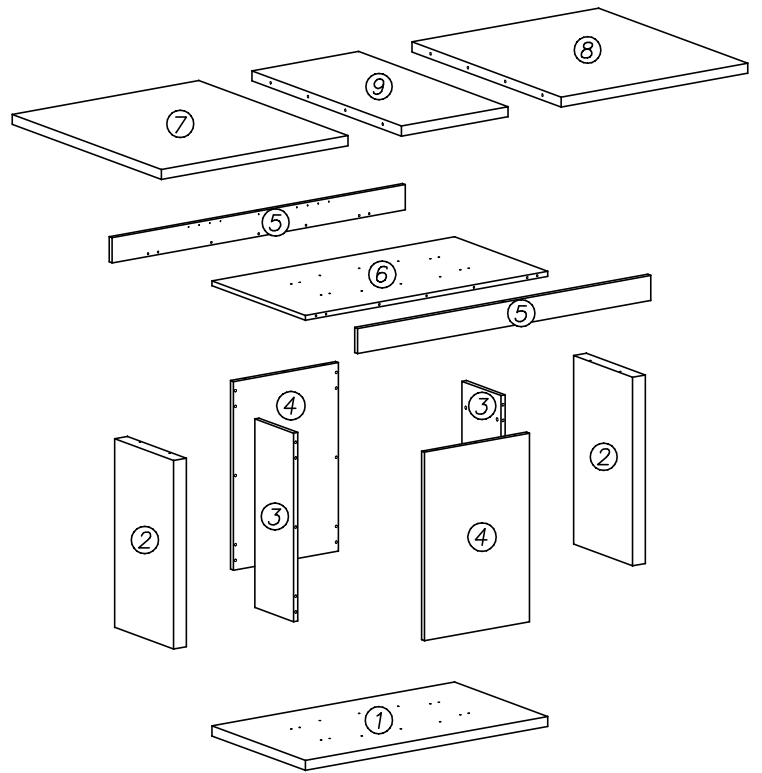
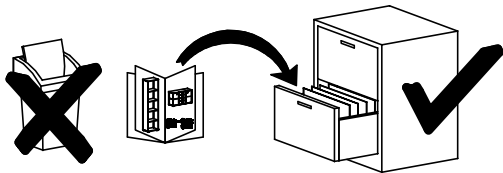
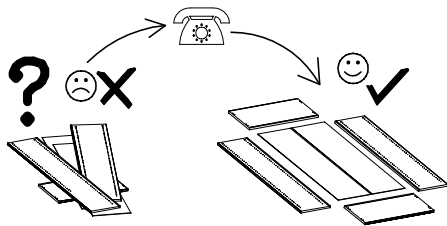
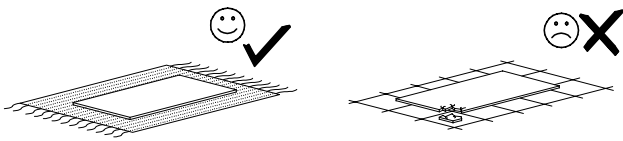
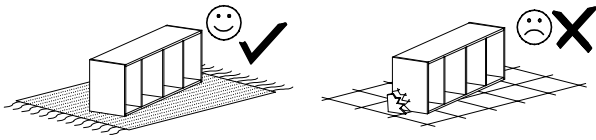
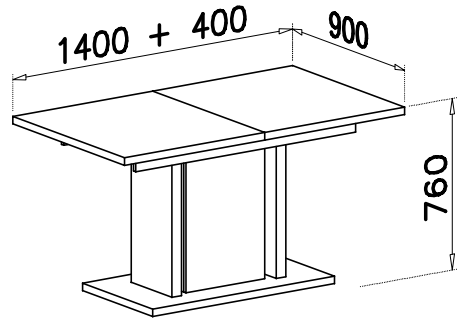
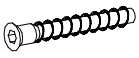
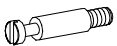

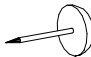
 40min





A1   
7 x 50 x20

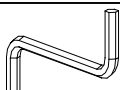
K5   
x14


K1   
x14


P4   
x6


I10   
x6

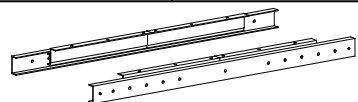
B6   
x10


W2   
x1


I11   
x10

B7   
8 x 30 x20

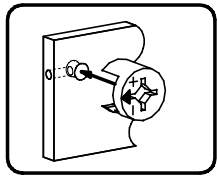
J10   
x4

H13   
x1

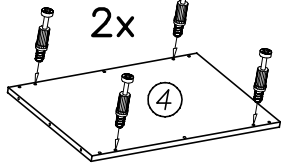
G40   
4 x 15 x8

G10   
6,3 x 13 x34

I



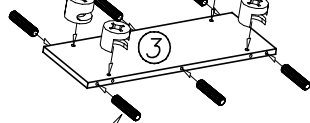
K5



2x

4

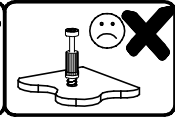
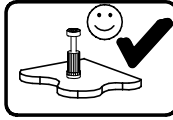
2x



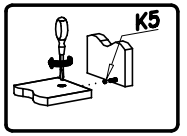
K1

3

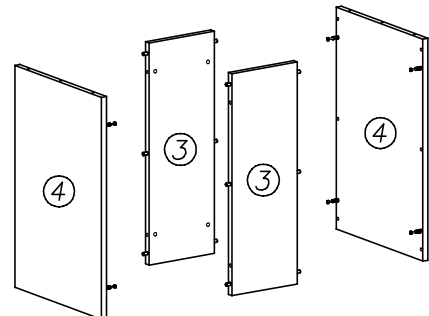
B7



II



K5



4

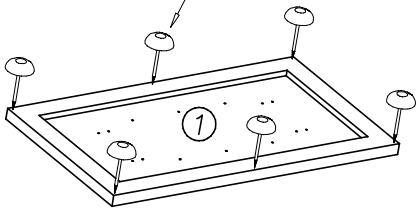
3

3

4

III

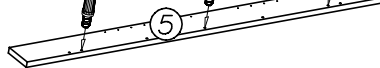
P4



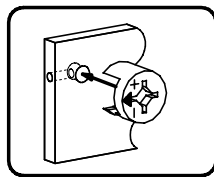
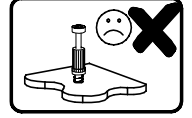
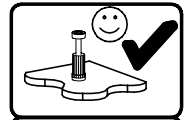
1

K5

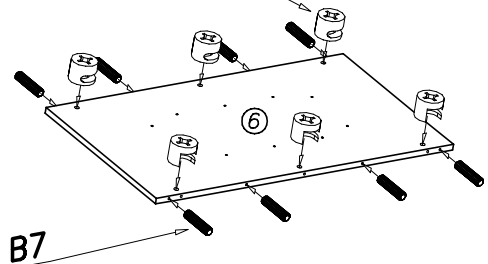
2x



5



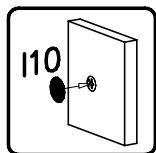
K1



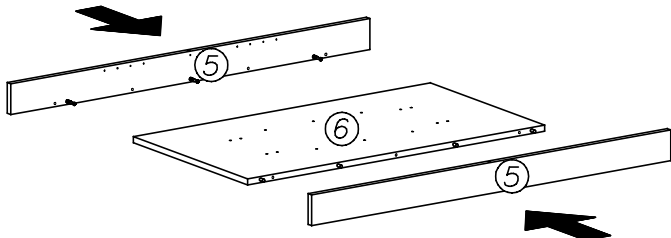
6

B7

IV



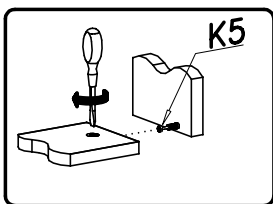
110



5

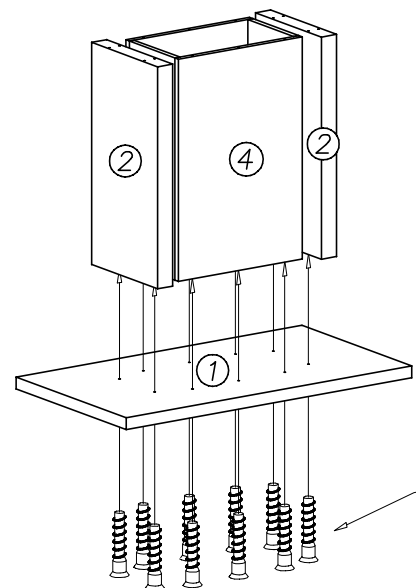
6

5



K5

V



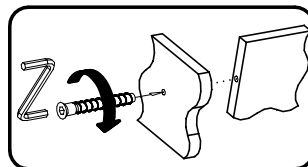
2

4

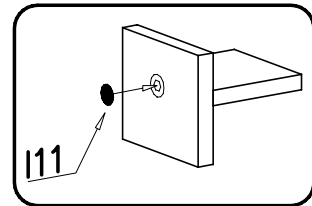
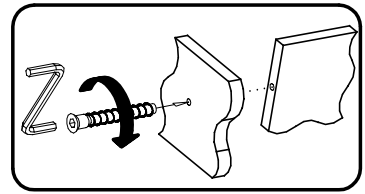
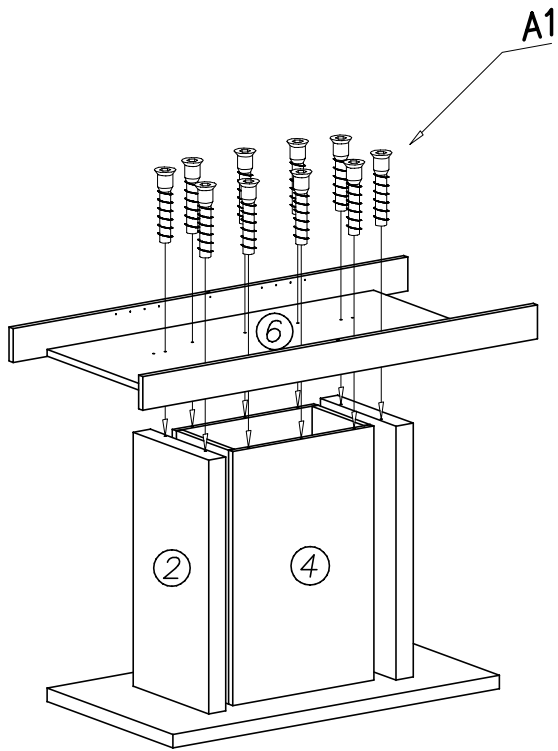
2

7

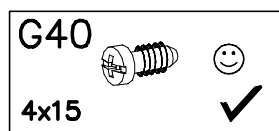
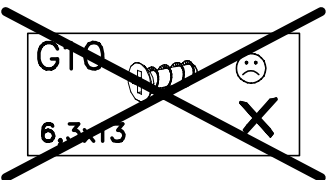
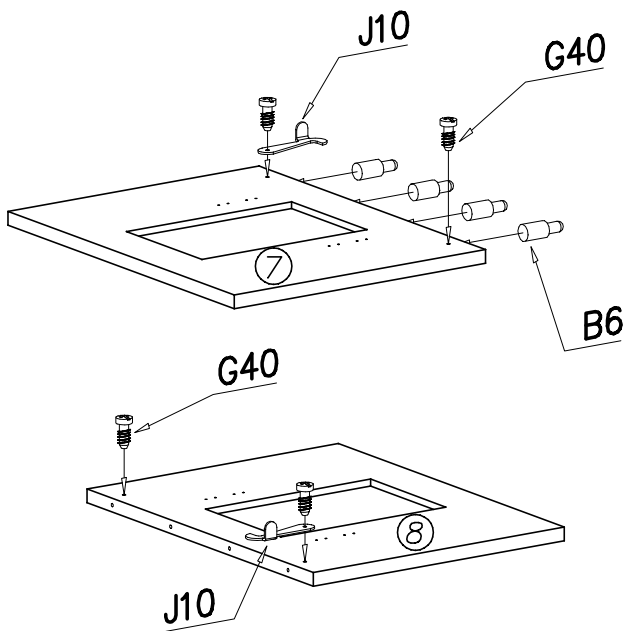
A1



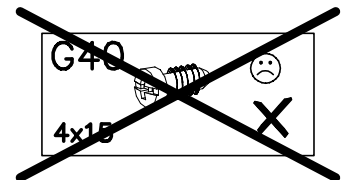
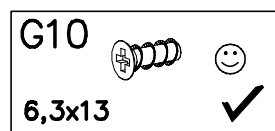
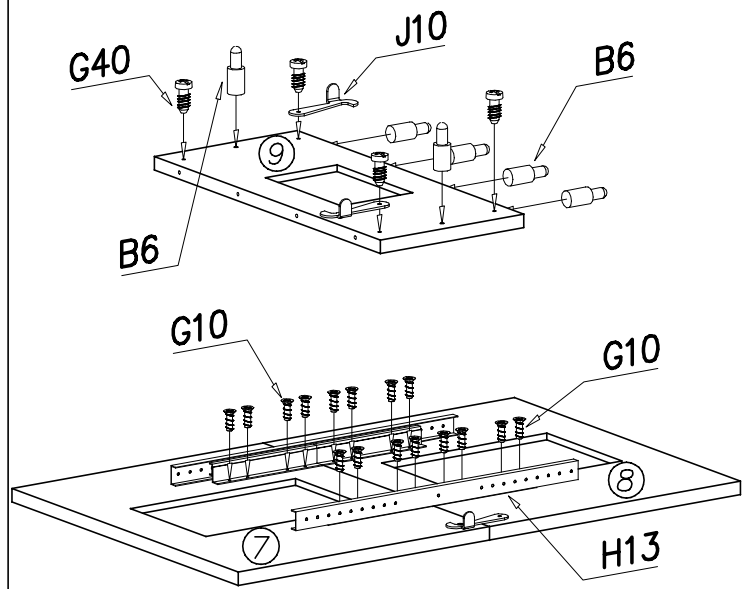
VI



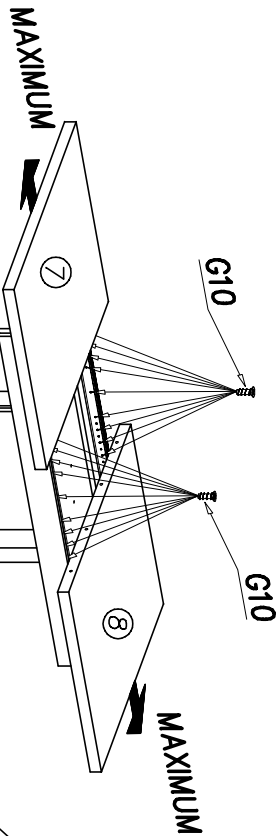
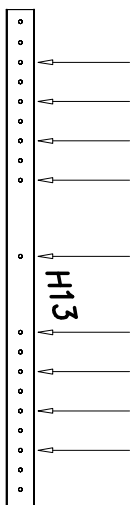
VII



VIII



IX



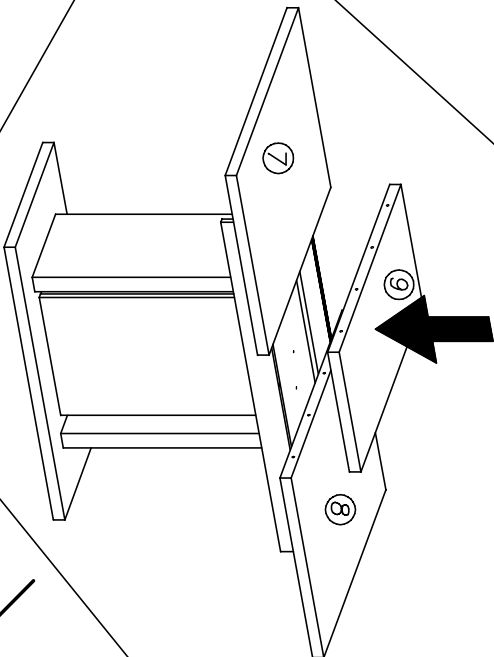
G10

6,3x13

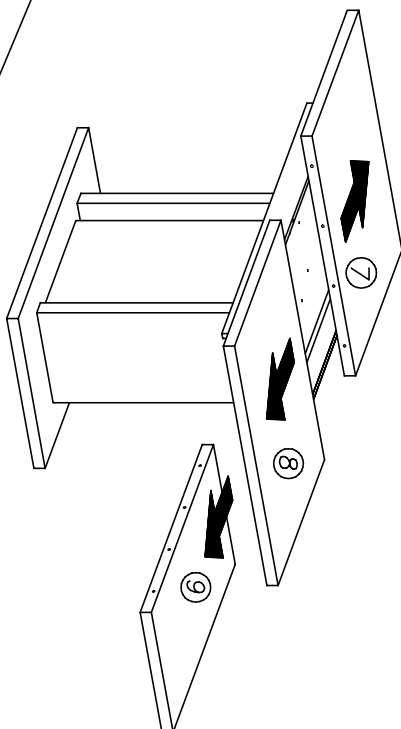
~~G40~~

~~4x12~~

XI



X



XIII

XIII

