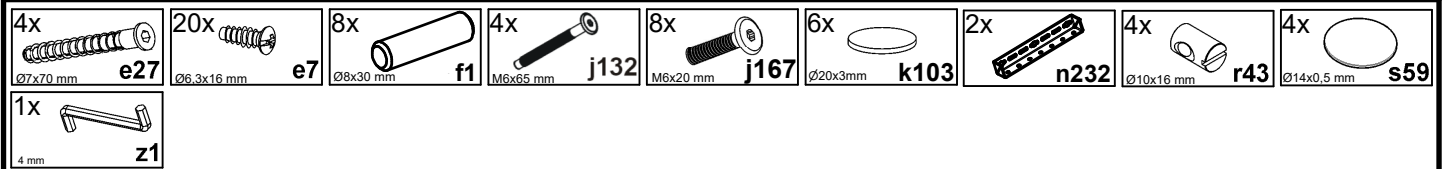
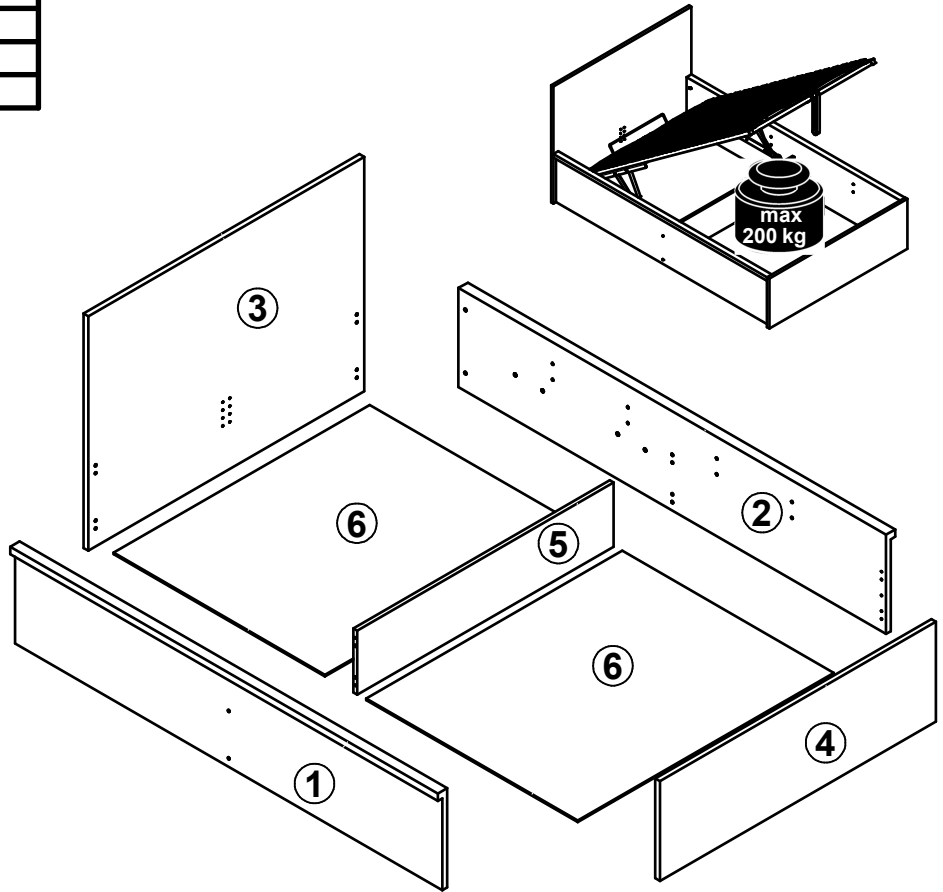
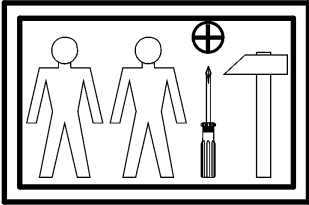


# A TETRIX

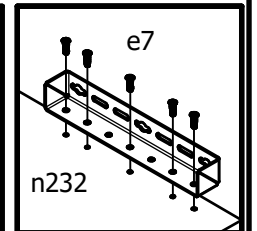
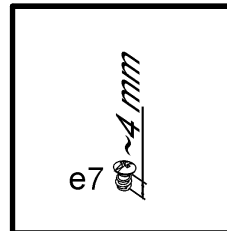
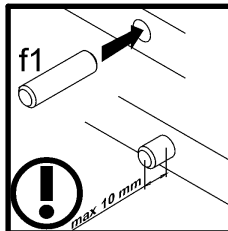
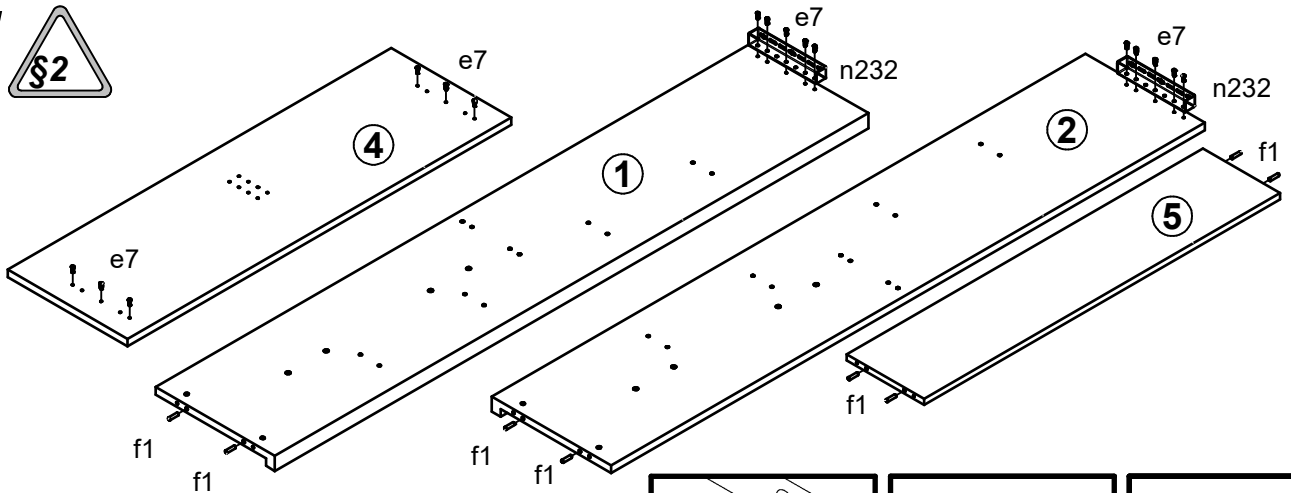
A	B	C	D	
1	S442-1001	2000	402	2/3
2	S442-1002	2000	402	2/3
3	S442-4007	1292	950	1/3
4	S442-4008	1292	404	1/3
5	S442-4009	1200	260	3/3
6	S442-9003	1198	989	3/3



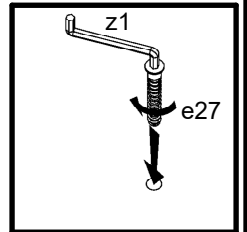
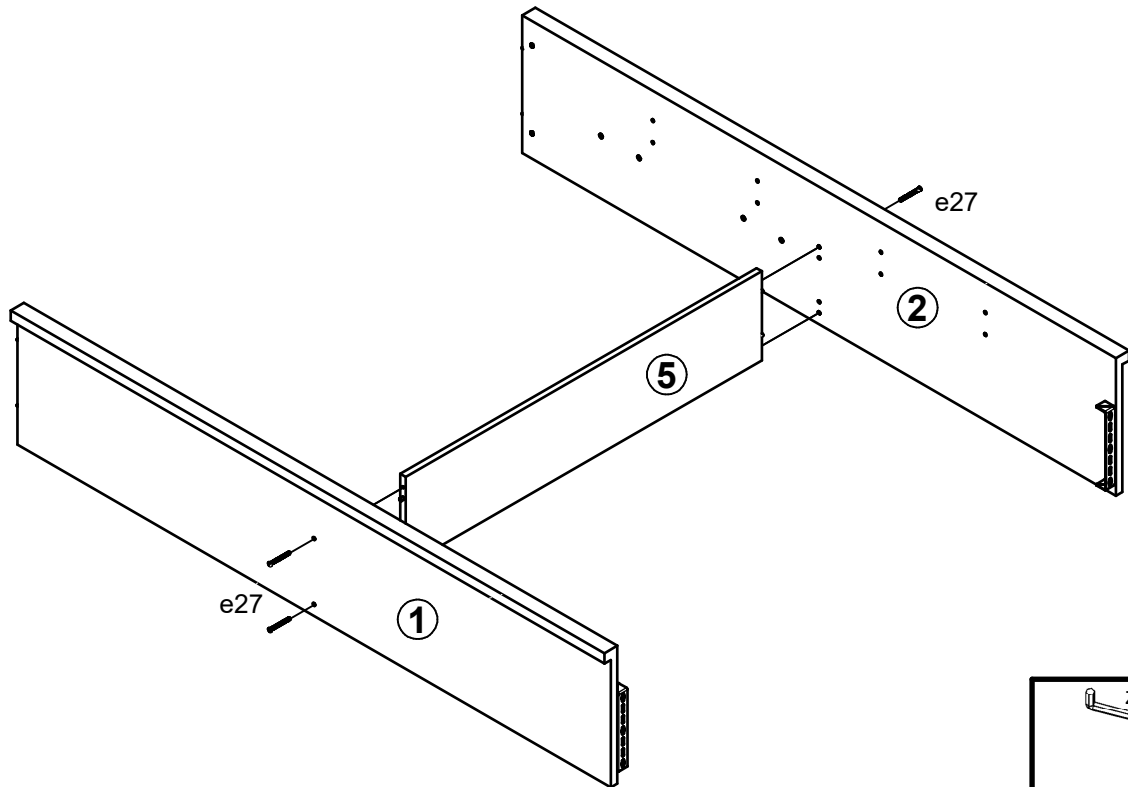
## S442-LOZ/120/B



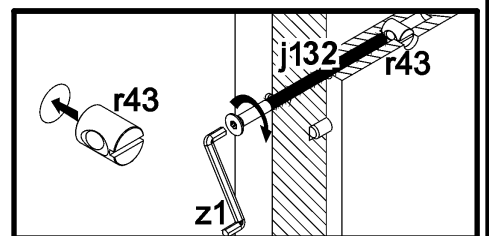
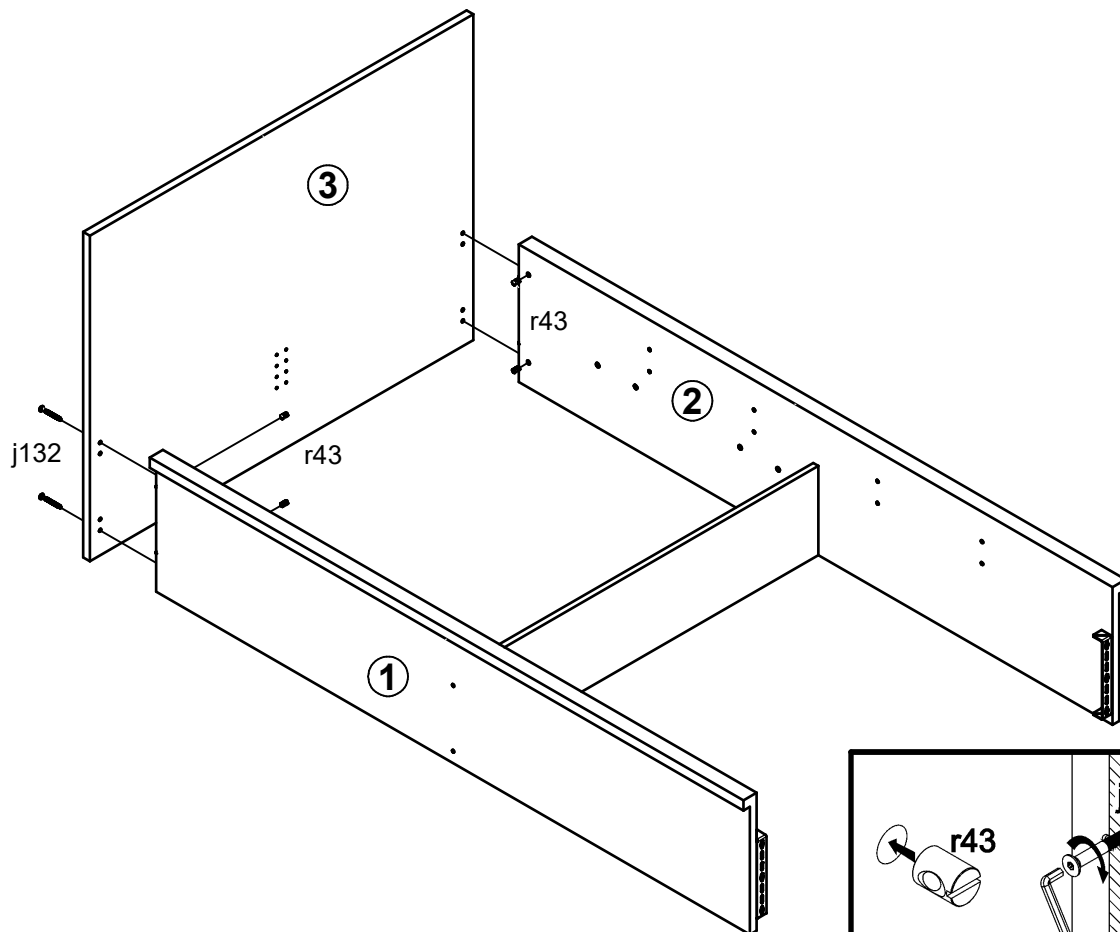
### 1 §2



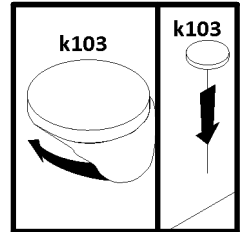
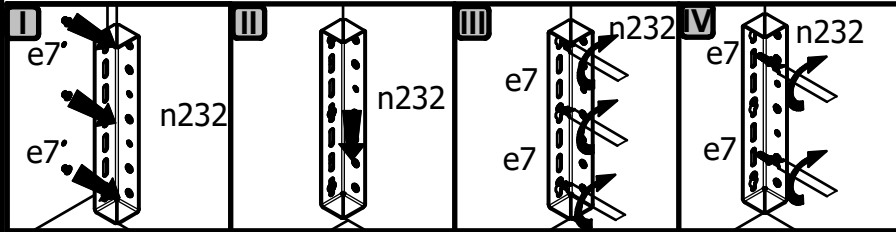
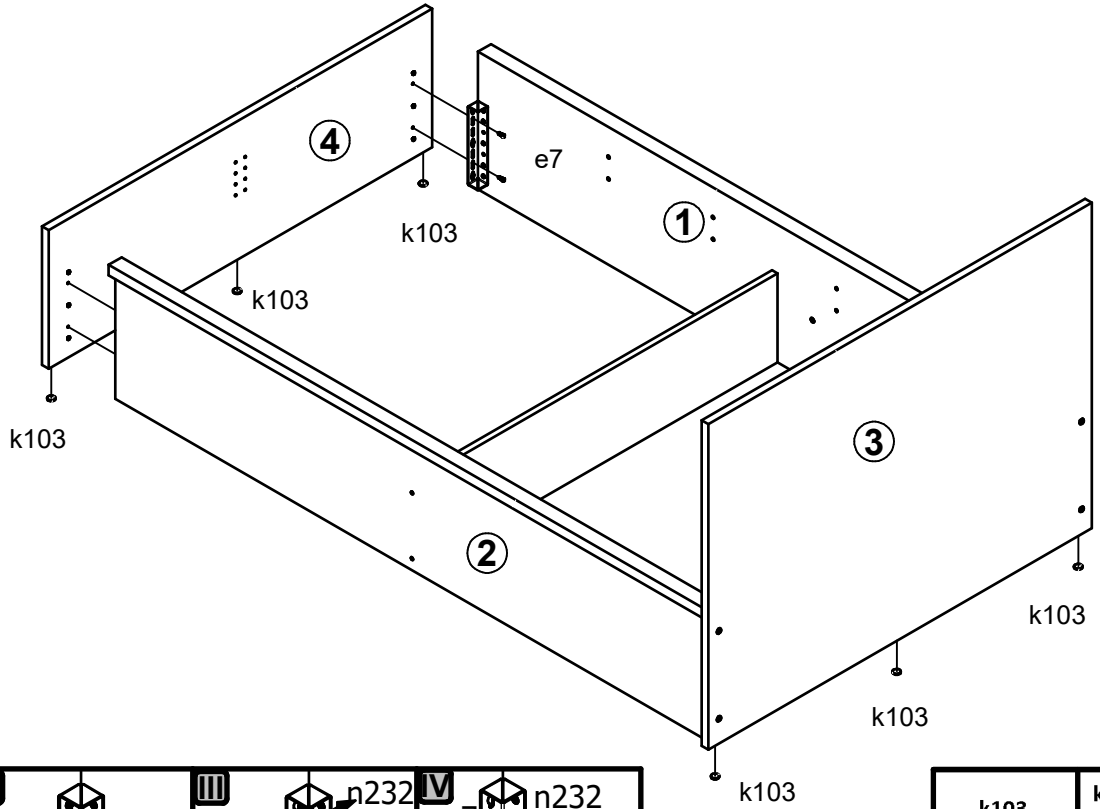
# 2



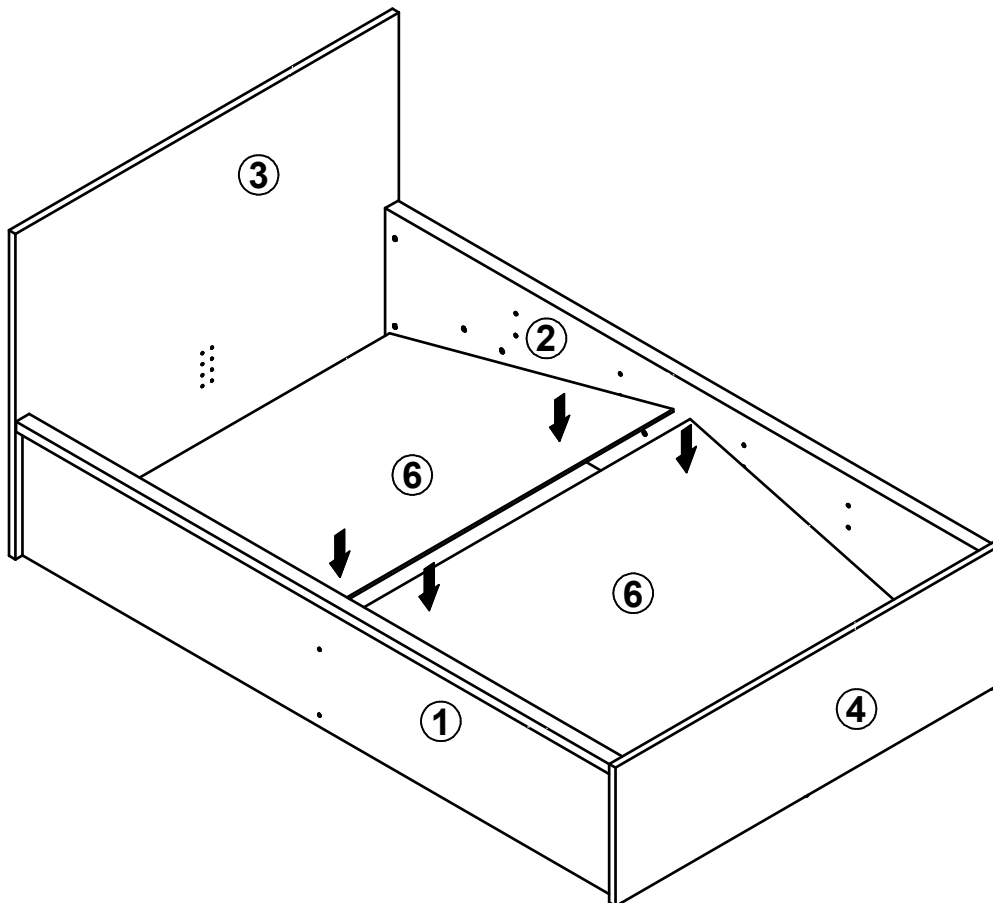
# 3



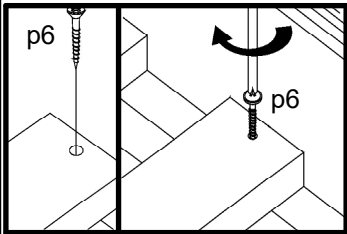
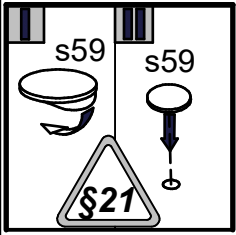
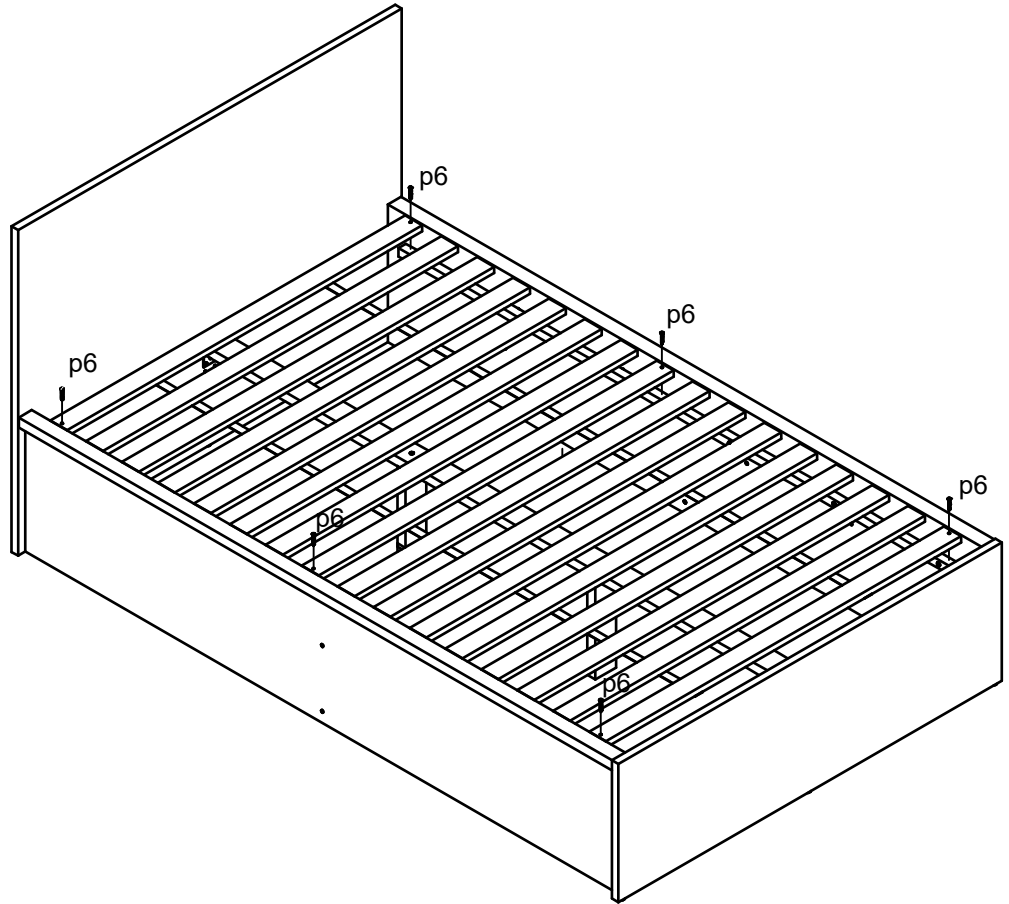
# 4



# 5



# 6 S442-LOZ/120/A



# 6 S442-LOZ/120/B

