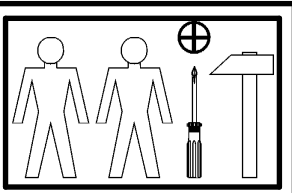
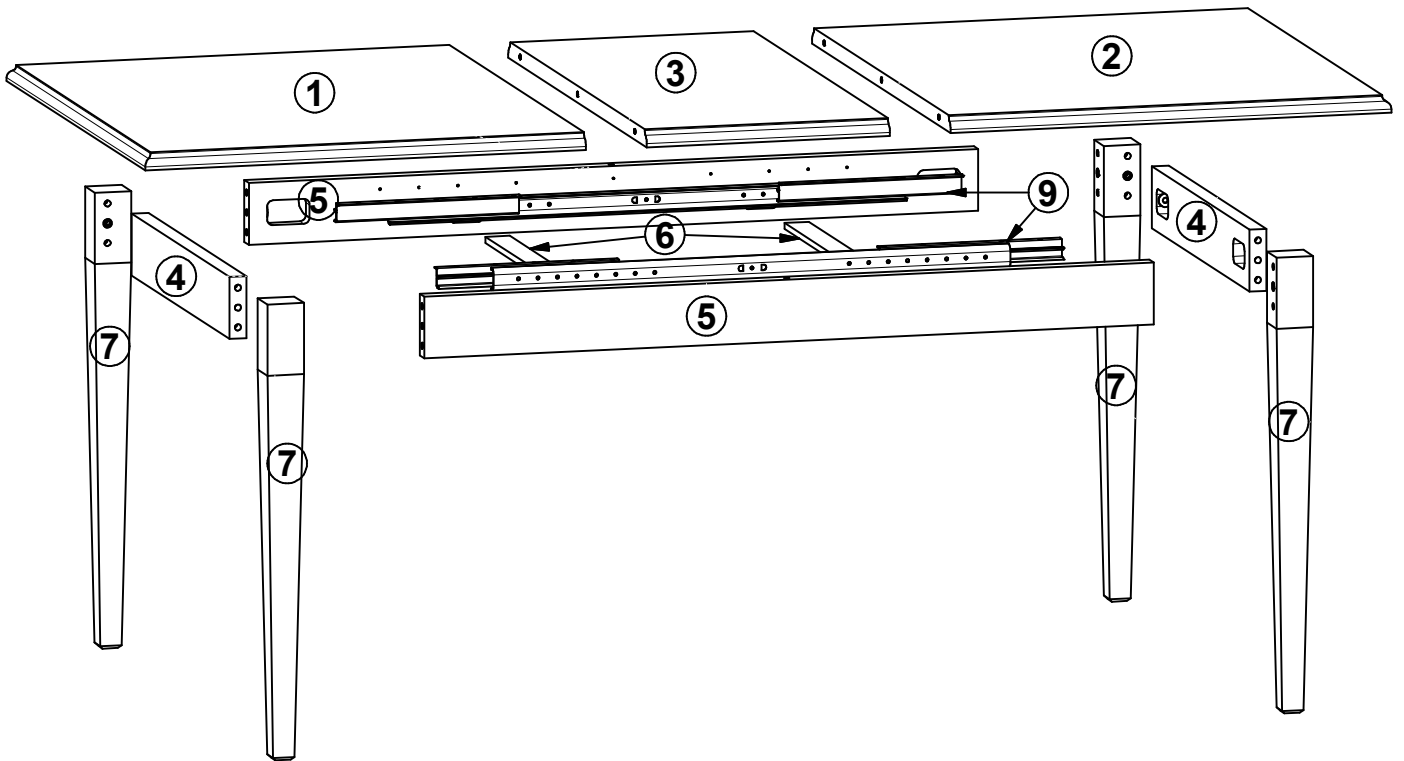
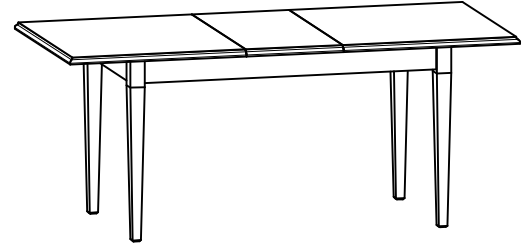


INDENTO

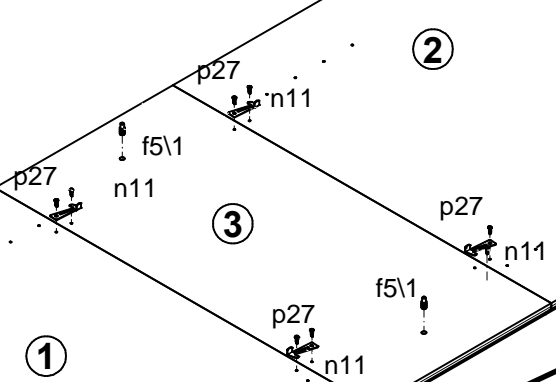
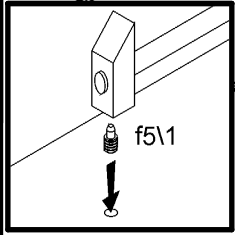
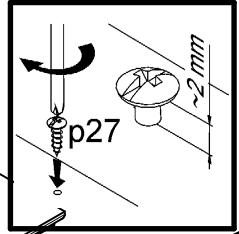
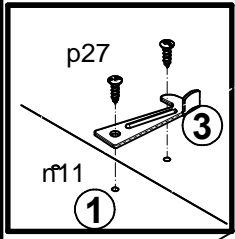
S320-STO/145

A	B	C	D	
1	S320-234	850	725	1/2
2	S320-235	850	725	1/2
3	S320-236	850	400	1/2
4	S320-414	600	100	2/2
5	S320-415	1200	100	2/2
6	S320-416	672	40	2/2
7	S320-542	740	60	2/2
9	w102	850		2/2

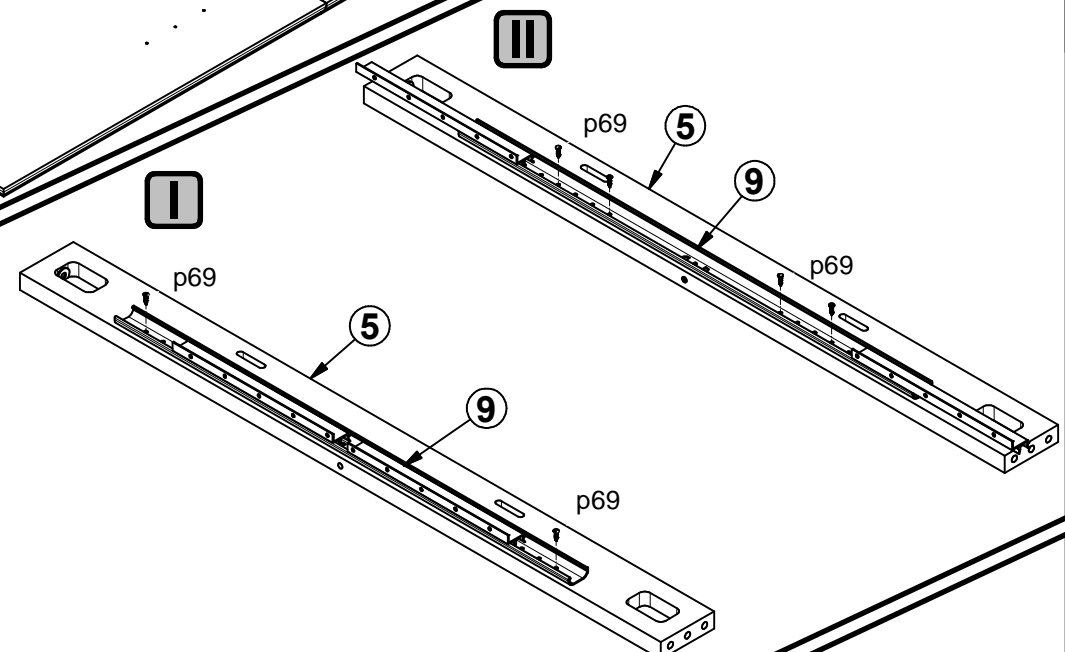
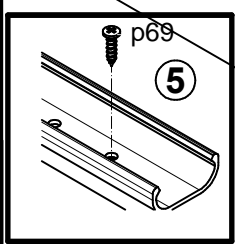


16x φ10x40 mm f27	2x metalowy f5\1	8x M8x45 mm j75	4x n11	8x φ8φ22\2mm o52	8x φ3,5x13 mm p27	28x φ4x16 mm p69	1x 6mm z16
-------------------------	------------------------	-----------------------	-----------	------------------------	-------------------------	------------------------	------------------

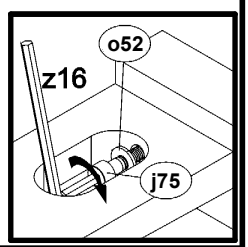
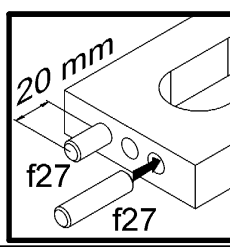
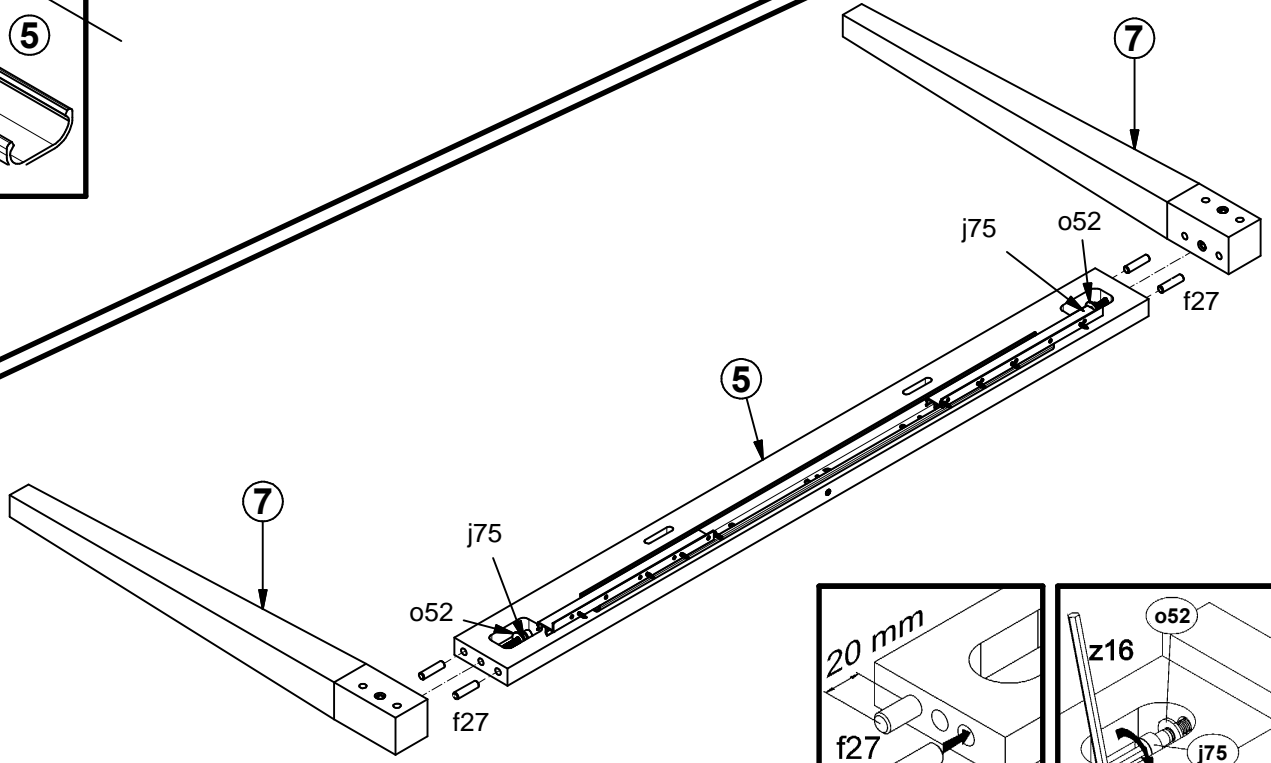
1



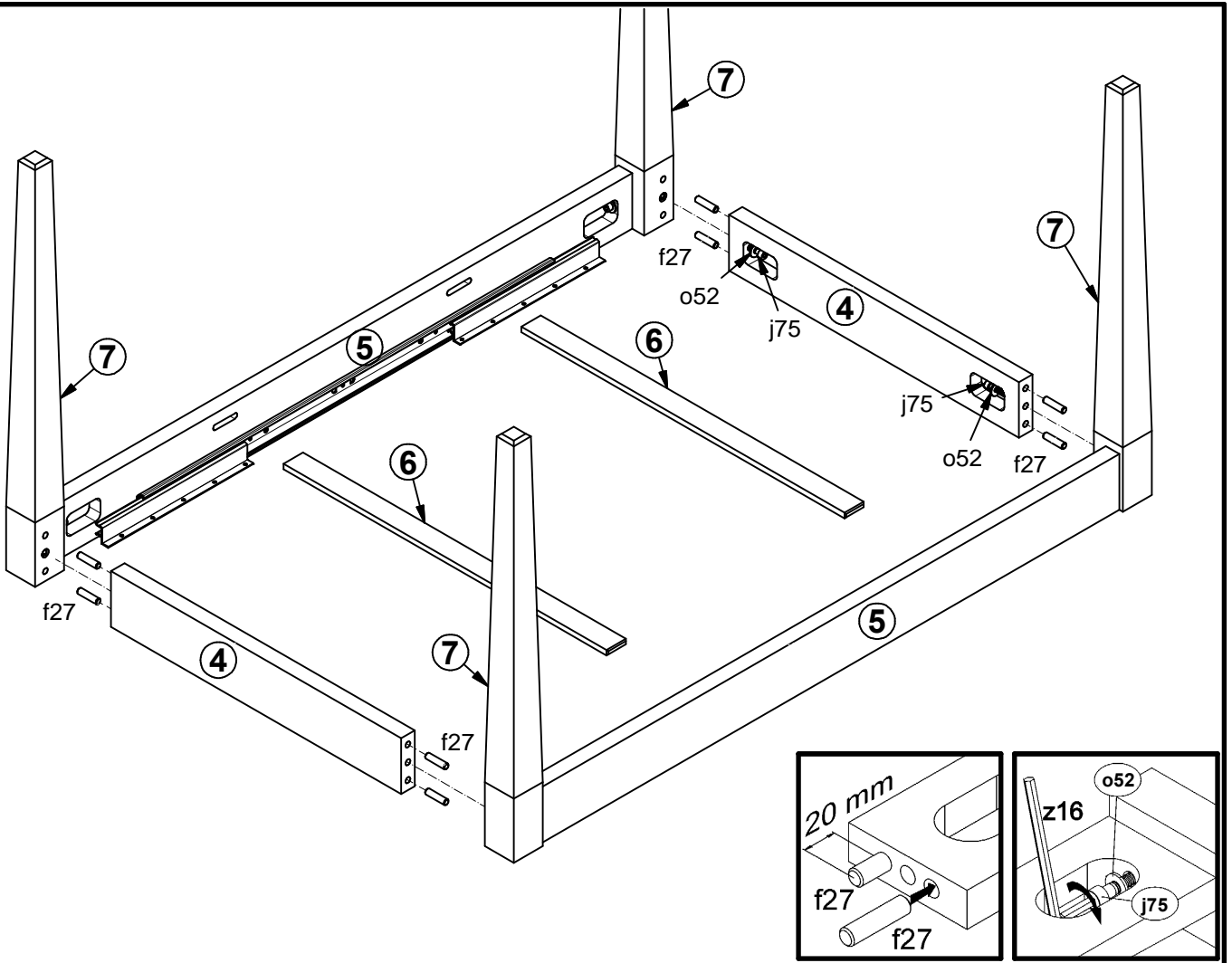
2



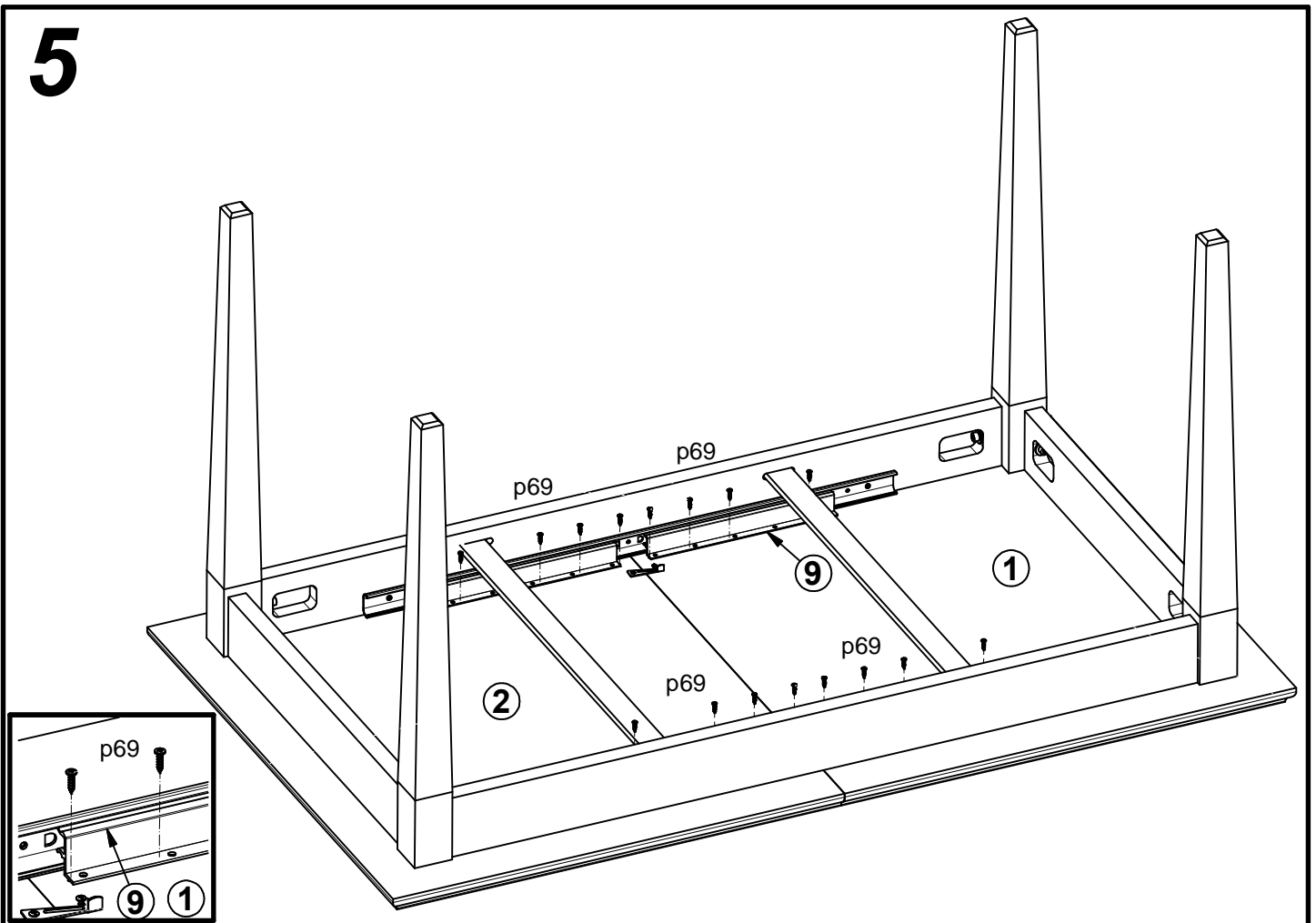
3



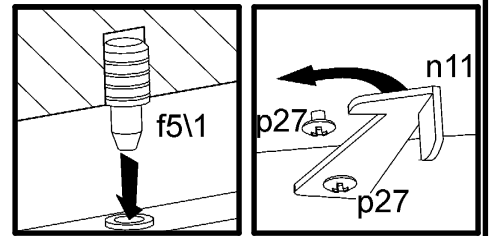
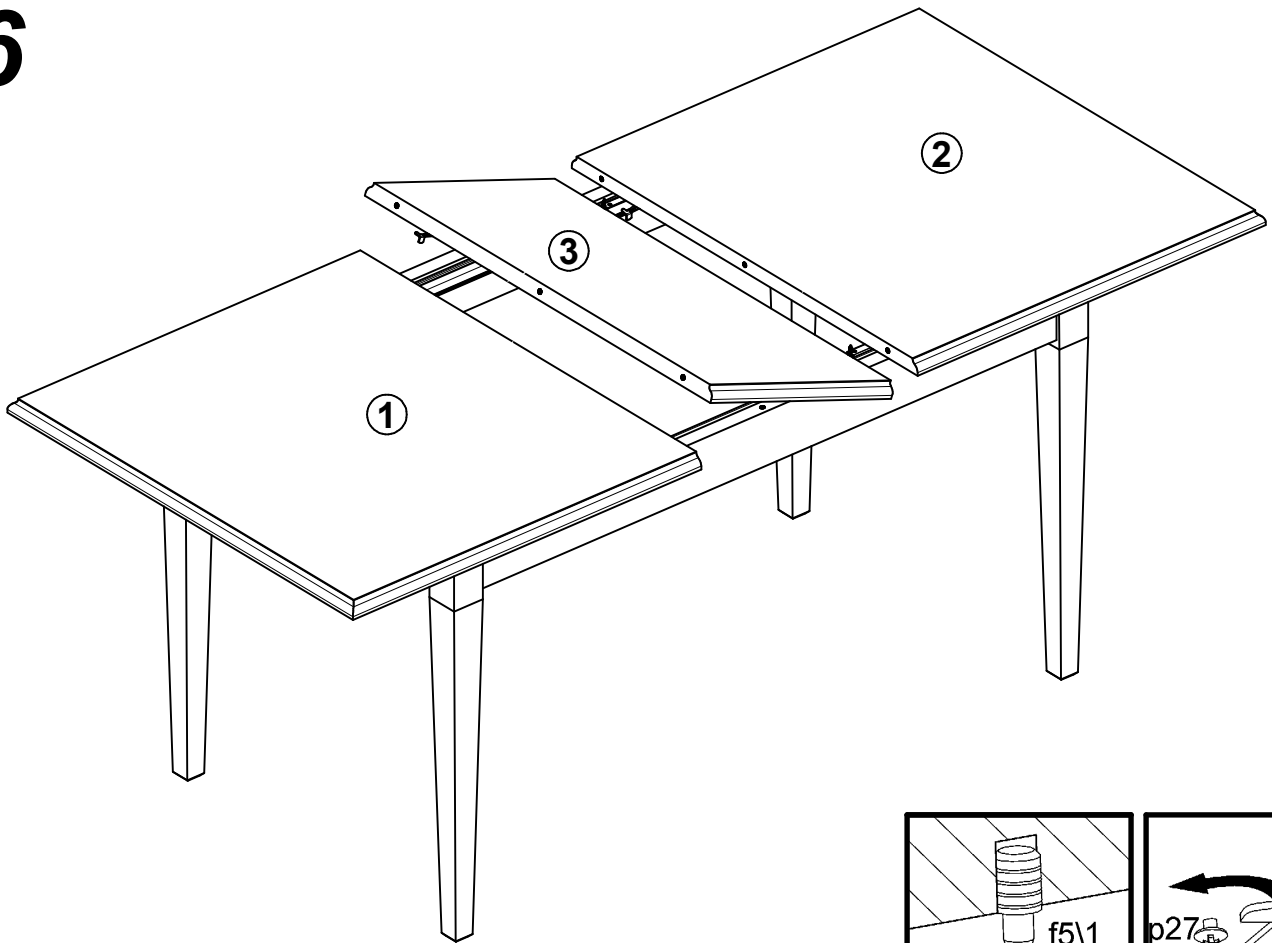
4



5



6



7

