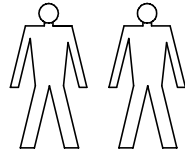
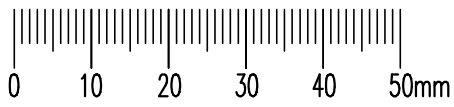
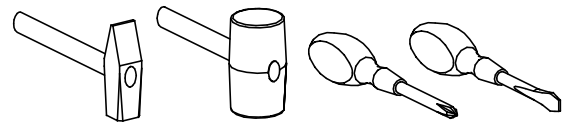


Please read the instruction before assembly

Tools needed for assembly



20 min

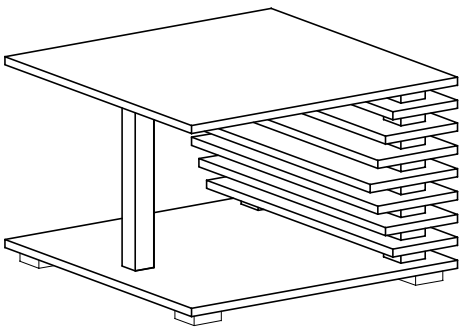


TOKYO

Important information:

- 1) remove the protective foil if the table is in high gloss

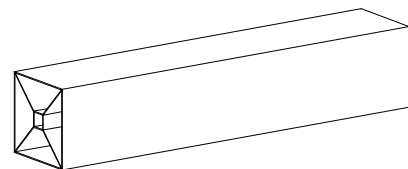
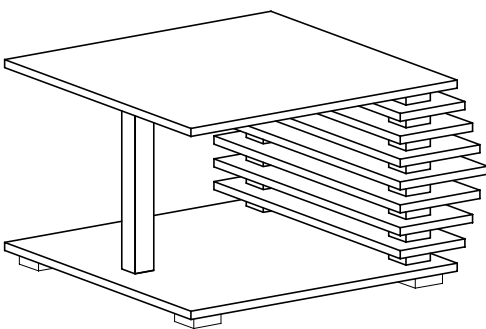
I



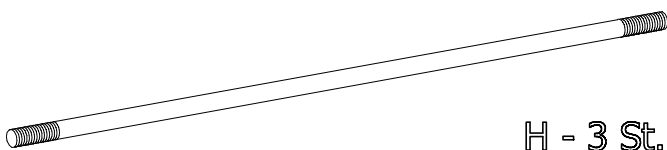
Dimensions of elements

| No | Width (mm) | Depth (mm) | Height (mm) |
|-----|------------|------------|-------------|
| 1,2 | 600 | 600 | 17 |
| 3 | 600 | 170 | 17 |
| 4 | 600 | 190 | 17 |
| 5 | 600 | 210 | 17 |
| 6 | 600 | 230 | 17 |

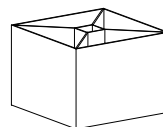
II



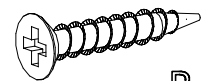
S - 1 St.



H - 3 St.

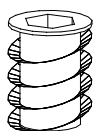


G - 16 St.

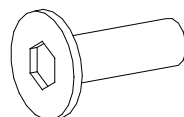


R - 16 St.
4 x 30 mm

B - 3 St.



F - 3 St.



P - 4 St.

