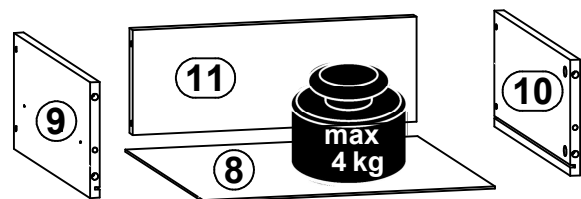
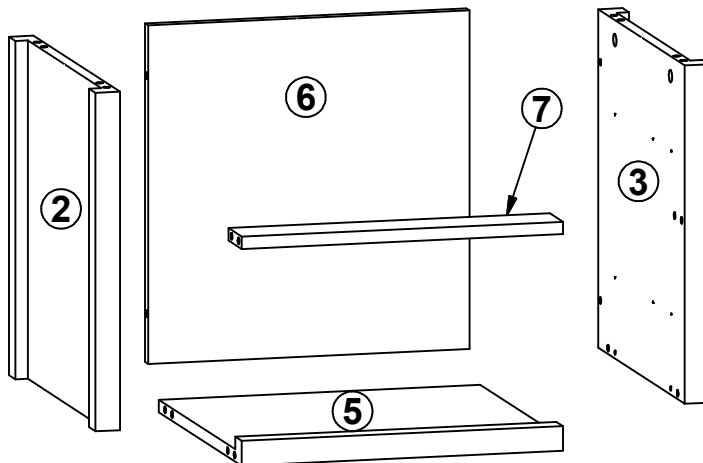
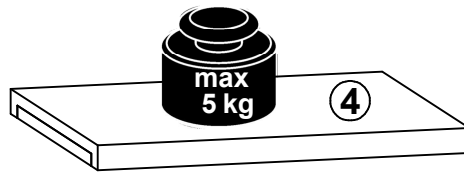
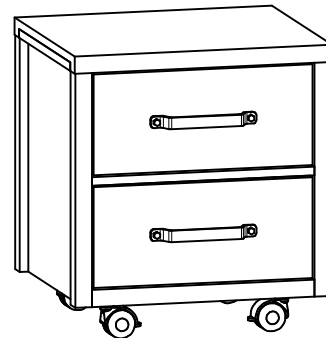
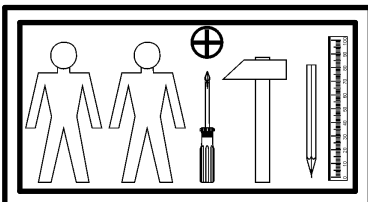
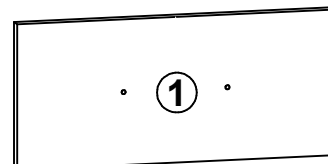


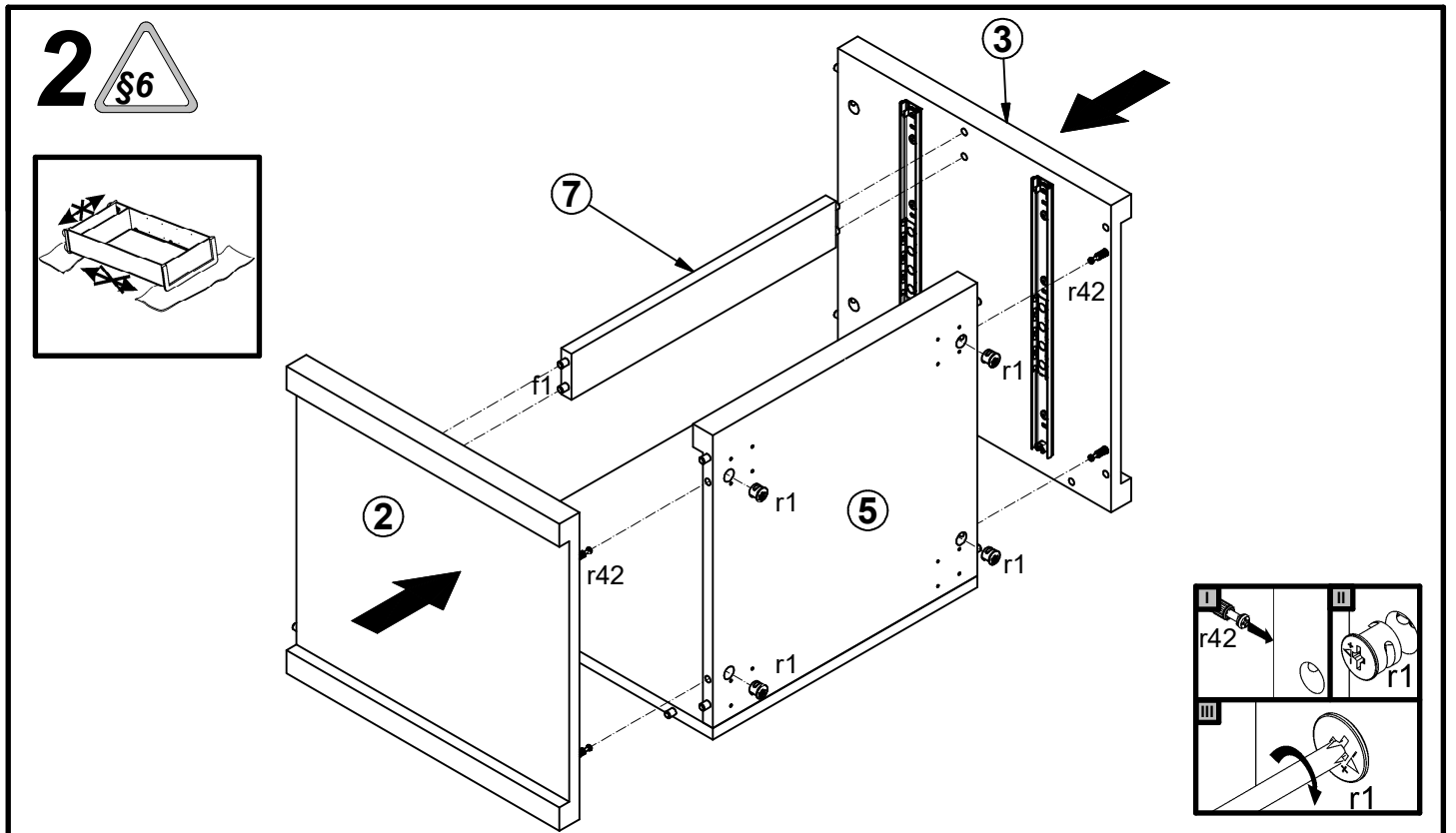
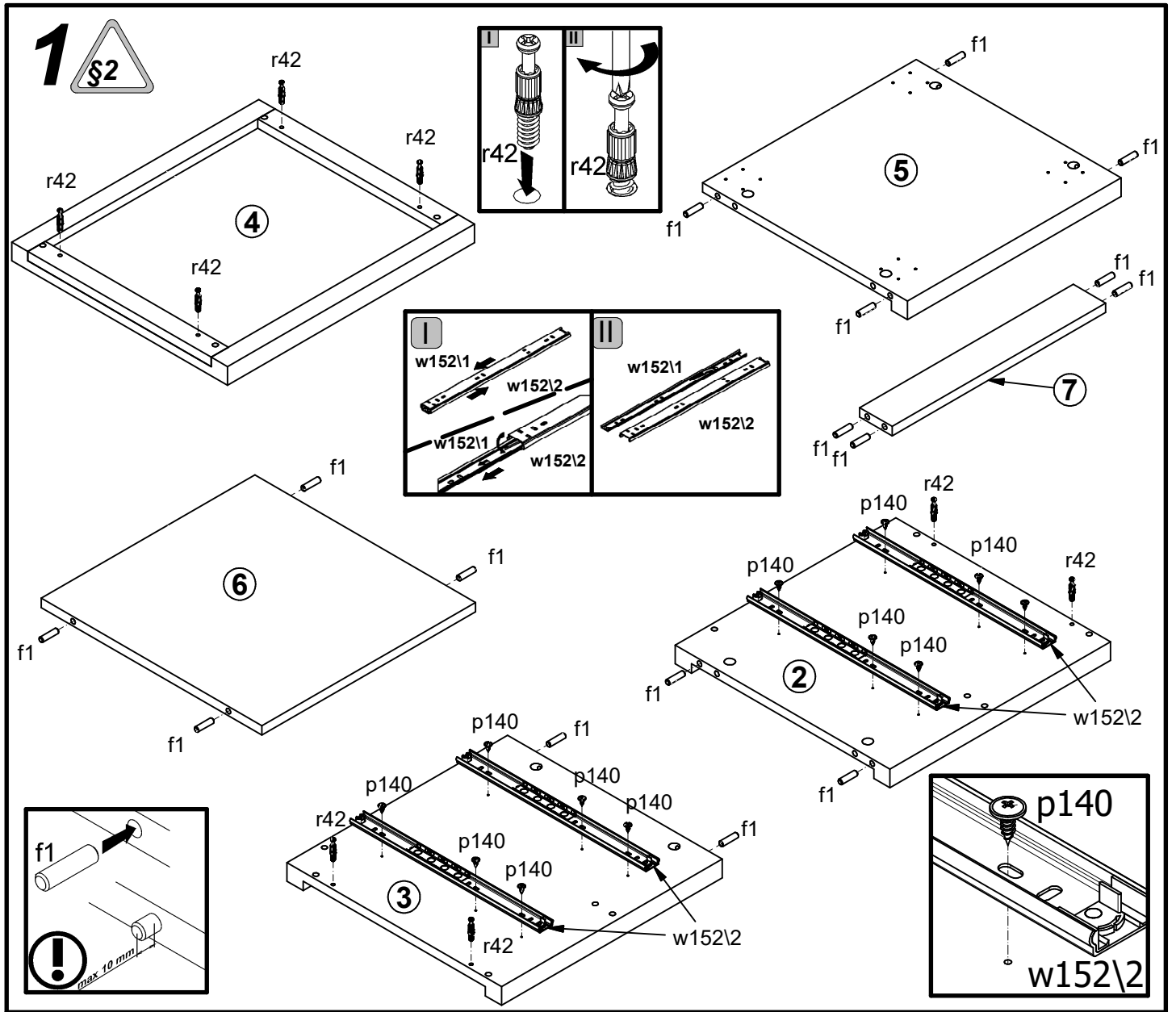
A	B	C	D	
1	S483-0002	390	176	1/1
2	S483-1004	409	398	1/1
3	S483-1005	409	398	1/1
4	S483-2002	458	400	1/1
5	S483-3002	396	380	1/1
6	S483-4002	409	396	1/1
7	S483-4003	396	60	1/1
8	S483-9002	360	357	1/1
9	ZK3-511	350	140	1/1
10	ZK3-512	350	140	1/1
11	ZK3-5149	350	127	1/1



2x

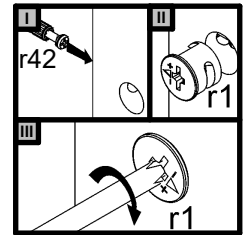
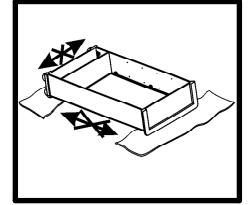
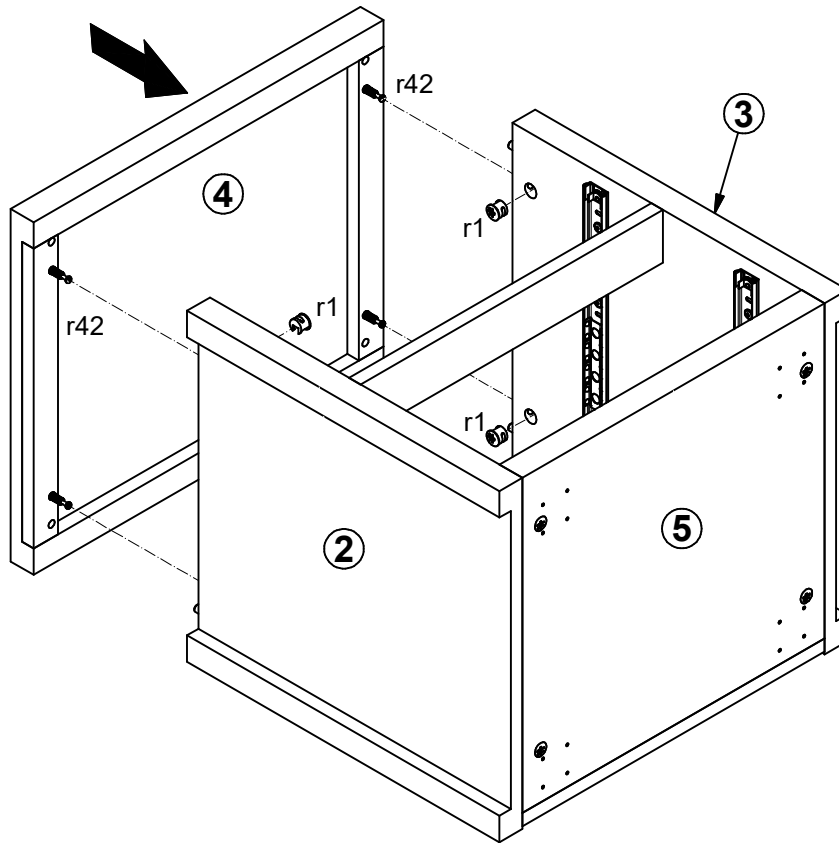


2x 128 mm c51111	16x Ø8x30 mm f1	4x Ø6x30 mm f9	8x Ø6,5x40 mm f25	4x Ø50 mm k13	16x Ø3,5x13 mm p27	6x Ø3,5x16 mm p38	4x Ø4x22 mm p60	24x Ø3,5x12 mm p140
8x Ø15x12 mm #16 r1	8x Ø12x10,5 mm #12 r15	16x 20/11 r42	4x 350/580 mm w15211	4x 350/580 mm w15212				



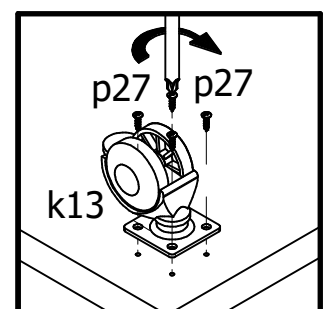
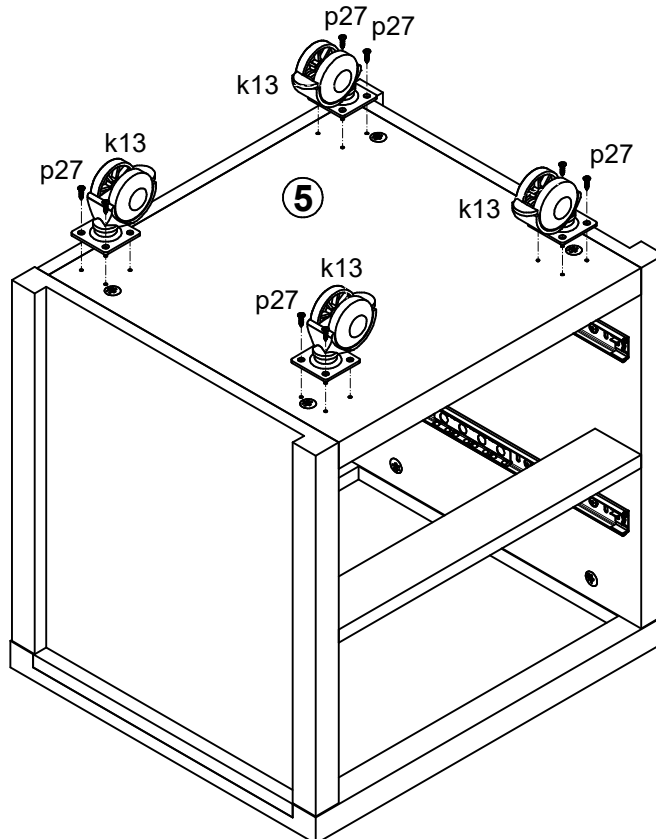
3

§6

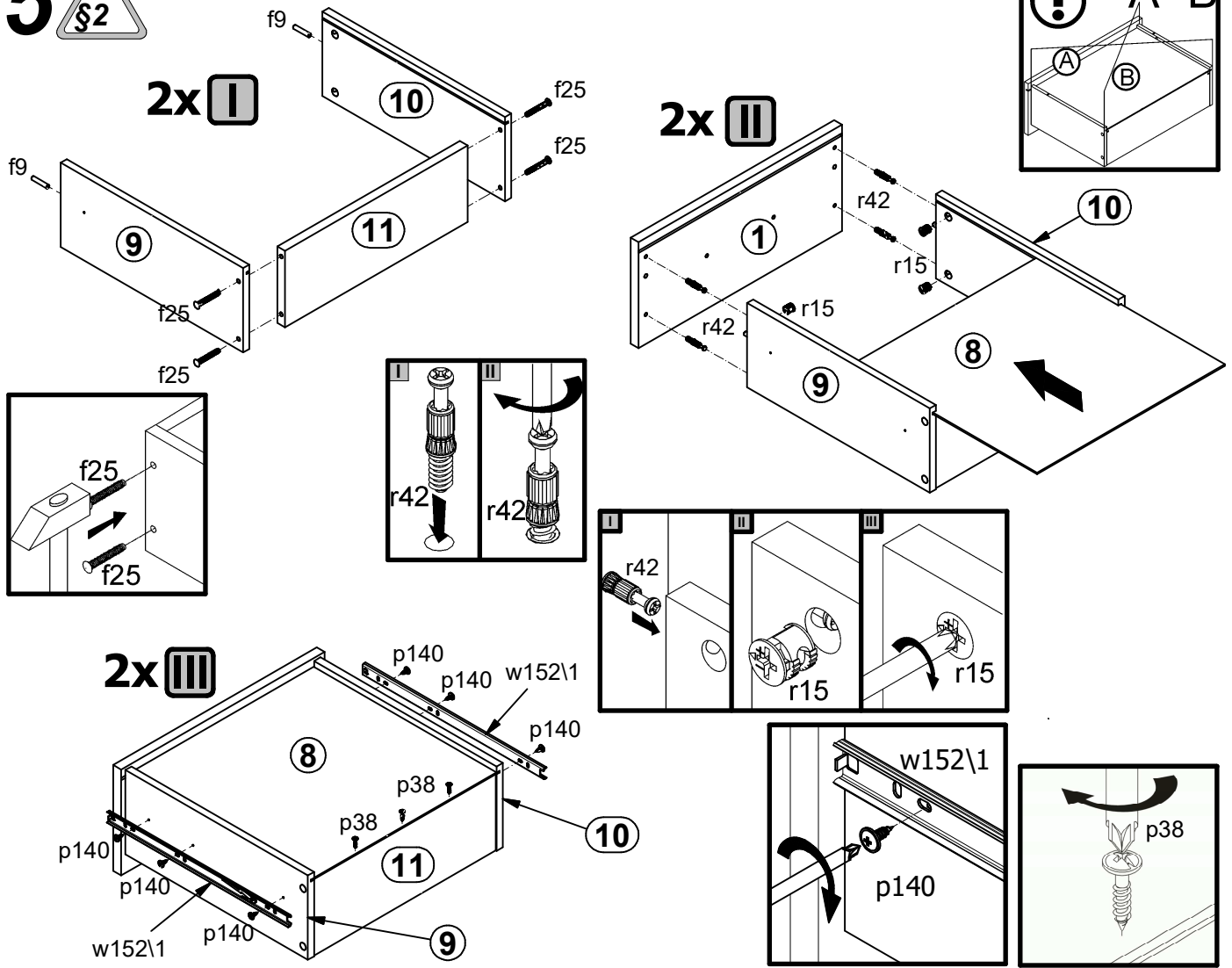


4

§6



5



6

