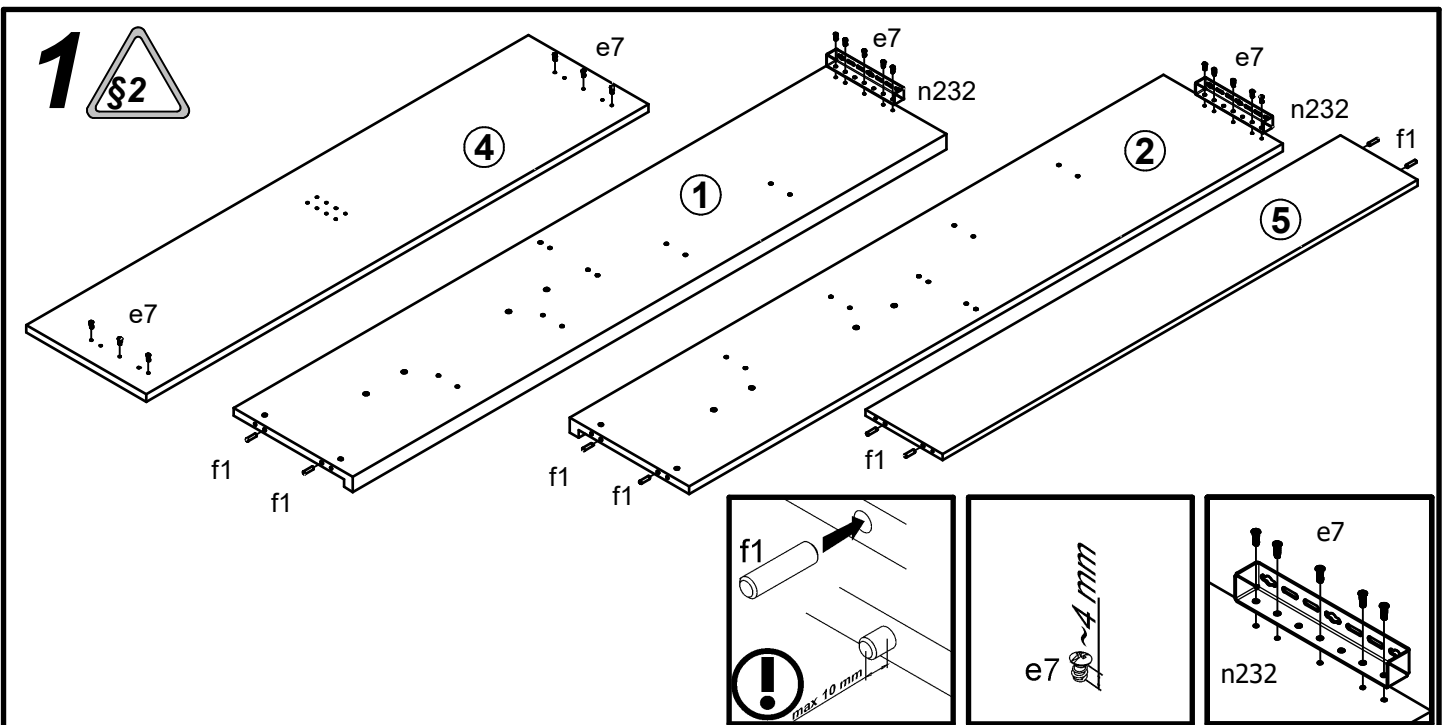
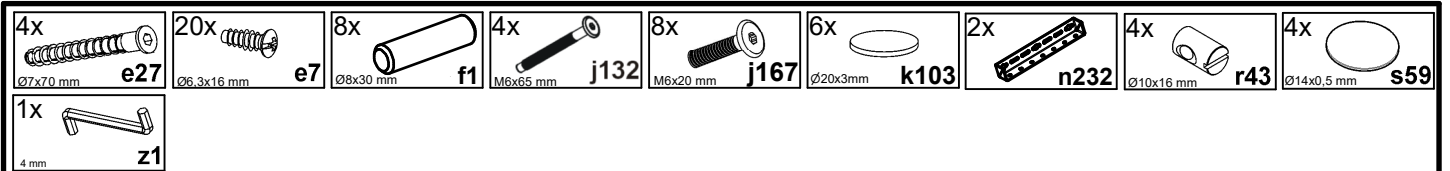
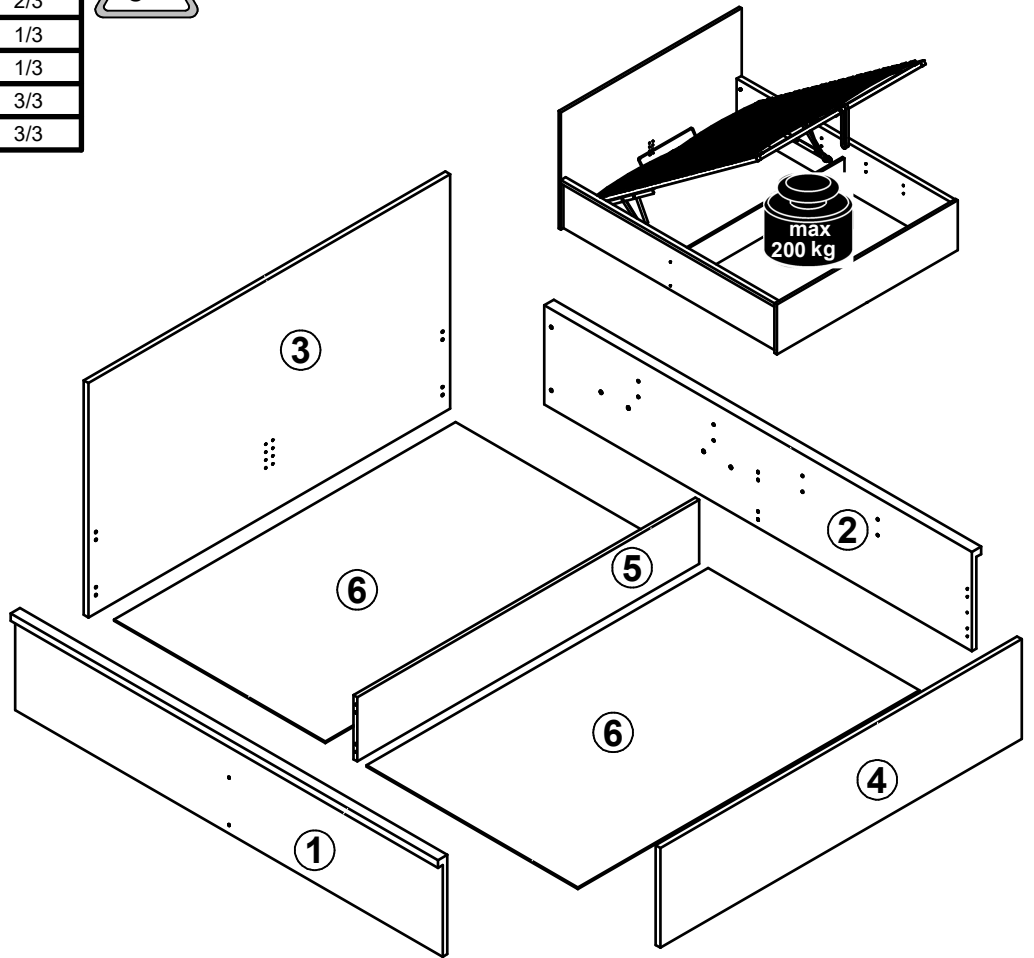
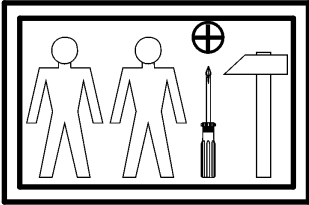


A TETRIX

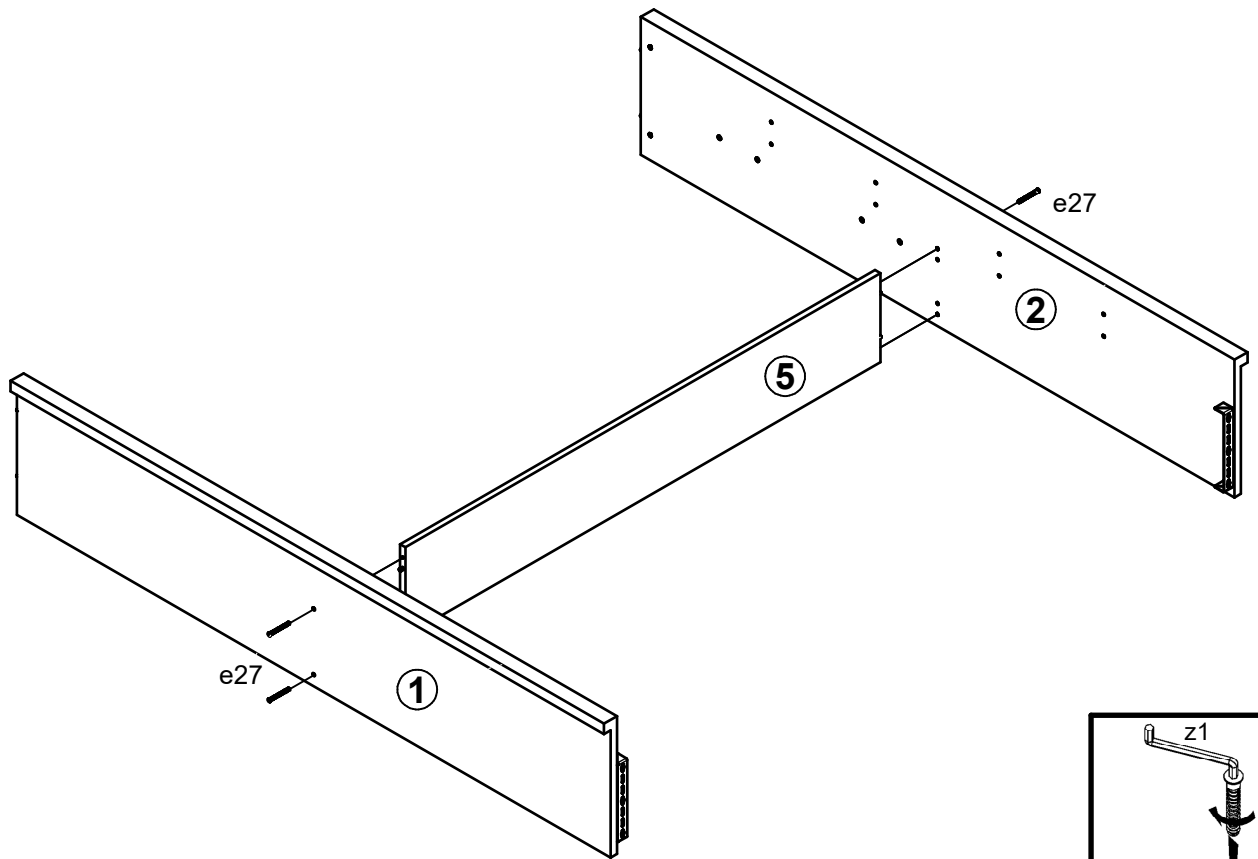
A	B	C	D	
1	S442-1001	2000	402	2/3
2	S442-1002	2000	402	2/3
3	S442-4001	1692	950	1/3
4	S442-4002	1692	404	1/3
5	S442-4004	1600	260	3/3
6	S442-9001	1598	989	3/3



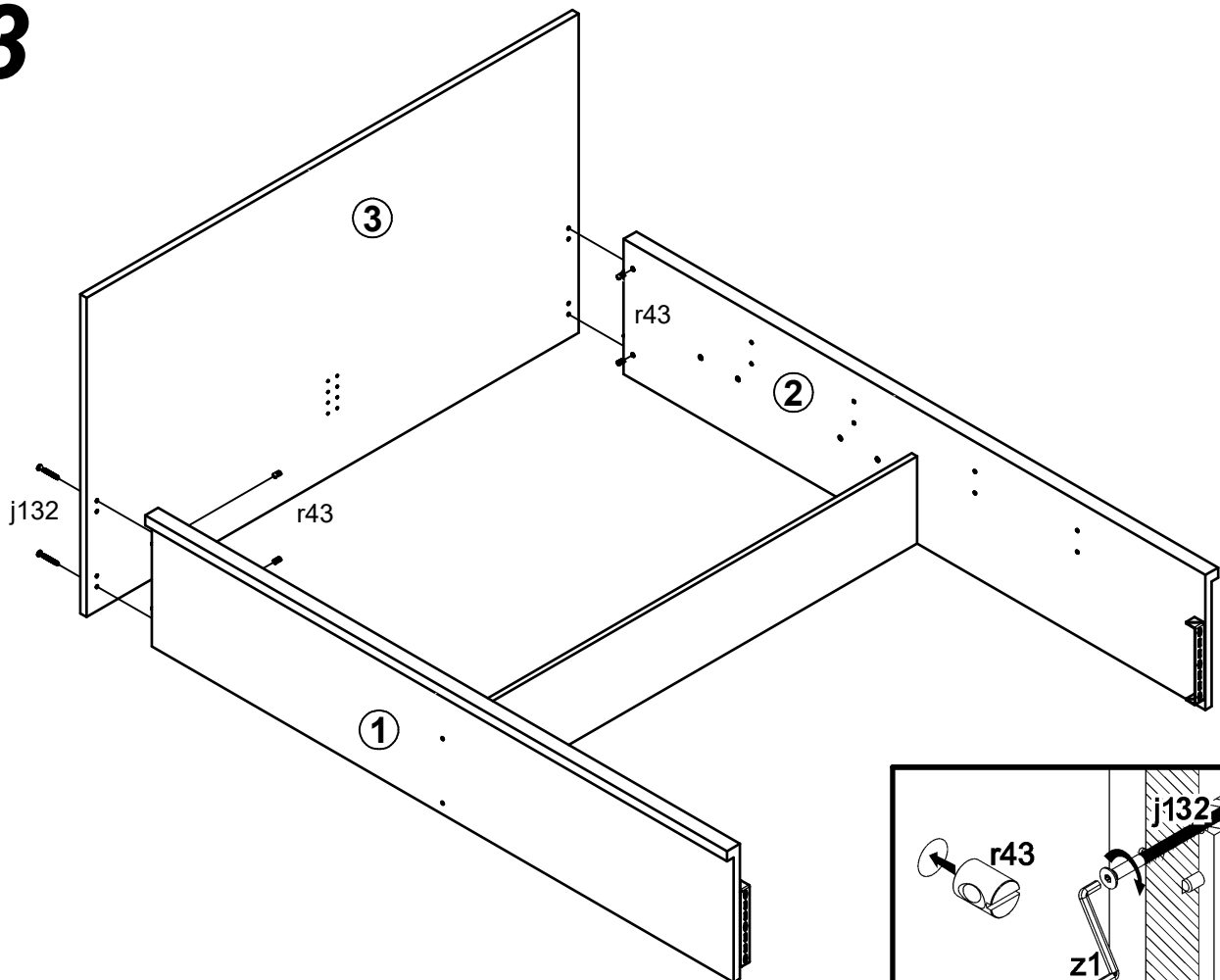
S442-LOZ/160/B



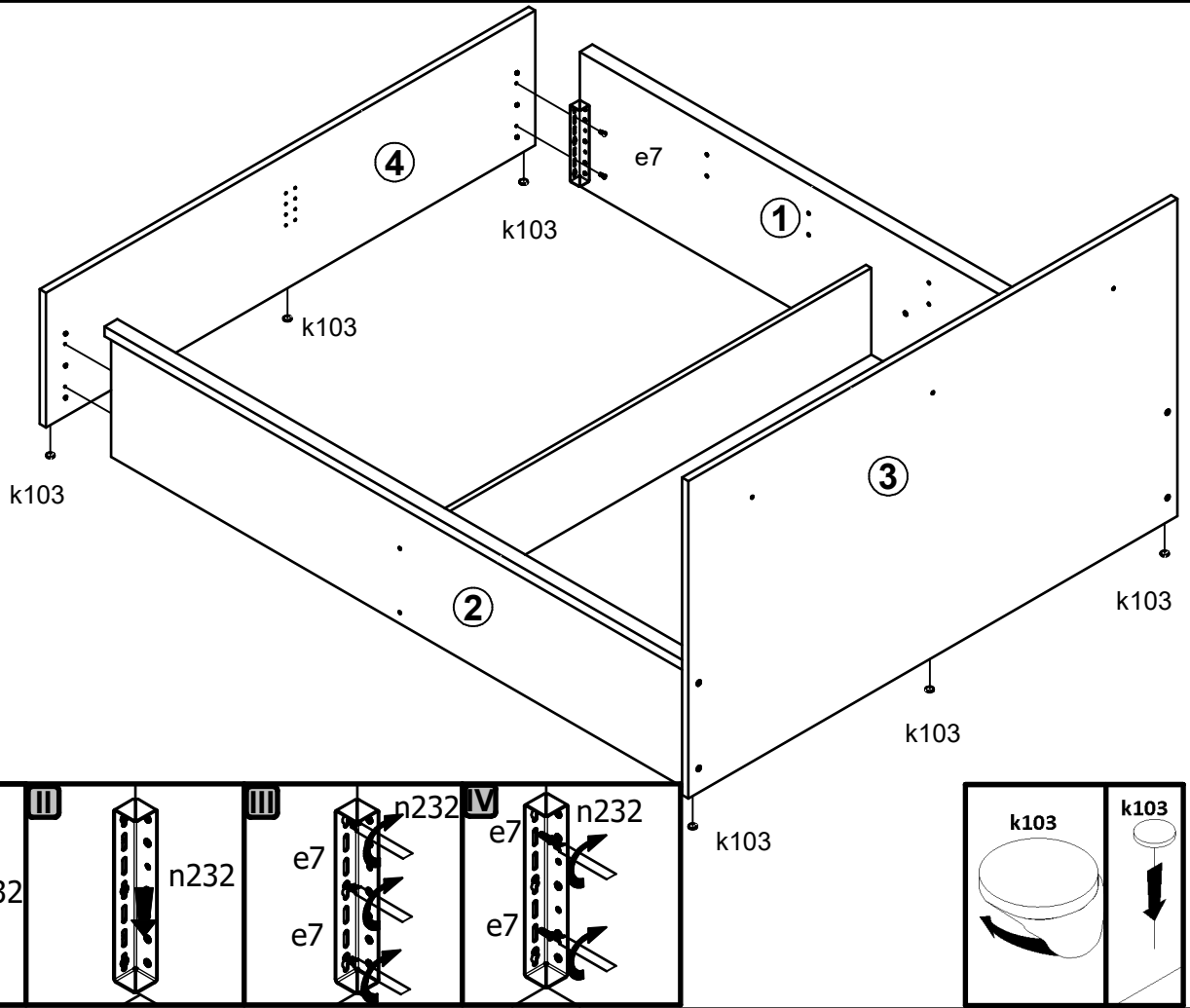
2



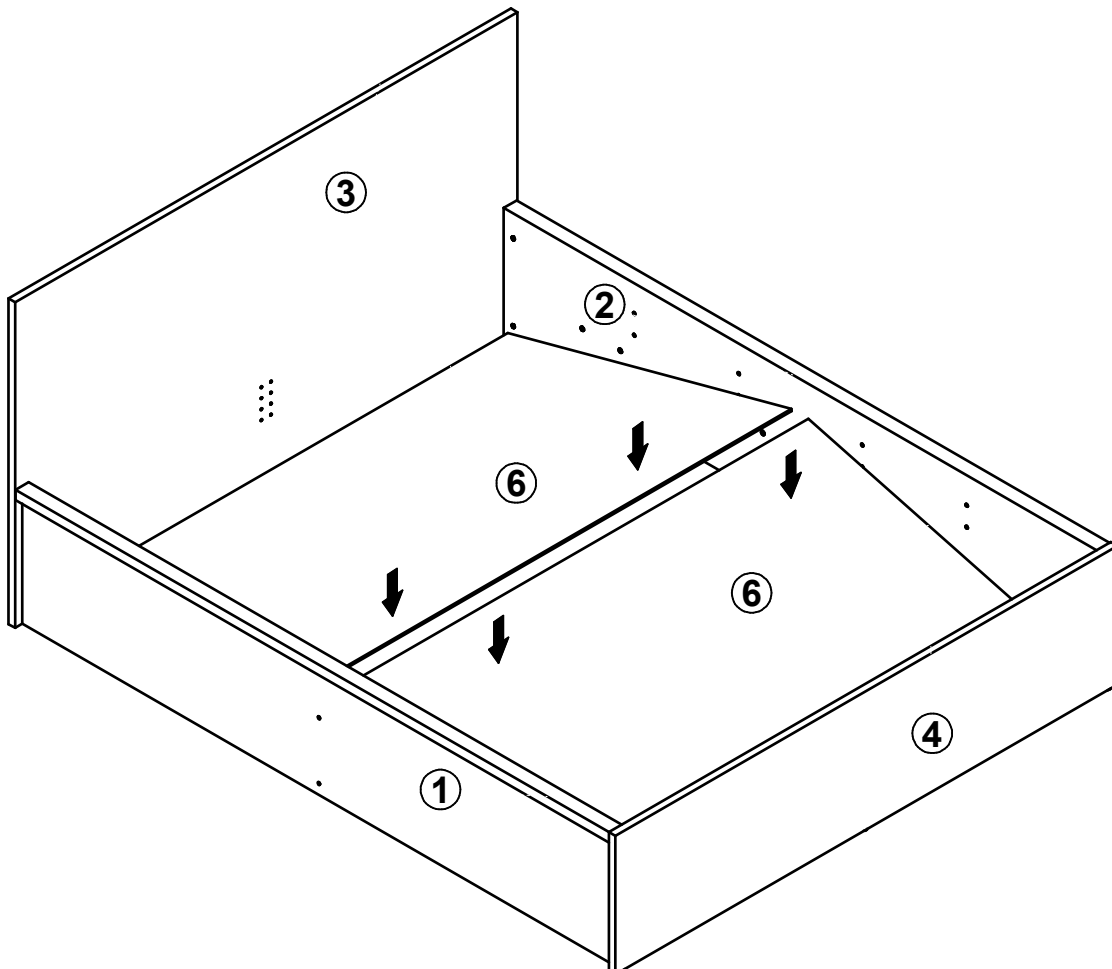
3



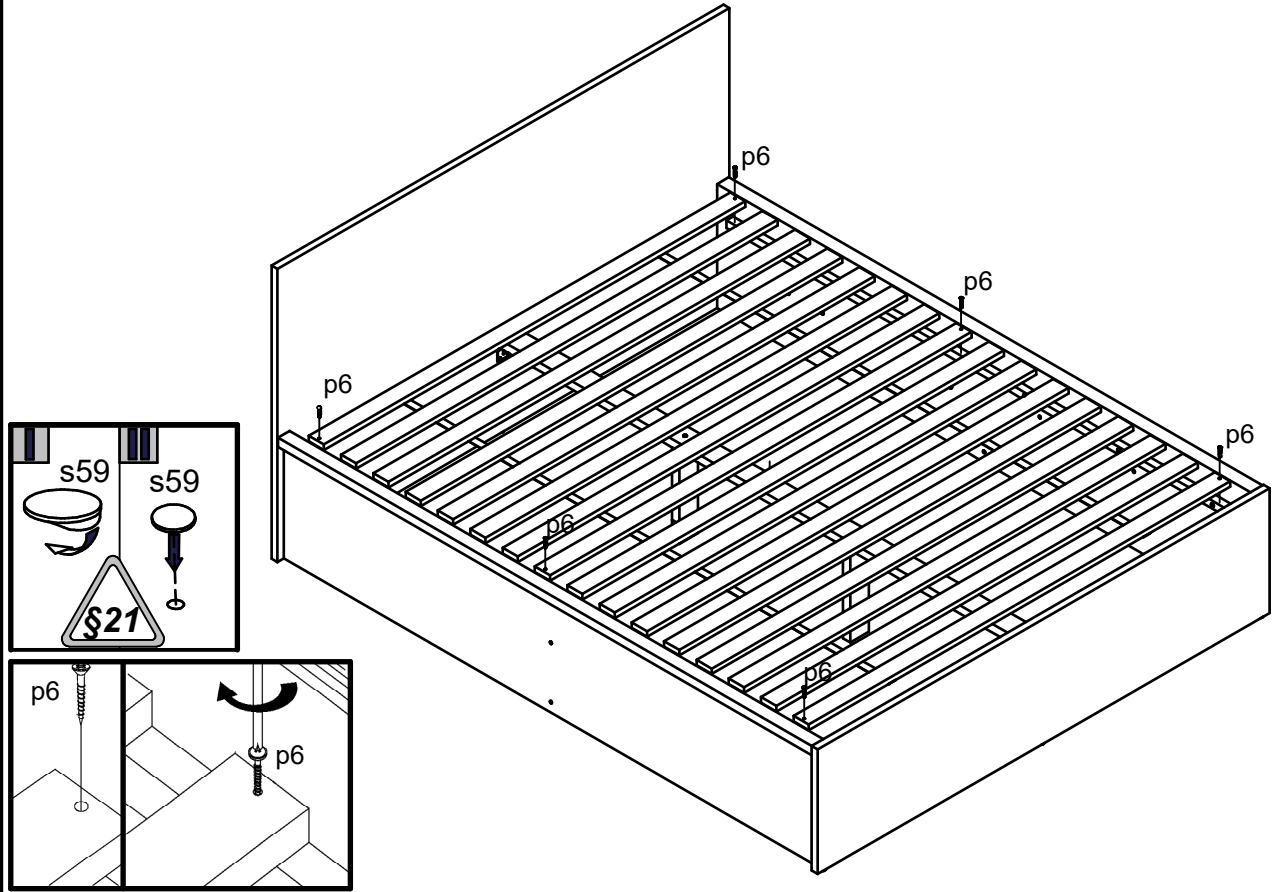
4



5



6 S442-LOZ/160/A



6 S442-LOZ/160/B

