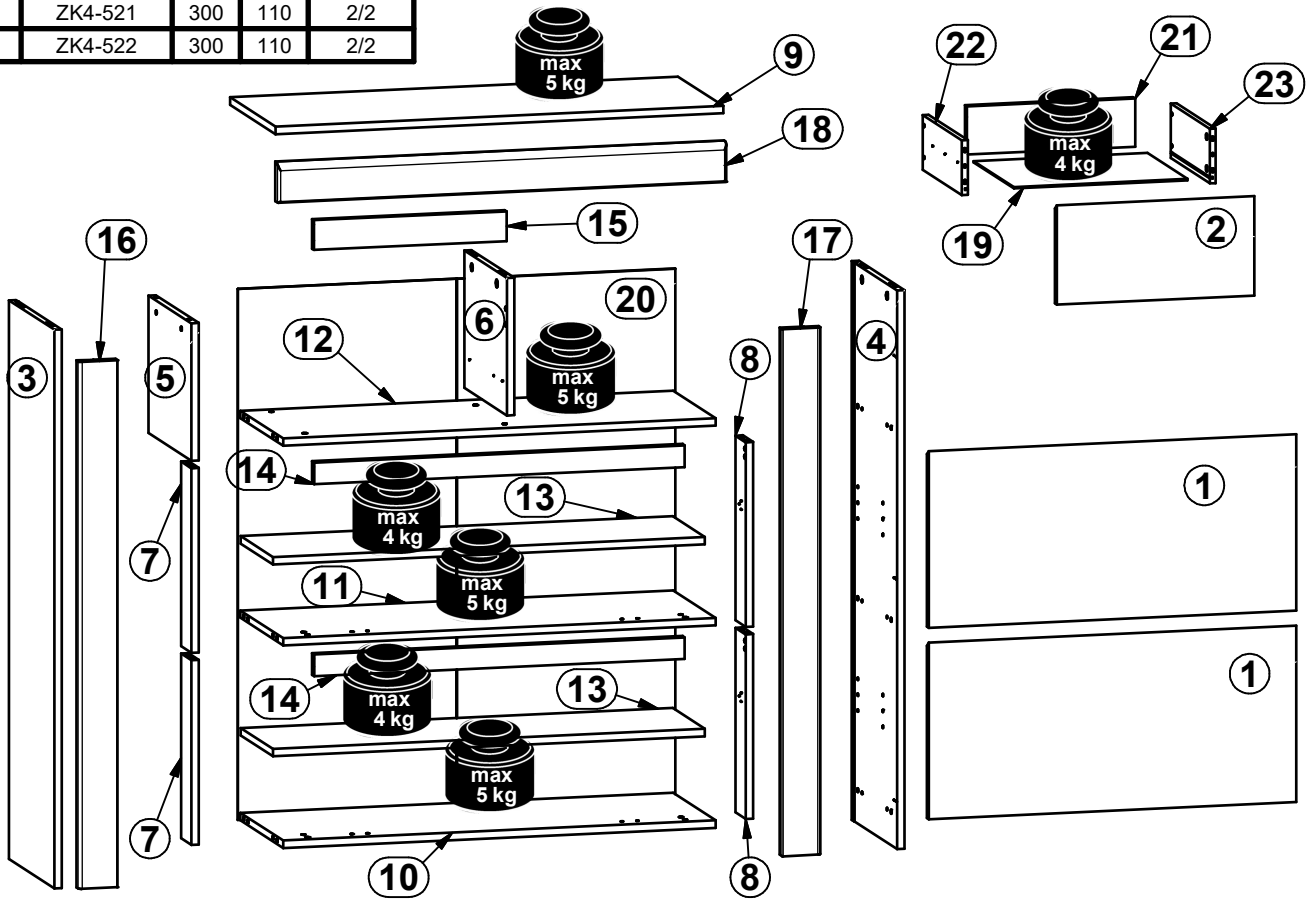
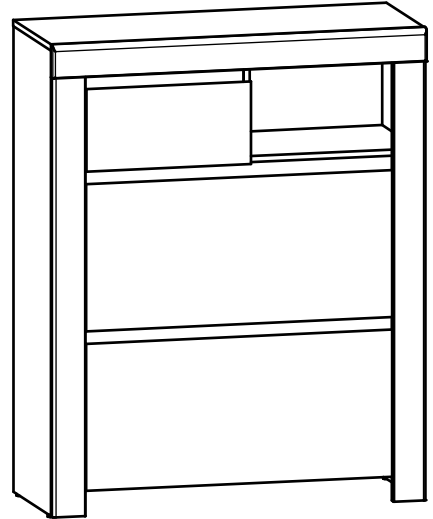
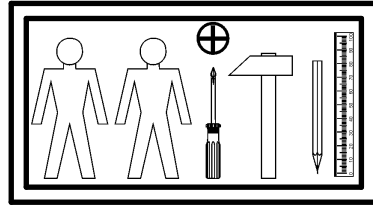
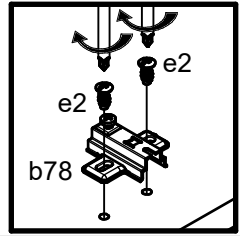
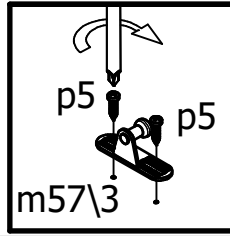
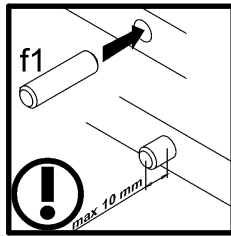
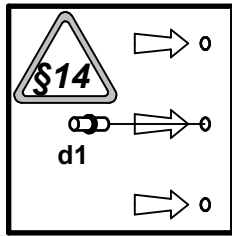
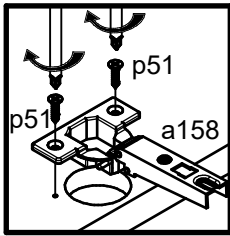
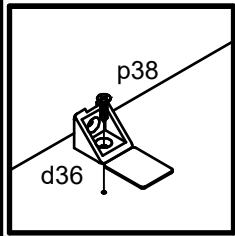
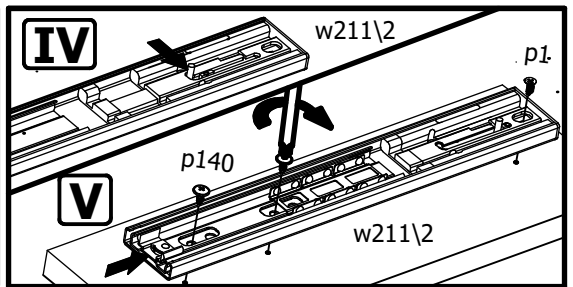
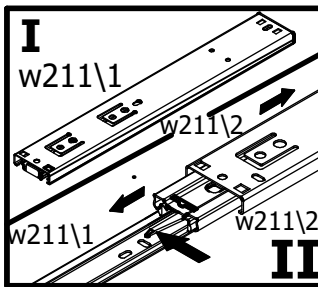
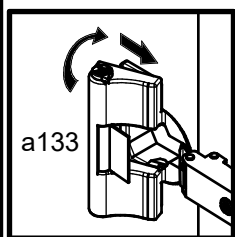
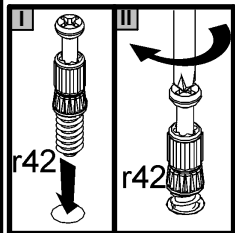
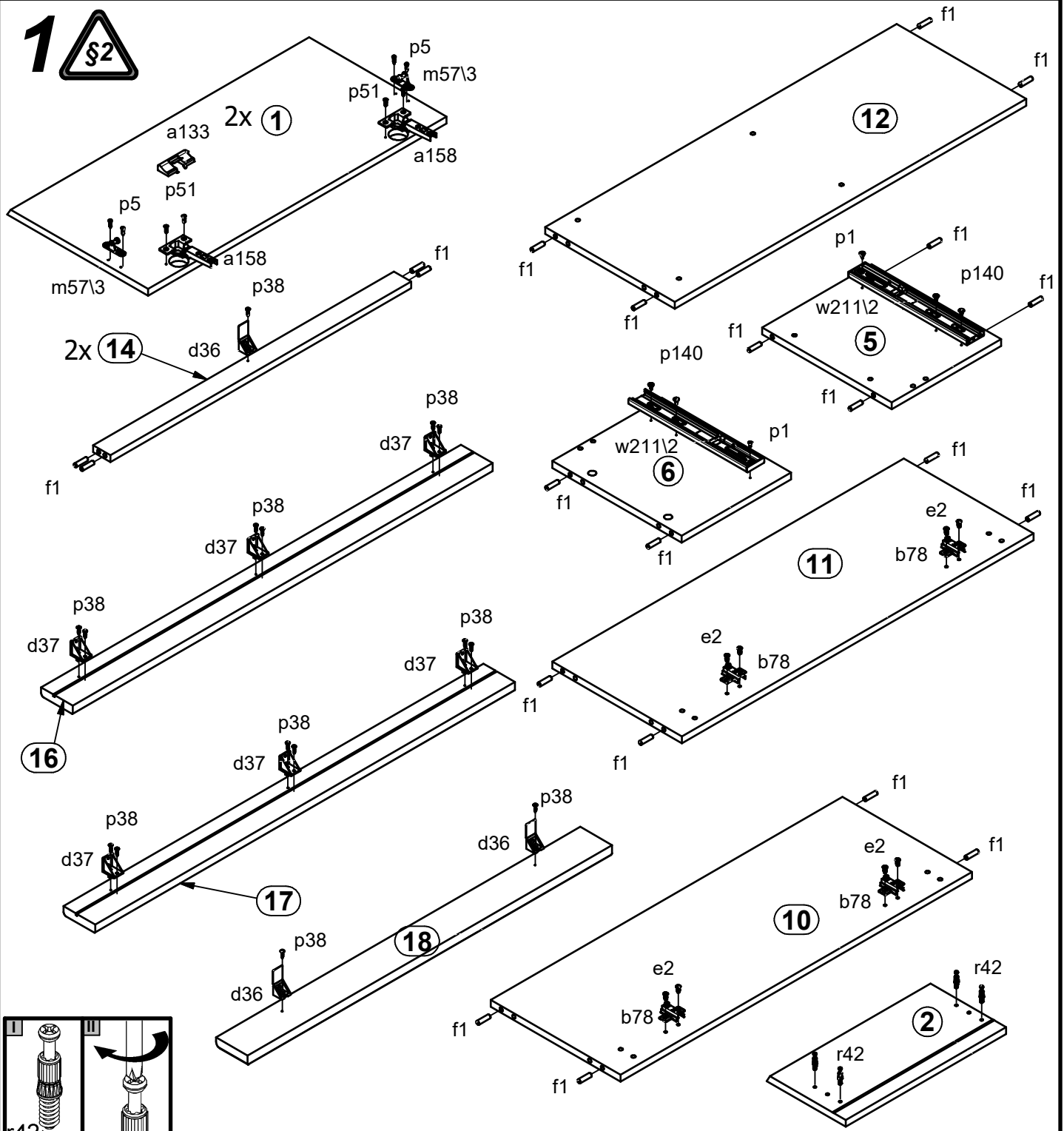


A	B	C		D
1	S440-0011	755	356	1/2
2	S440-0012/A	406	200	2/2
3	S440-1019	1126	348	1/2
4	S440-1020	1126	348	1/2
5	S440-1021/A	277	328	1/2
6	S440-1022/A	277	327	1/2
7	S440-1023	372	80	2/2
8	S440-1024	372	80	2/2
9	S440-2005	920	348	2/2
10	S440-3010	889	328	2/2
11	S440-3011	889	328	2/2
12	S440-3012	889	328	2/2
13	S440-3013	888	247	2/2
14	S440-4018	761	44	1/2
15	S440-4019	396	60	2/2
16	S440-5021	1062	80	1/2
17	S440-5022	1062	80	1/2
18	S440-5026	922	80	2/2
19	S440-9009/A	357	307	2/2
20	S440-9303	1070	899	1/2
21	ZK3-5070	346	97	2/2
22	ZK4-521	300	110	2/2
23	ZK4-522	300	110	2/2

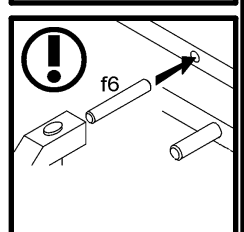
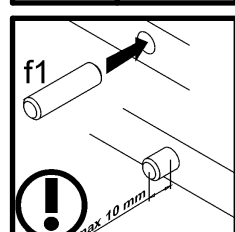
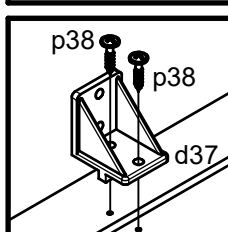
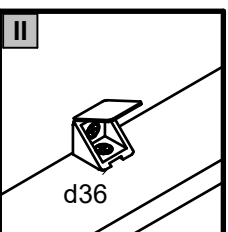
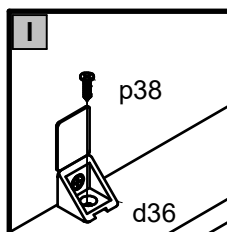
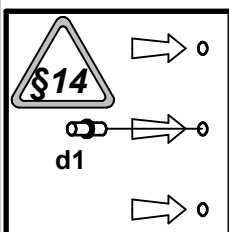
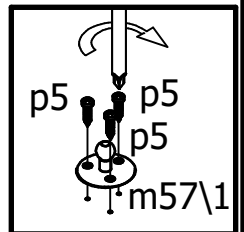
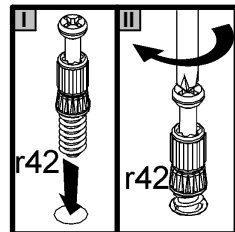
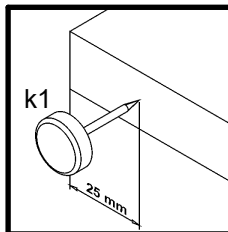
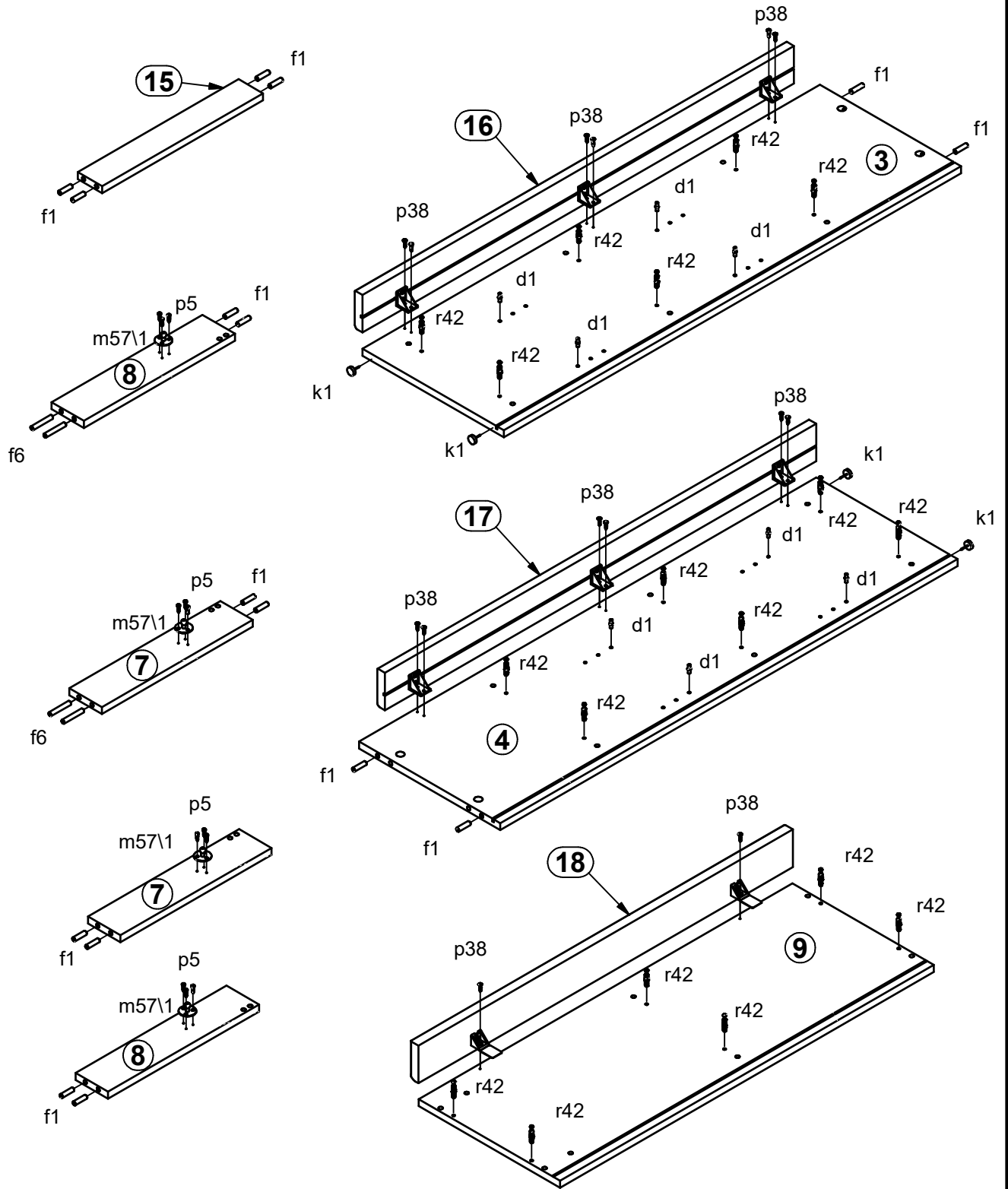


2x  a133	4x  a158	4x  b78	8x  Ø5x17 mm d1	4x  d36	6x  d37	2x  Ø7x50 mm e1	8x  Ø6.3x13 mm e2	42x  Ø8x30 mm f1
4x  Ø6.5x40 mm f25	4x  Ø8x50 mm f6	2x  Ø6x30 mm f9	4x  k1	30x  1.4x20 mm l1	8x  l2	8x  l64	4x  80N m56/1	4x  m57/1
4x  m57/3	2x  Ø3.5x13 mm p1	10x  Ø3.5x12 mm p140	36x  Ø3.5x16 mm p38	20x  Ø3.5x13 mm p5	8x  Ø3.5x15 mm p51	18x  Ø15x12 mm #16 r1	4x  Ø12x10.5 mm #12 r15	22x  20/11 r42
2x  L=300 mm w211/1	2x  L=300 mm w211/2	2x  Ø16 s2	1x  4 mm z1	1x  n26/1				

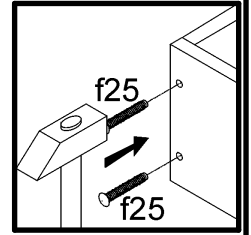
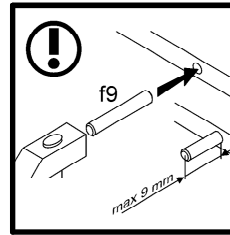
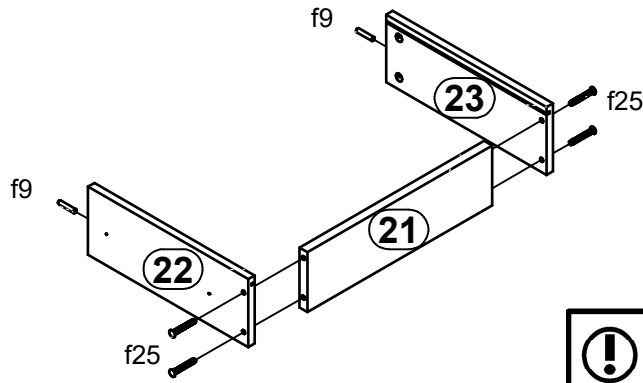
1 



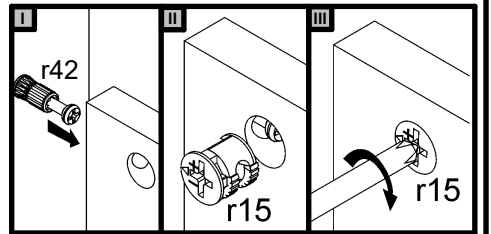
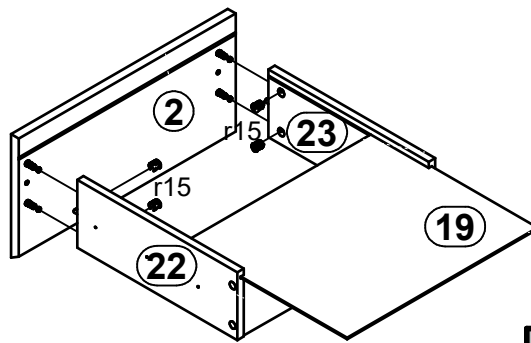
# 2



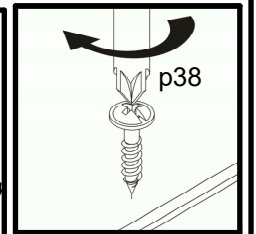
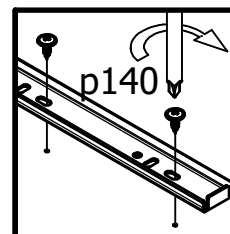
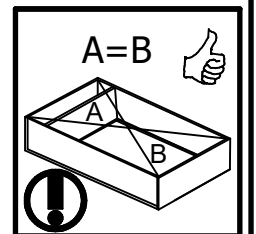
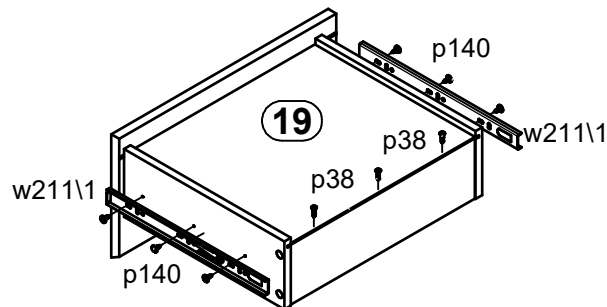
# 3



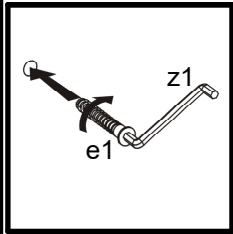
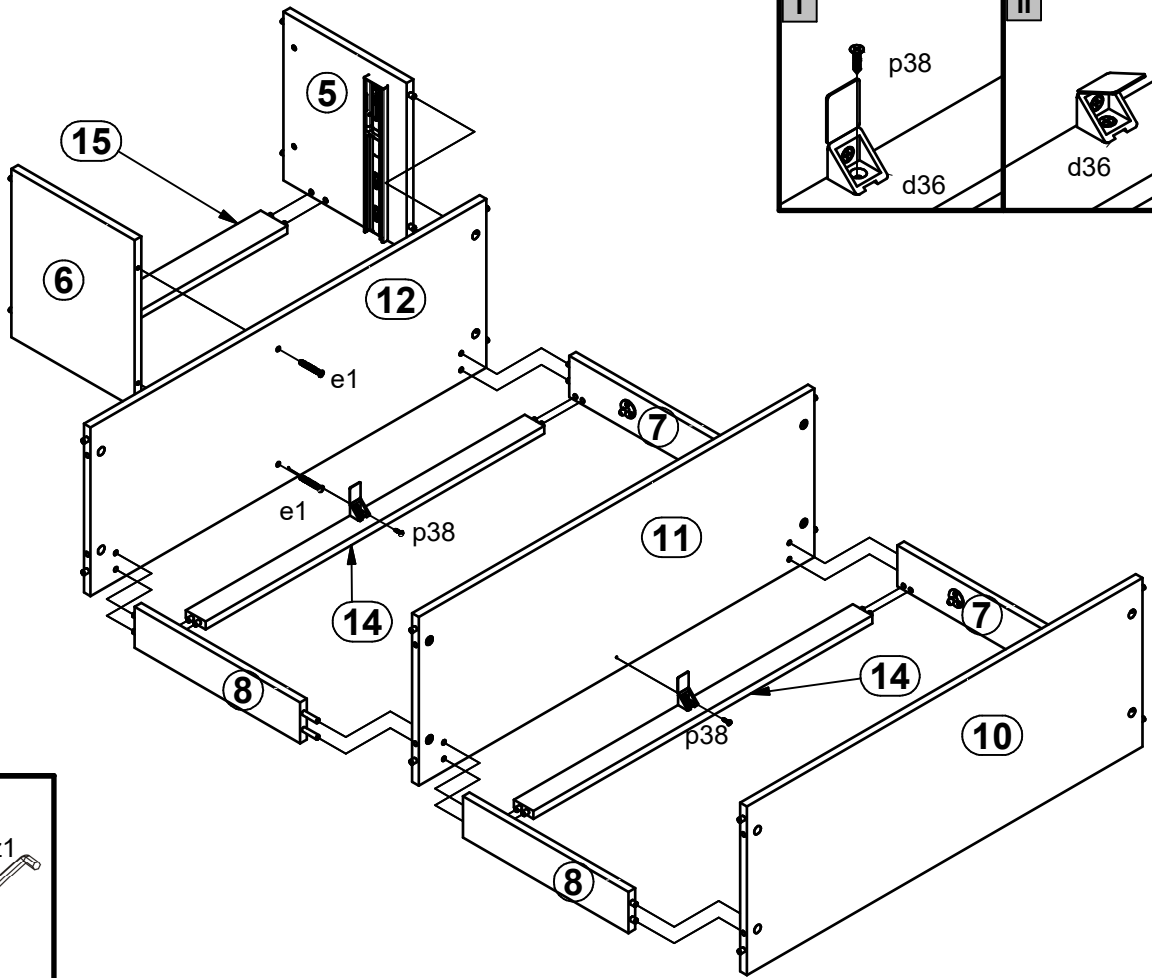
# 4



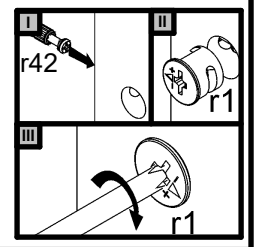
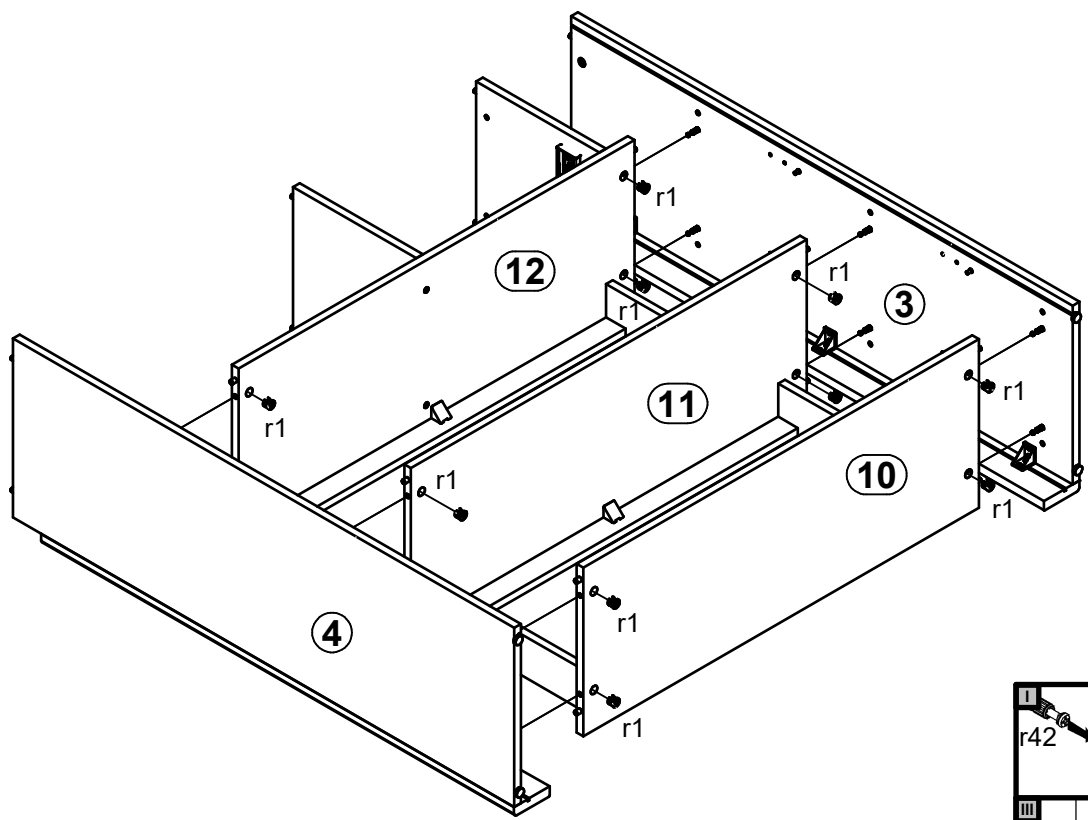
# 5



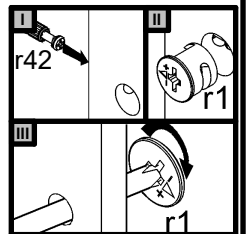
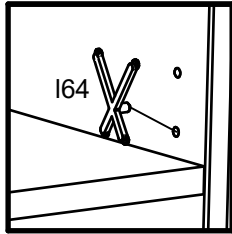
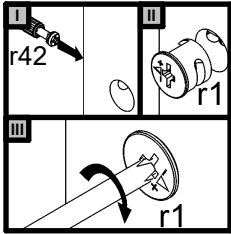
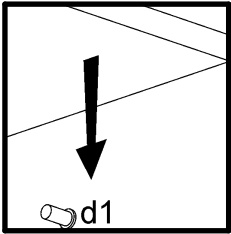
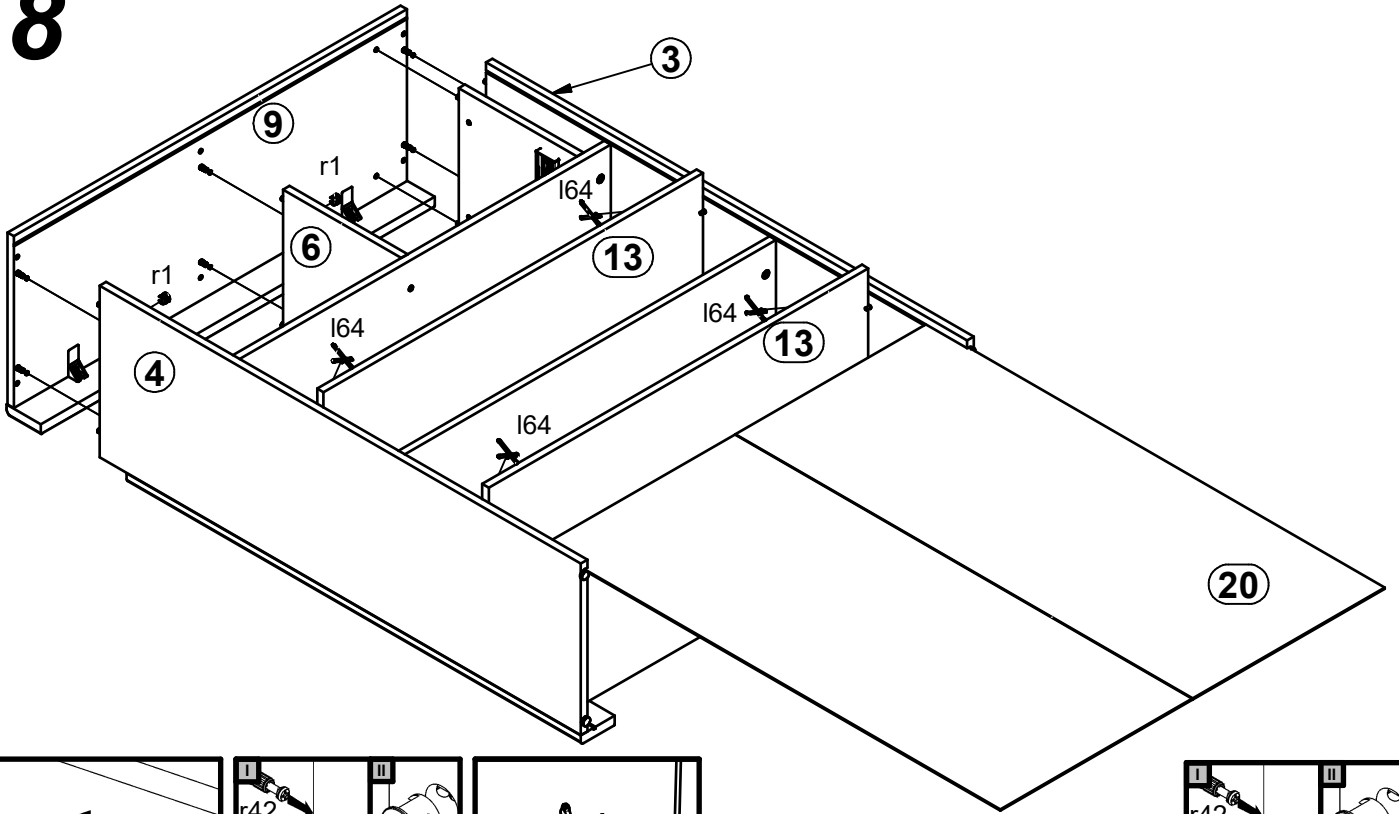
# 6



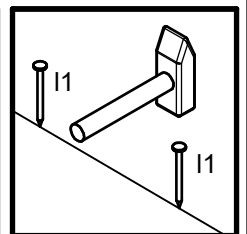
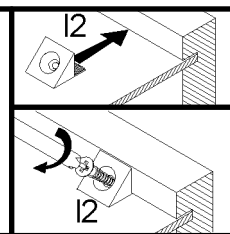
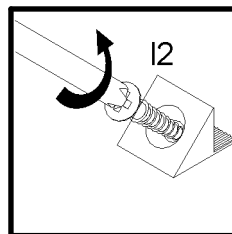
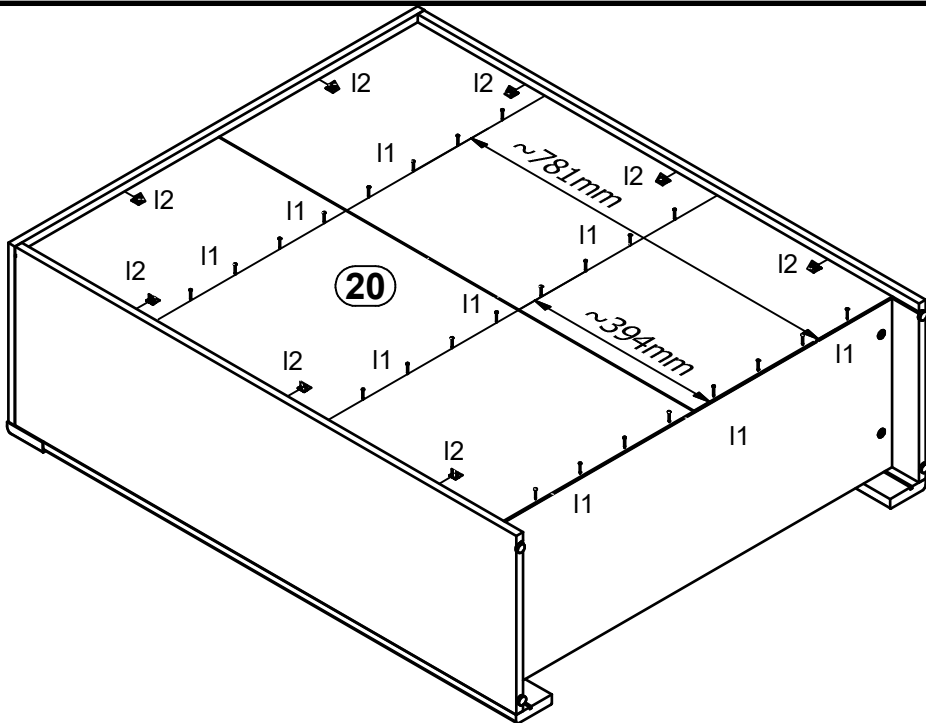
# 7



# 8



# 9



# 10

