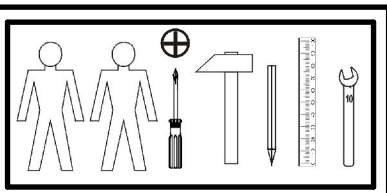
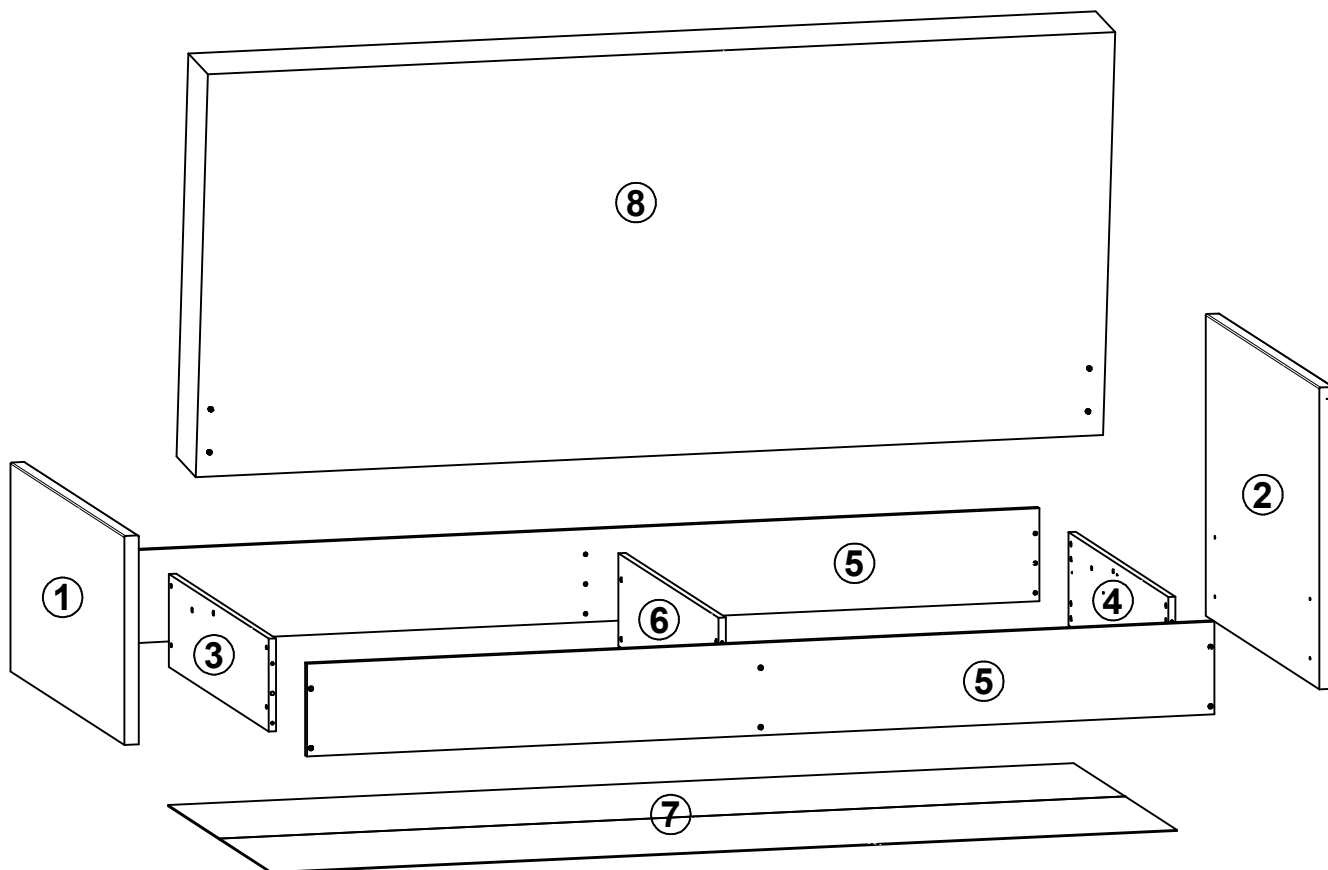
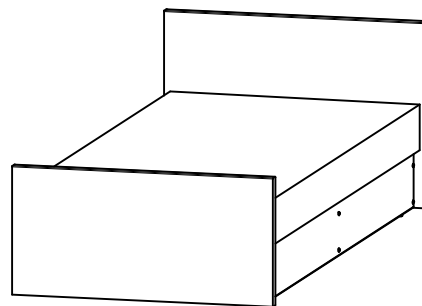
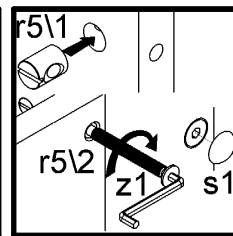
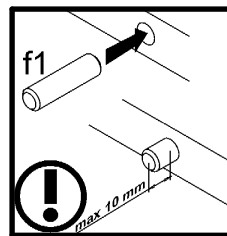
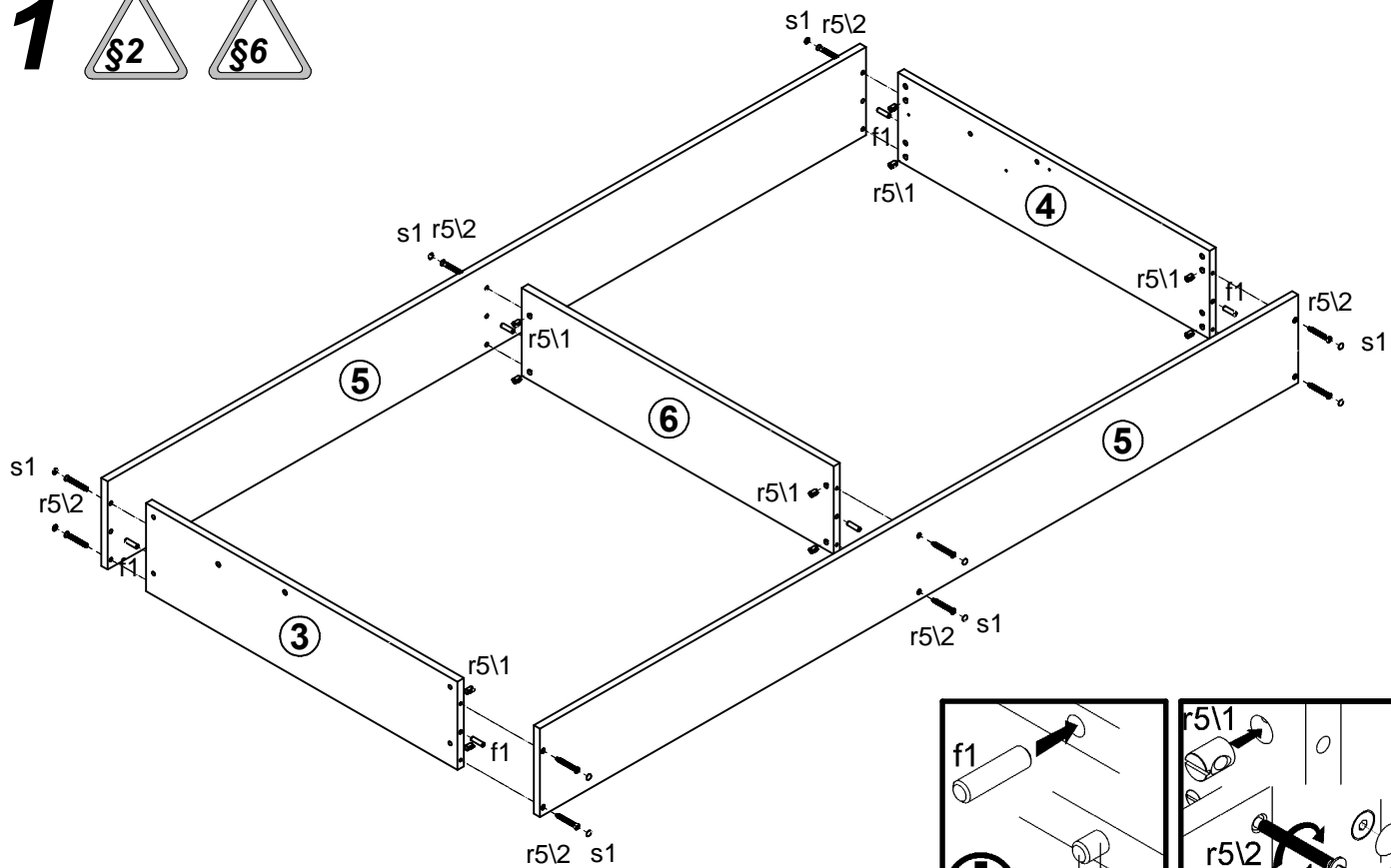


| A | B | C | D | |
|---|----------|------|-----|-----|
| 1 | S325-026 | 930 | 450 | 2/2 |
| 2 | S325-027 | 930 | 650 | 2/2 |
| 3 | S325-132 | 818 | 200 | 1/2 |
| 4 | S325-133 | 818 | 200 | 1/2 |
| 5 | S325-134 | 1990 | 200 | 1/2 |
| 6 | S325-135 | 818 | 200 | 1/2 |
| 7 | S325-923 | 1986 | 845 | 1/2 |
| 8 | materac | 1990 | 900 | |

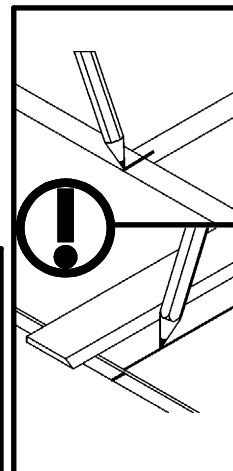
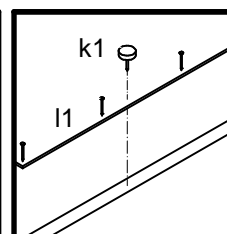
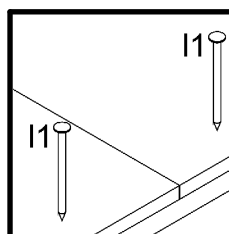
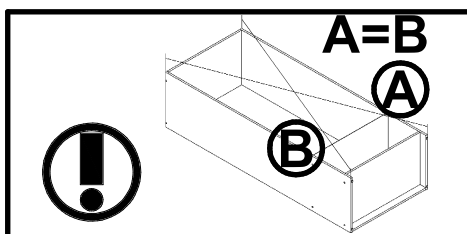
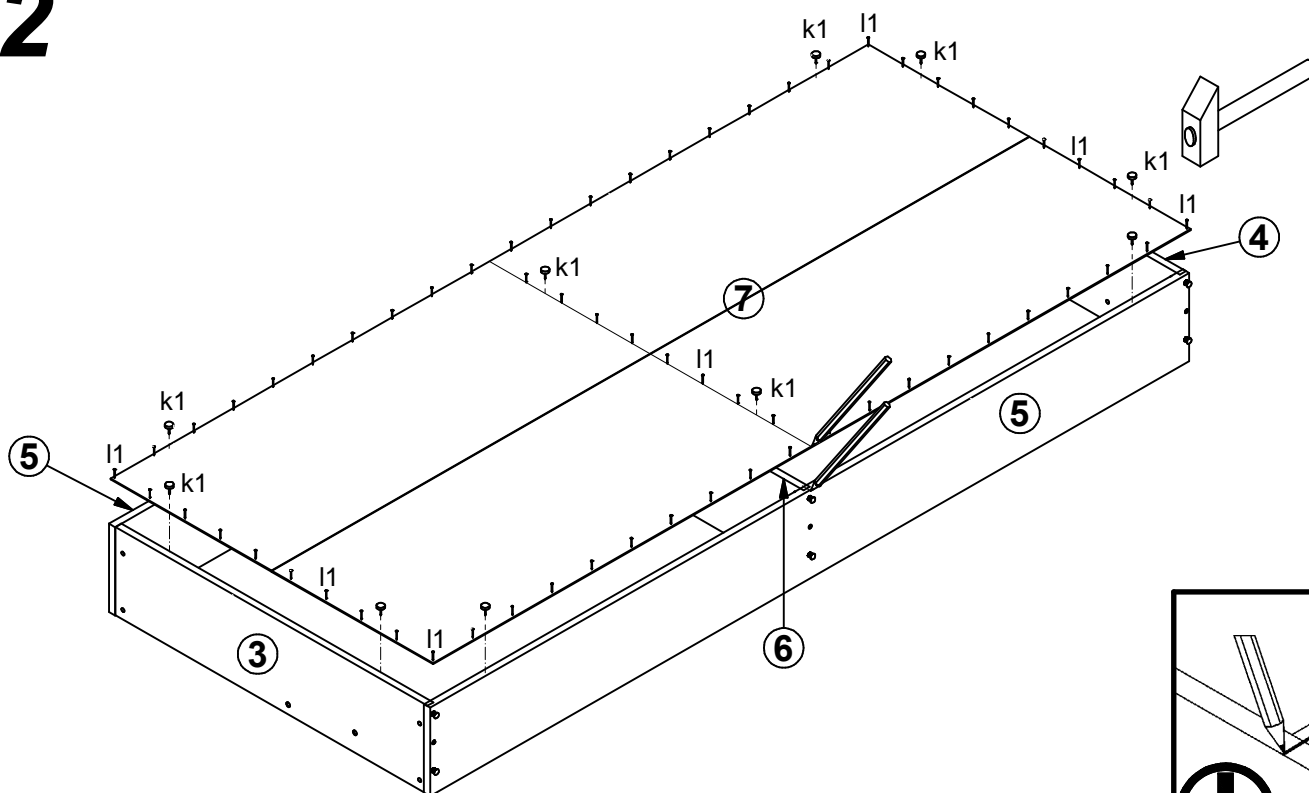


| | | | | | | | | |
|------------------------------|-----------------------------|--------------------------------|---------------------------------|--------------------------------|------------------|----------------------------|----------------------------|-----------------|
| 8x φ7x28 mm e22 | 6x φ8x30 mm f1 | 4x M6x30 mm j9 | 8x M6 j10 | 10x k1 | 70x l1 | 4x m28\1 | 1x m28\L | 1x z1 |
| 1x m28\P | 8x φ6 mm o6 | 6x Ø3,5x13 mm p27 | 12x φ10x13 mm r5\1 | 12x φ6x50 mm r5\2 | 12x s1 | 1x 395mm s7\L | 1x 395mm s7\P | |

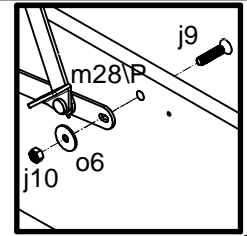
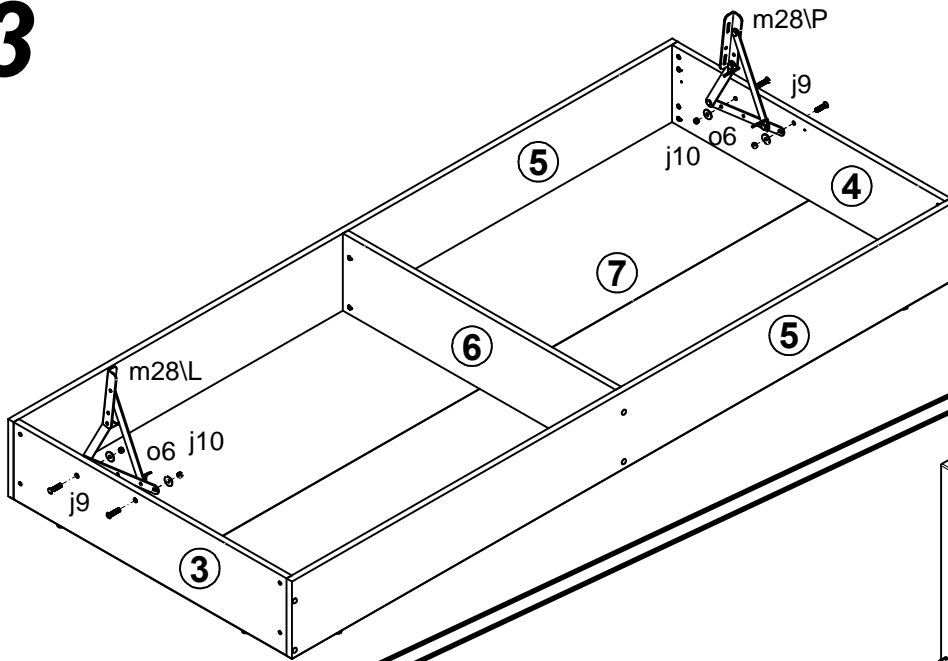
1



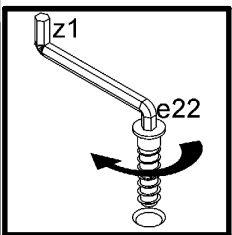
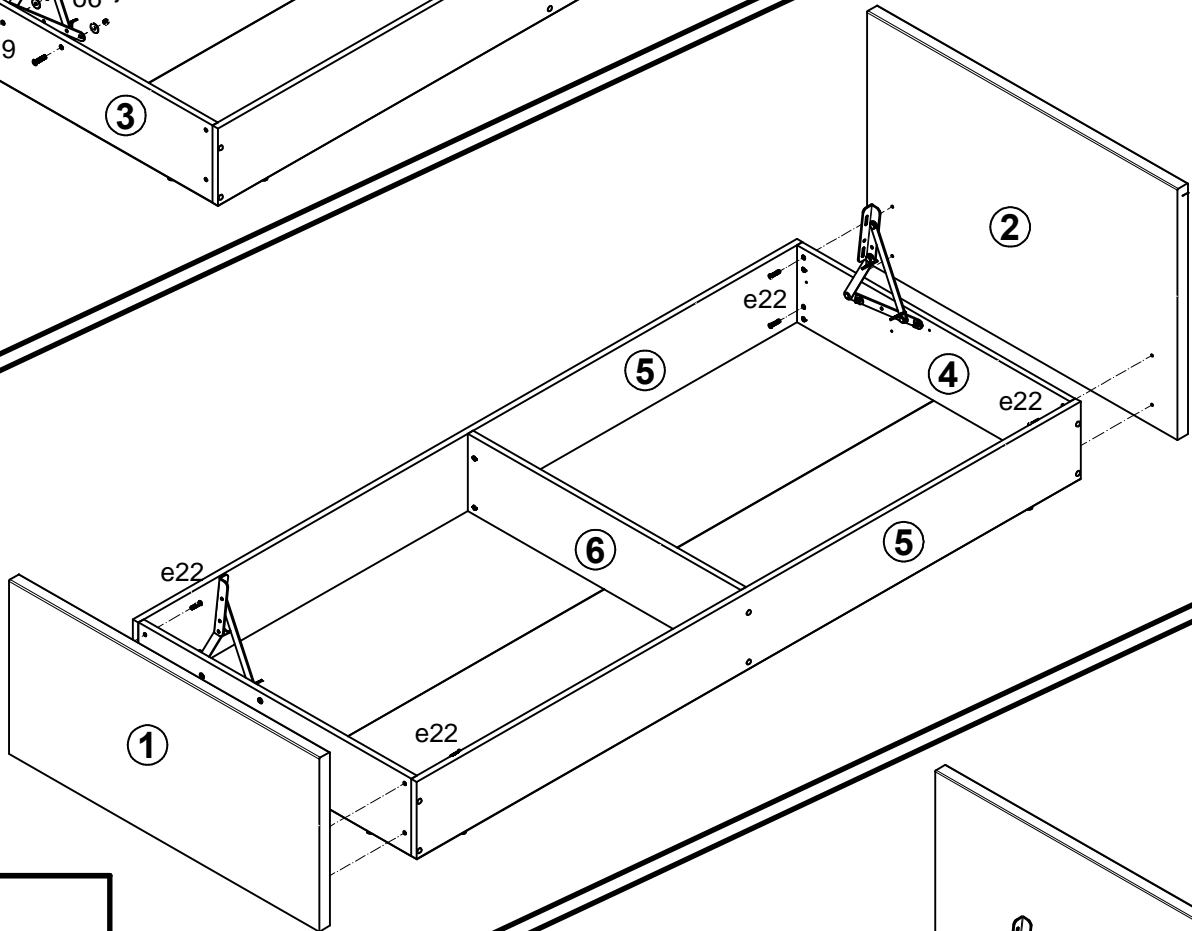
2



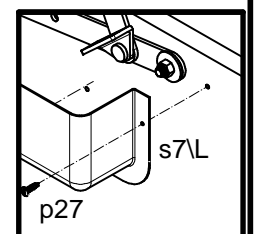
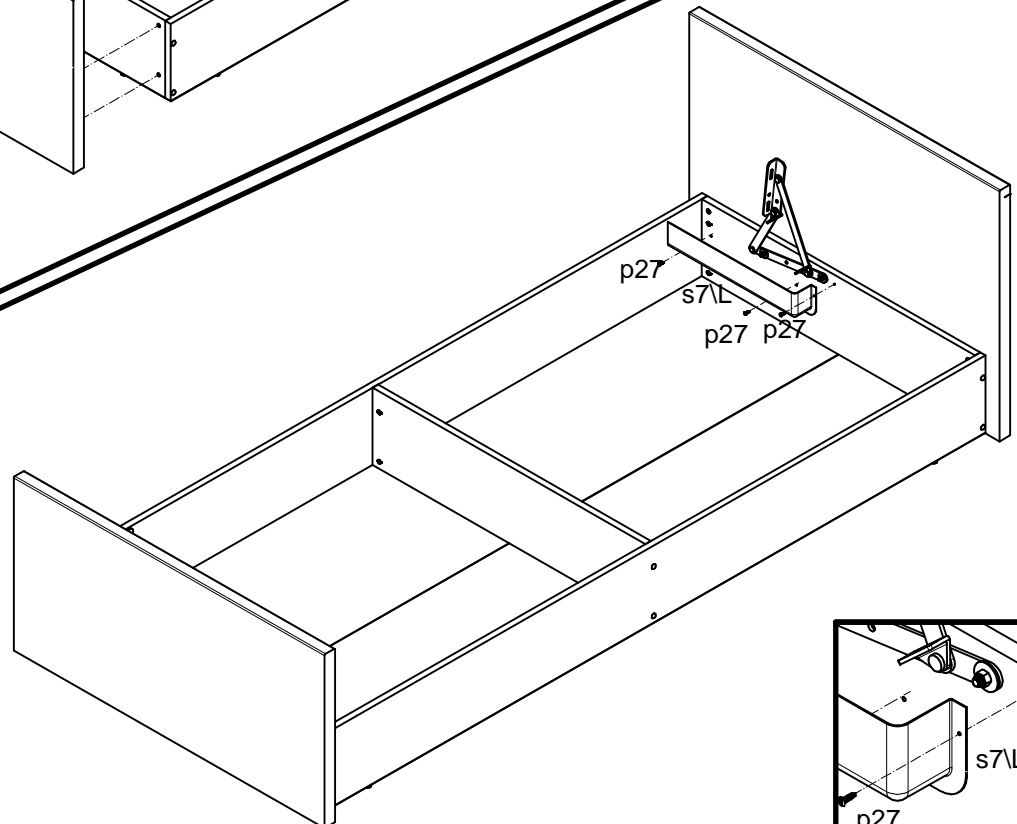
3



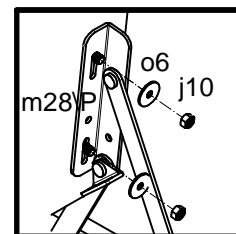
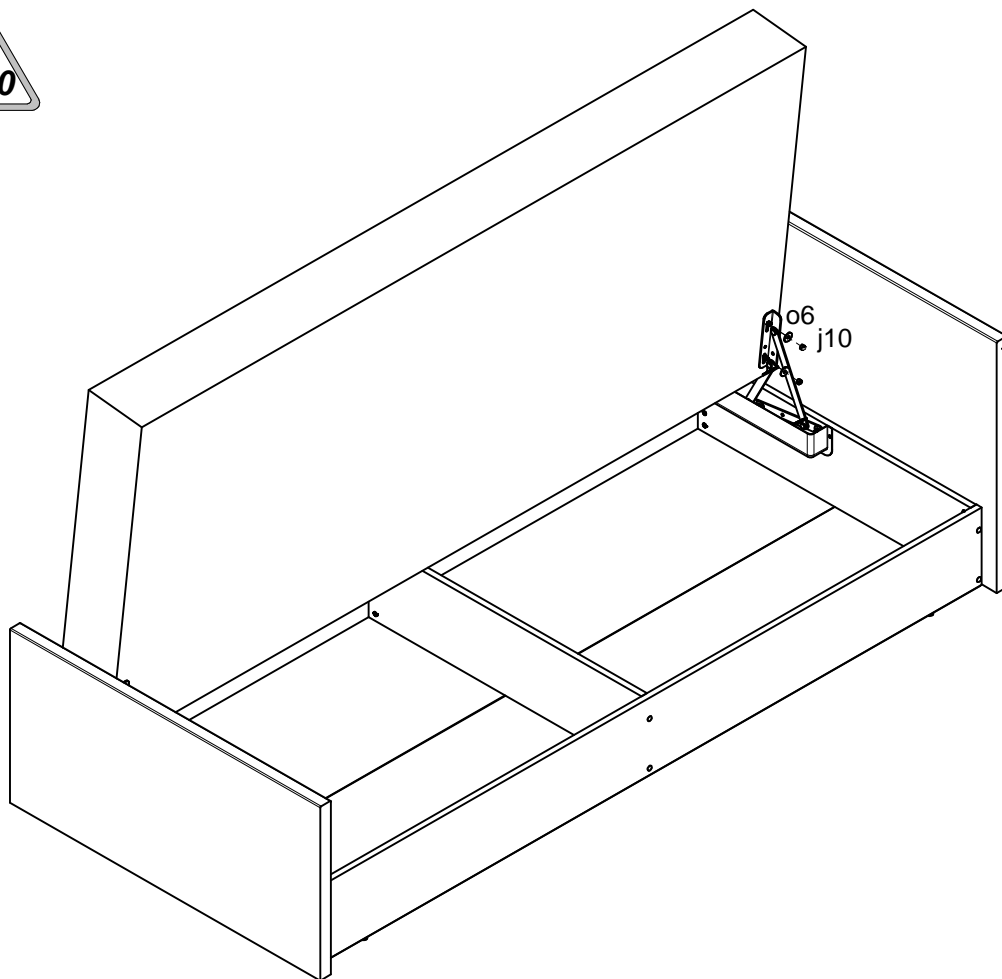
4



5



6



7

