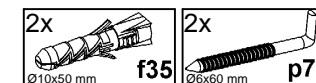
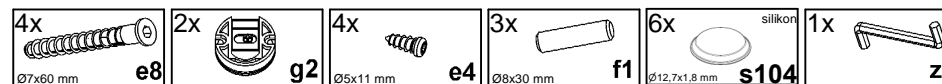
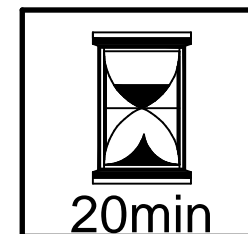
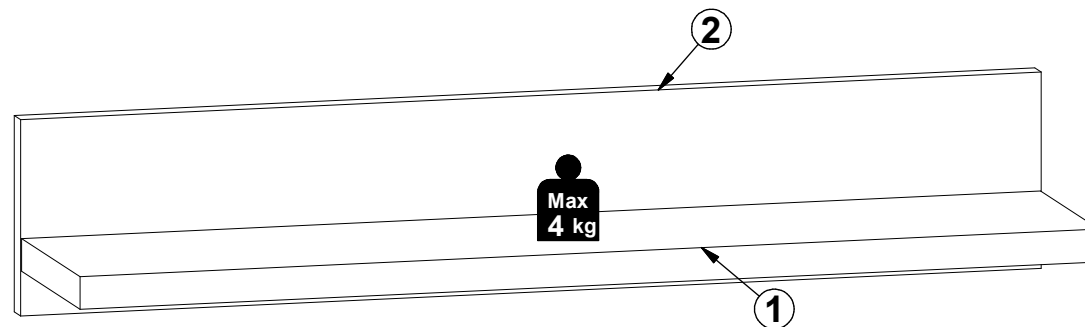


A	B	C (mm)		D
1	S182-3006	699	150	1/1
2	S182-4001	132	700	1/1

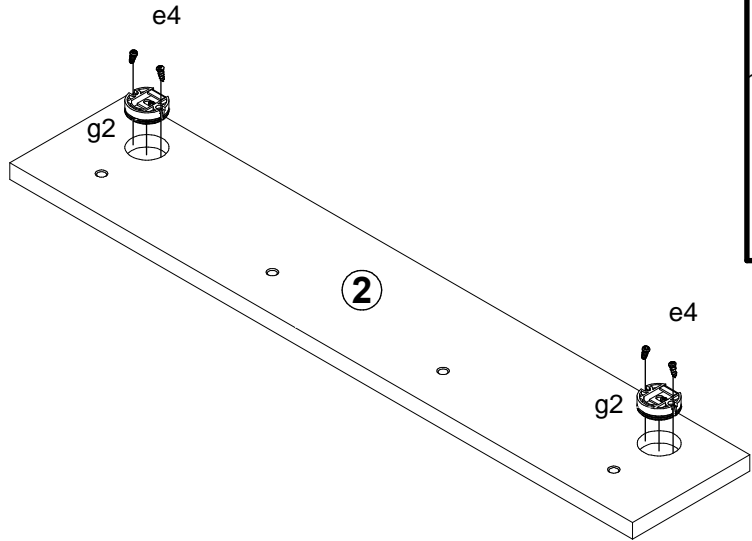
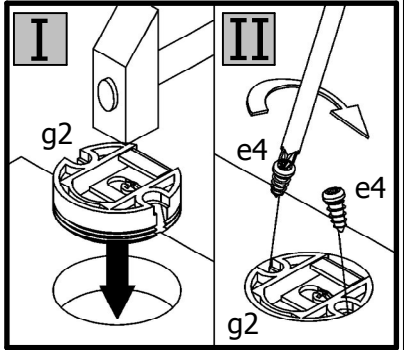
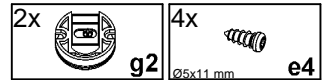
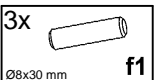
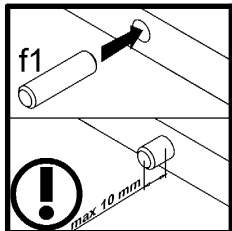
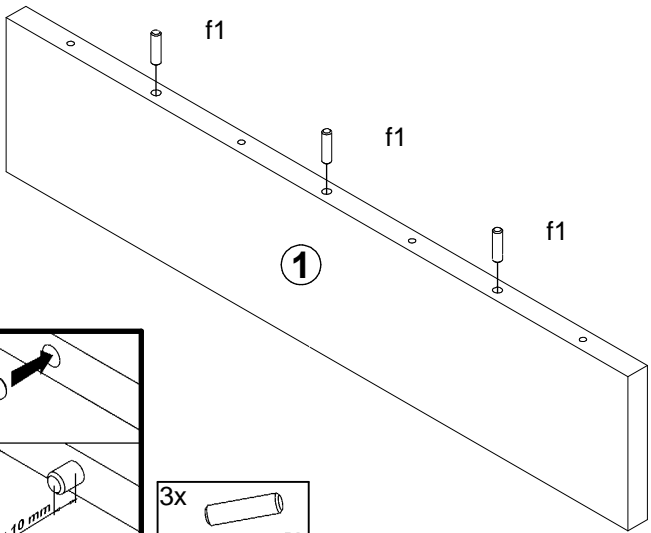


A

S182-P/1/7

3 / 4

1



2

