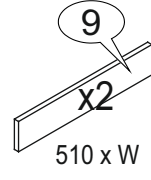
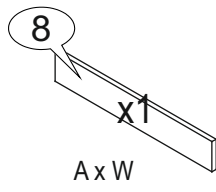
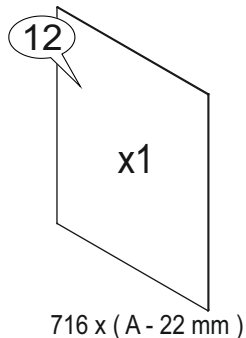
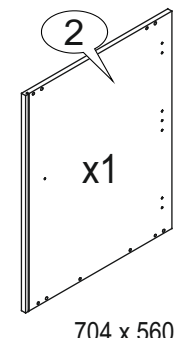
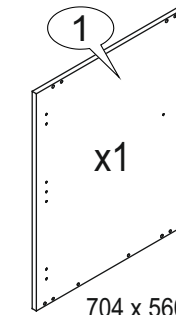
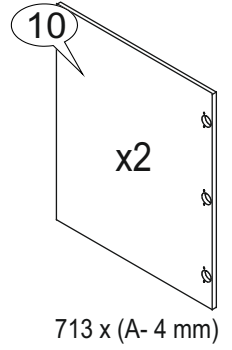
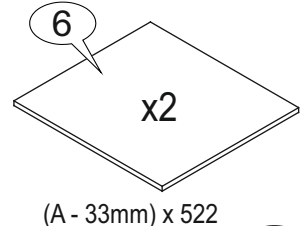
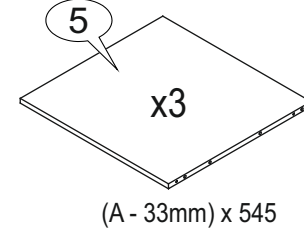
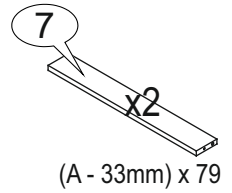
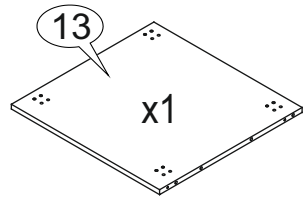
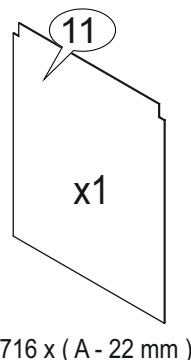
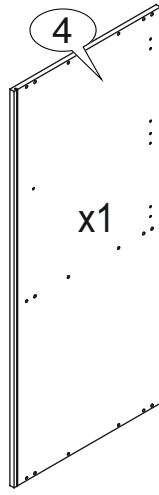
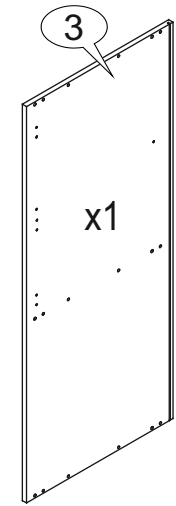
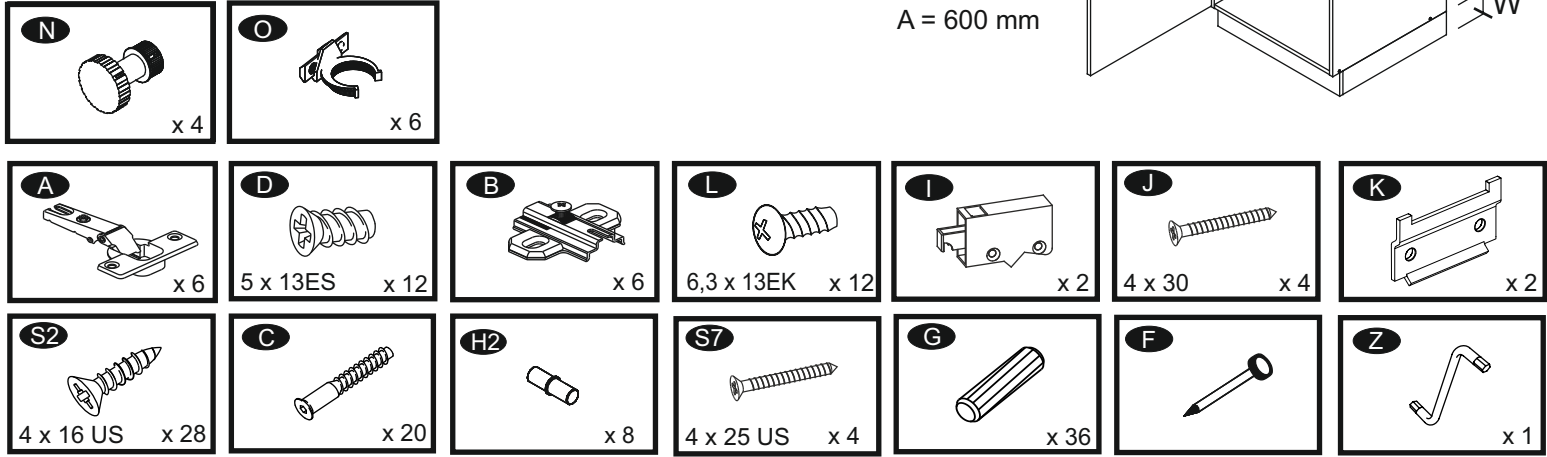
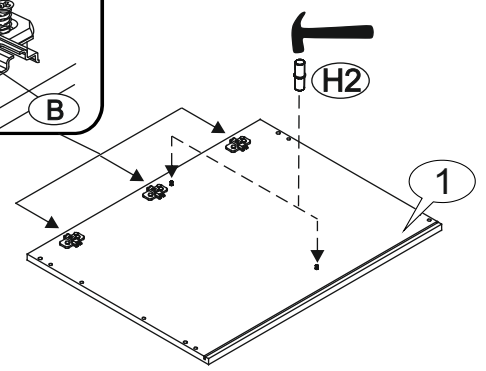
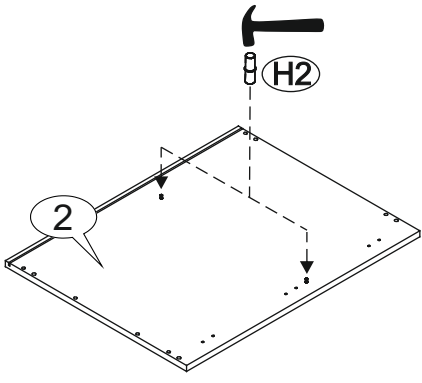
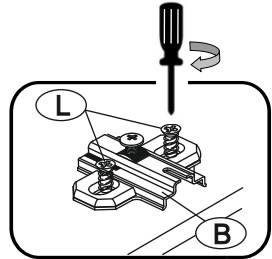
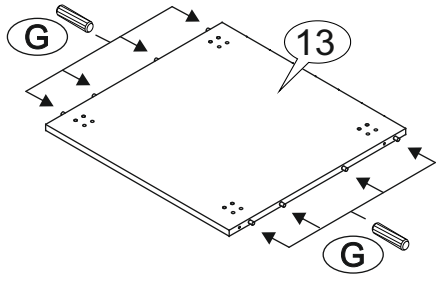
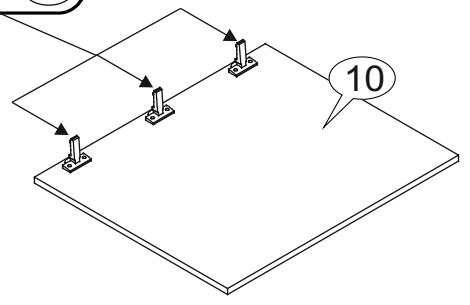
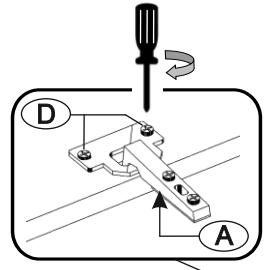
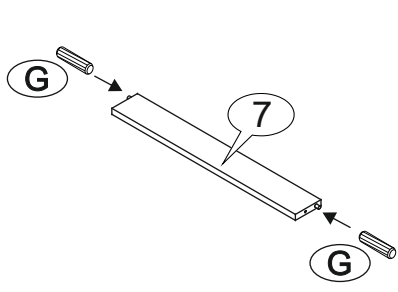
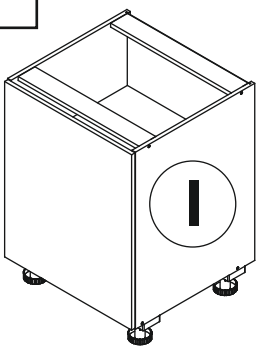


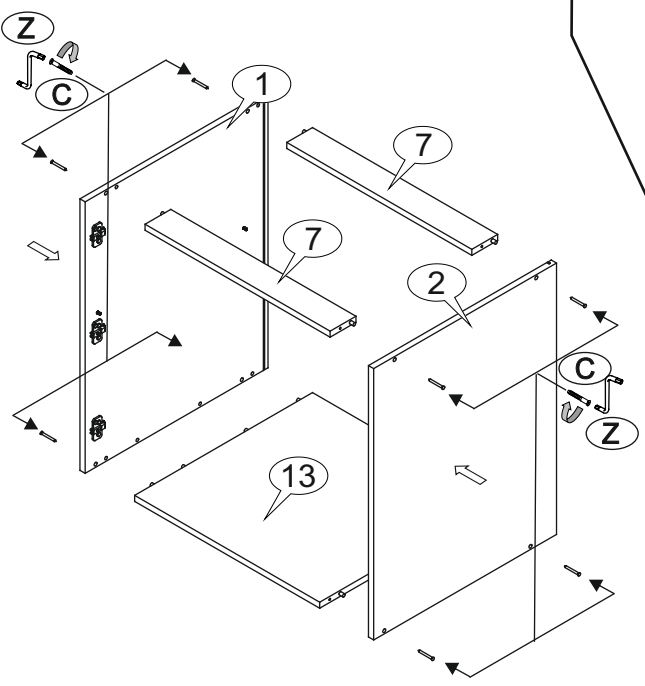
H = 2033 mm
 W = 100 mm
 W = 150 mm
 A = 600 mm



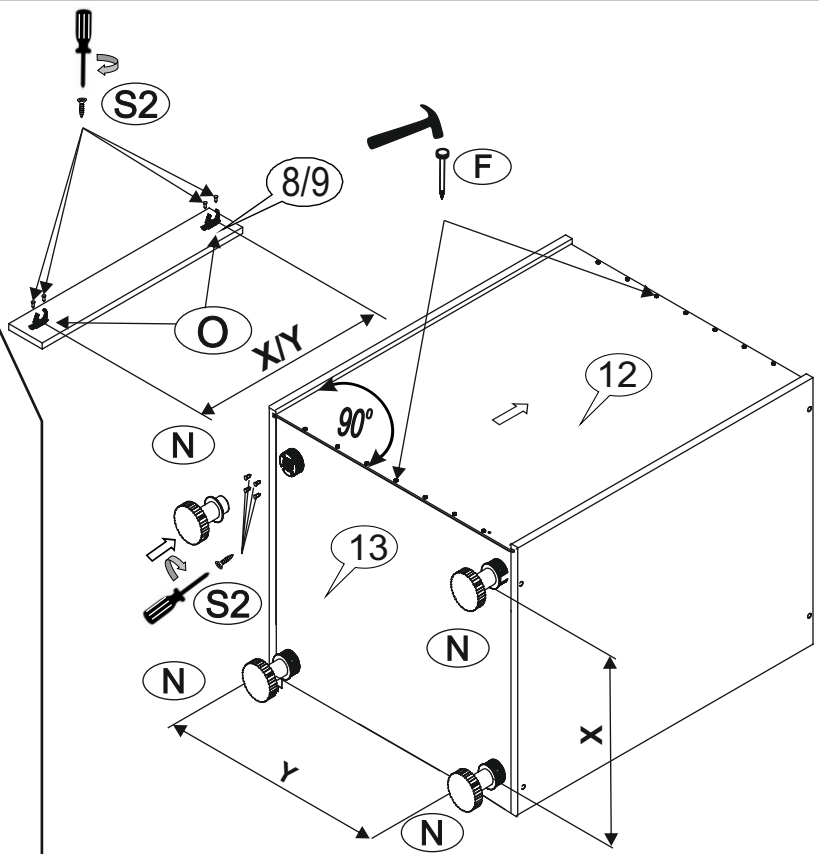
1



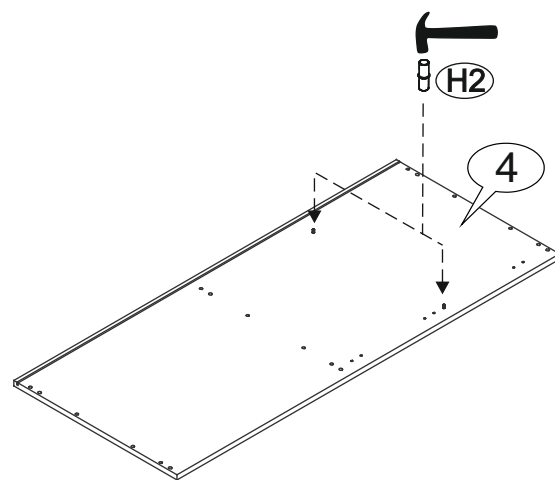
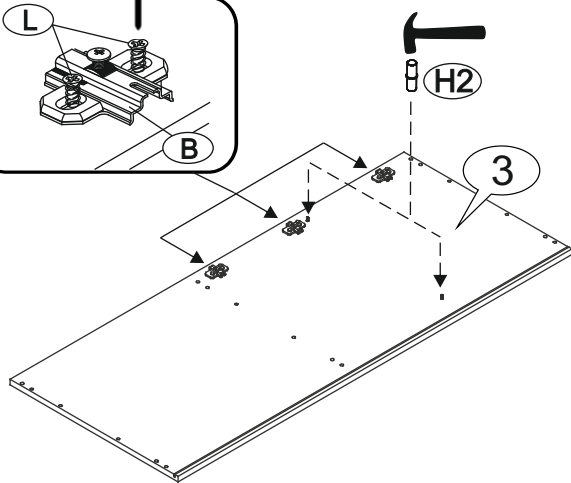
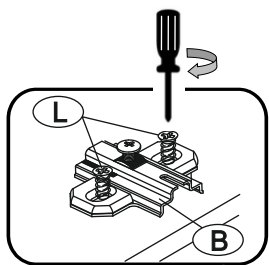
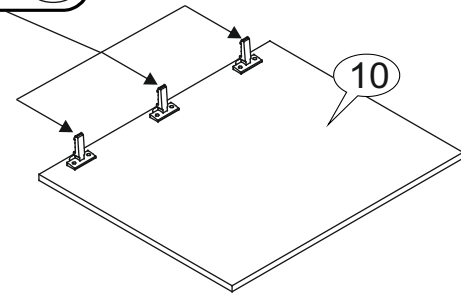
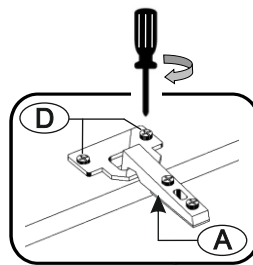
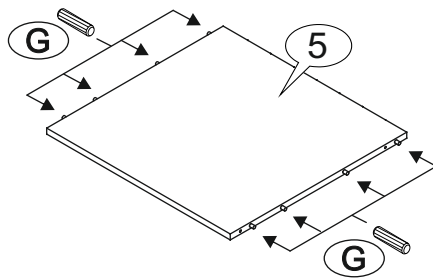
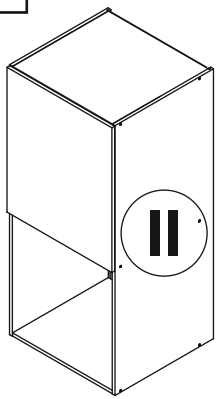
2



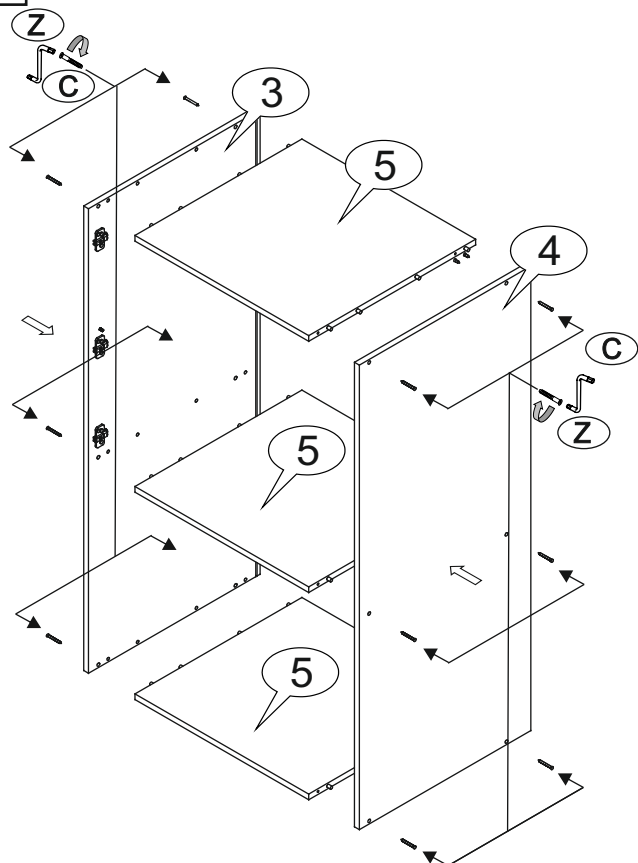
3



4



5



6

